



AT&T Response to Broward County RFP for Next Generation (NG911) Services

Final Evaluation Committee (EC) Meeting



13450 W SUNRISE BLVD, SUITE 400
SUNRISE, FL 33323

+1 954.806.2467
maruiz@att.com
www.business.att.com

December 16, 2025

Latoya Clark-Forbes
Purchasing Assistant Manager
Broward County
115 S. Andrews Avenue, Room 212
Fort Lauderdale, FL 33301

Dear Ms. Clark-Forbes and Members of the Evaluation Committee,

On behalf of the entire AT&T team, we appreciate the opportunity to participate in Broward County's Emergency Services Internet Protocol Network (ESInet) evaluation process. We are honored to present our comprehensive solution and look forward to demonstrating how AT&T ESInet can best serve the evolving public safety needs of your community.

Enclosed, please find our final presentation and supplemental electronic handouts in Adobe PDF format, as requested. These materials are prepared in accordance with the guidelines and requirements outlined in your recent correspondence. Specifically, our submission includes:

- **Architecture Diagrams** illustrating the detailed call flow for voice, text-to-911, and multimedia emergency communications, with step-by-step walkthroughs for the Committee.
- **Overview of Alternate Routing** mechanisms, addressing scenarios such as point of interconnection failure, data center failure, network provider failure, and portal failure, to ensure resilient and uninterrupted emergency response.
- **Deployment Maps** by U.S. County, including total deployment counts by state. These maps differentiate between implemented solutions and those in progress, with specific reference to deployments featuring VIPER 7 Call Handling Equipment.
- **Pricing Confirmation** – AT&T affirms that our submitted pricing encompasses all requirements as specified in the Statement of Work.

We recognize the critical nature of Broward County's Next Generation 9-1-1 initiatives and are committed to delivering a secure, scalable, and future-ready ESInet solution. Our team is prepared to address your questions and provide any clarifications during the presentation and subsequent Q&A session.

Thank you for your consideration. We look forward to engaging with the Evaluation Committee on December 18th and supporting Broward County's mission to enhance public safety communications for all residents and visitors.

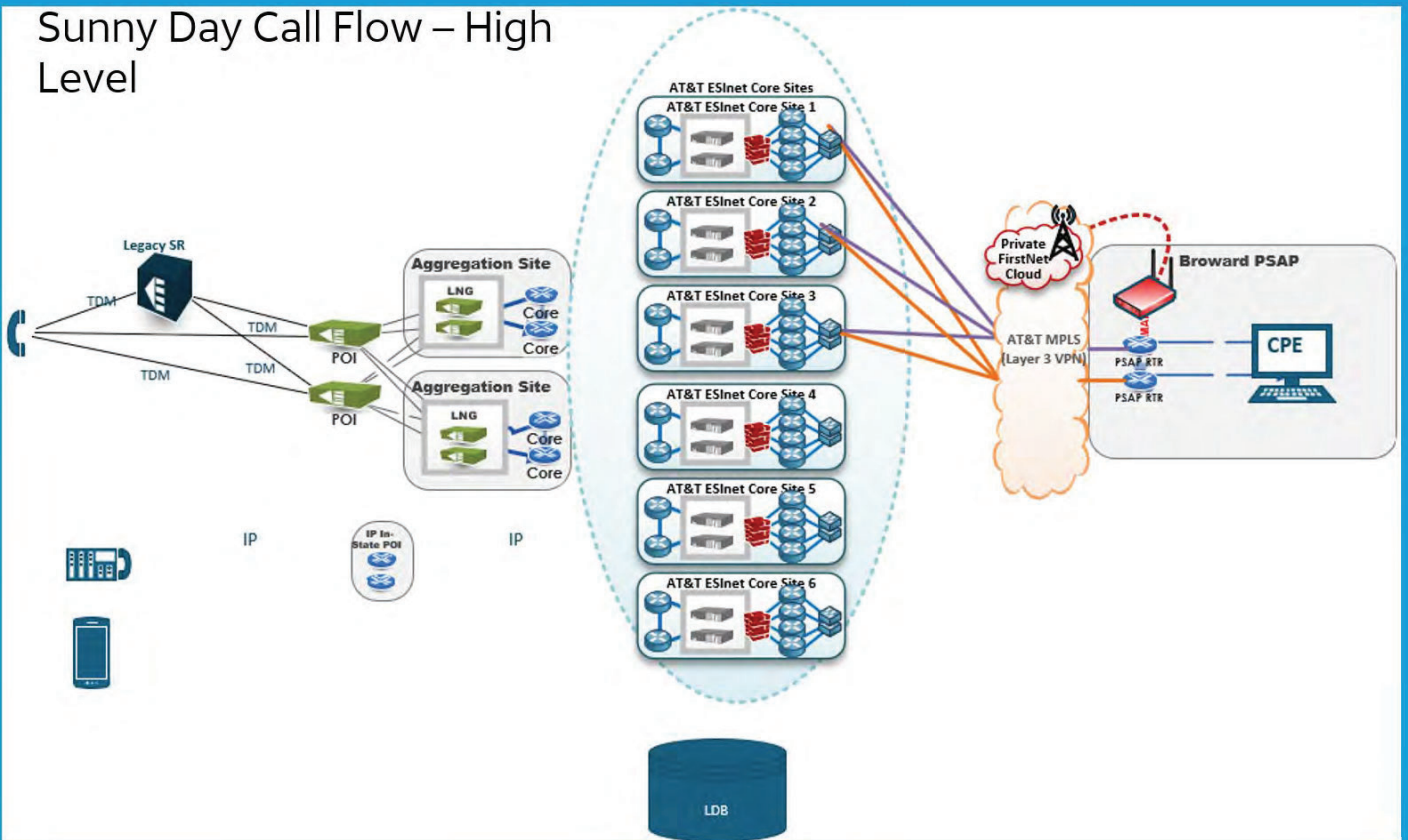
Sincerely,

Erik Lindborg

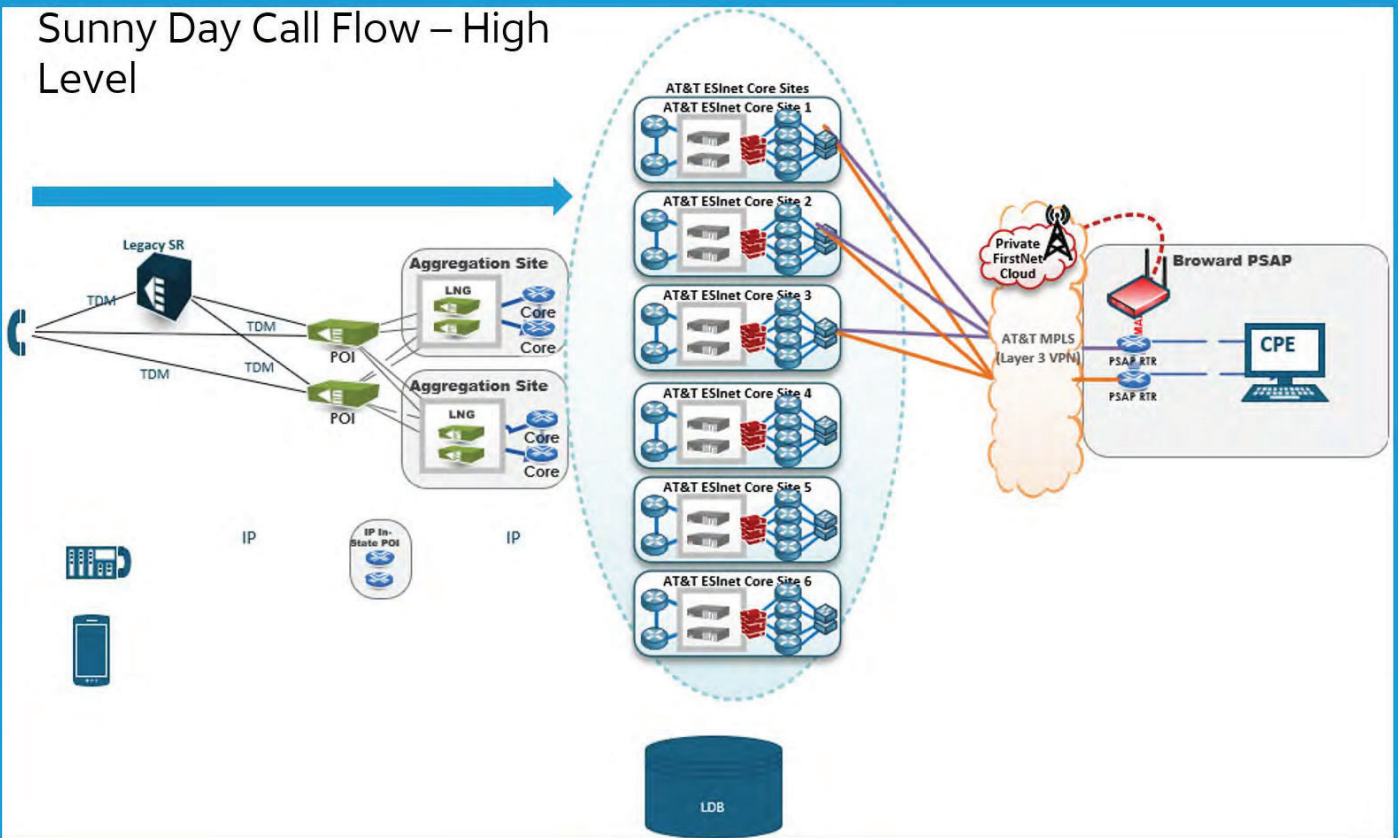
Area Vice President

AT&T ESInet™ Architecture Diagrams Sunny Day Call Flow

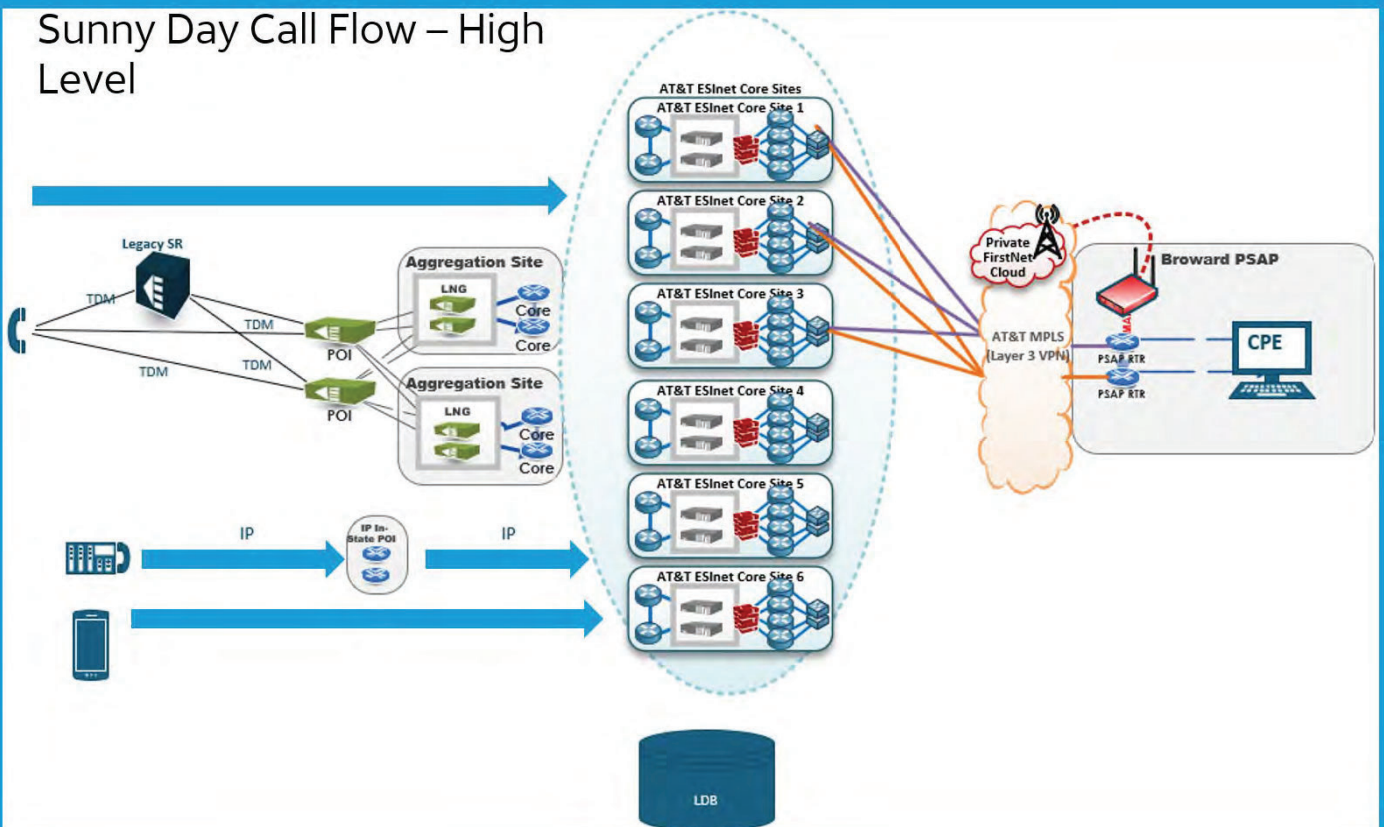
Sunny Day Call Flow – High Level



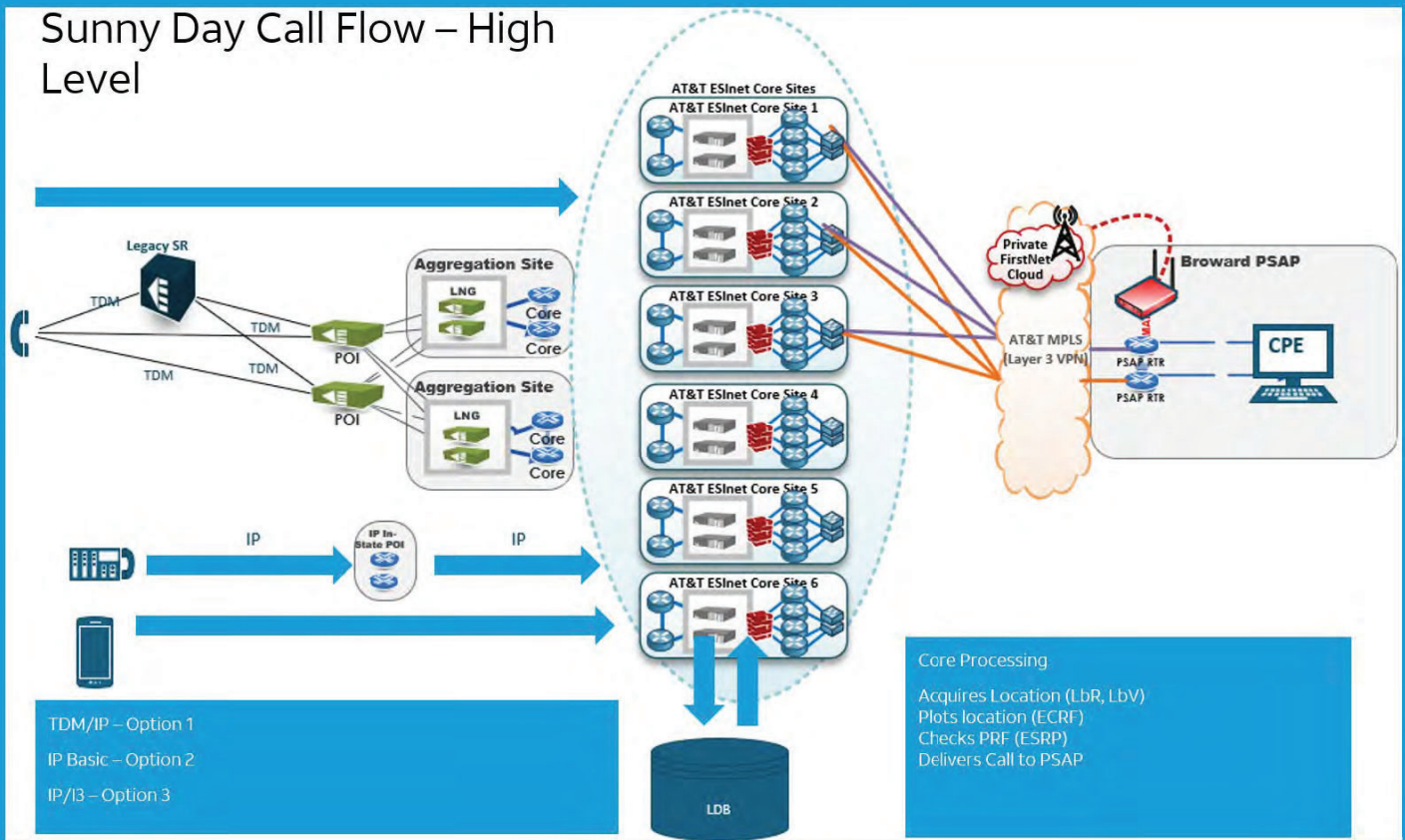
Sunny Day Call Flow – High Level



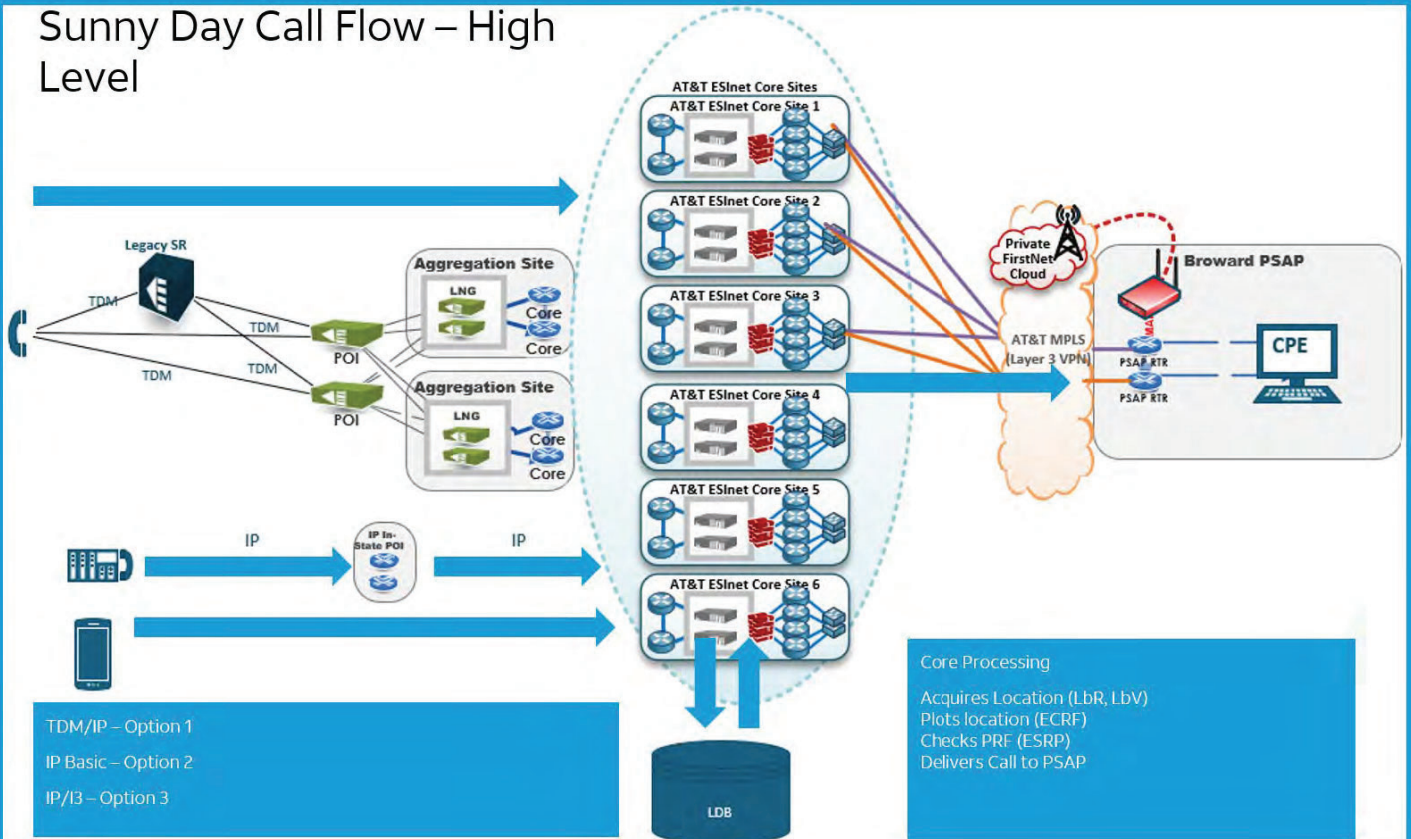
Sunny Day Call Flow – High Level



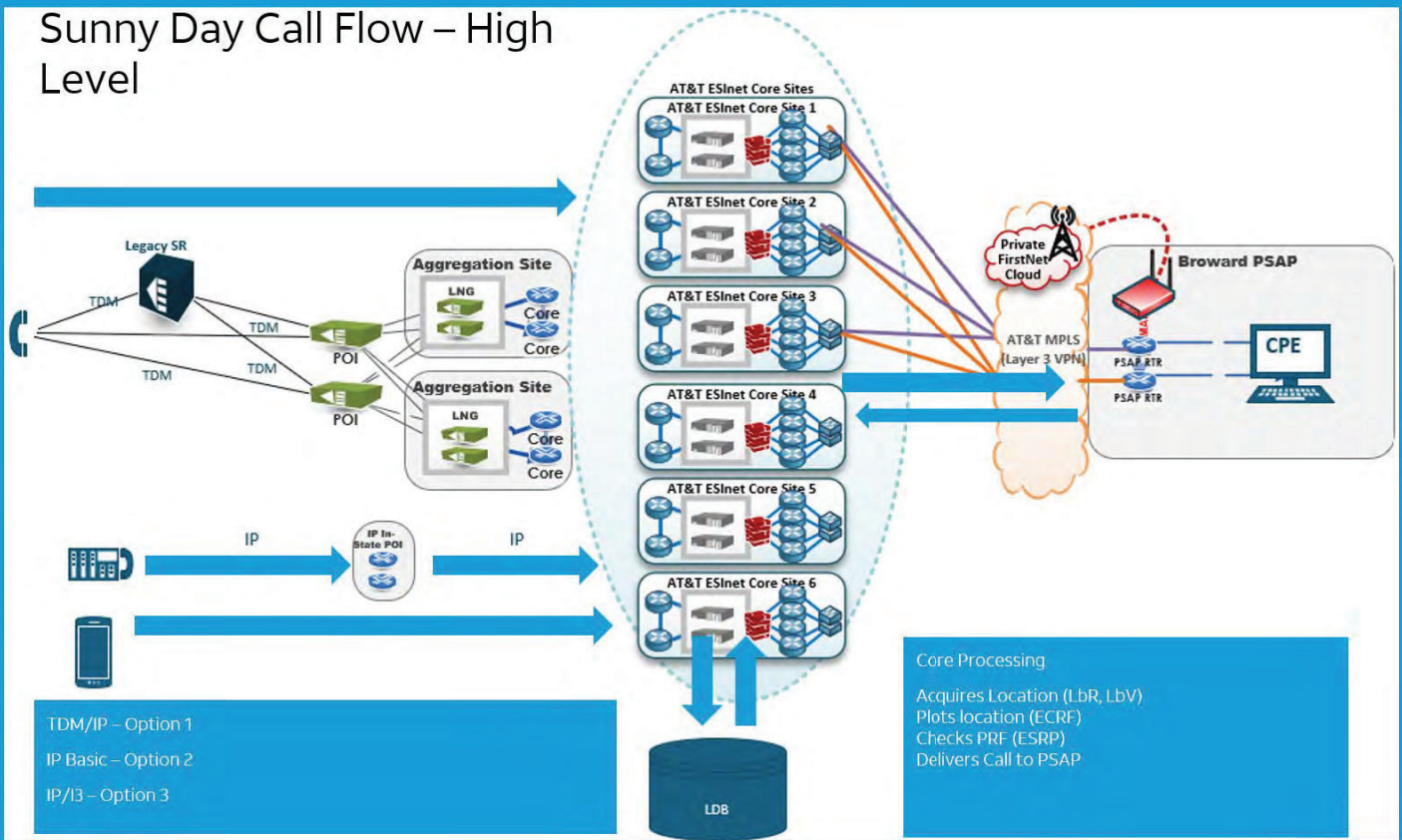
Sunny Day Call Flow – High Level



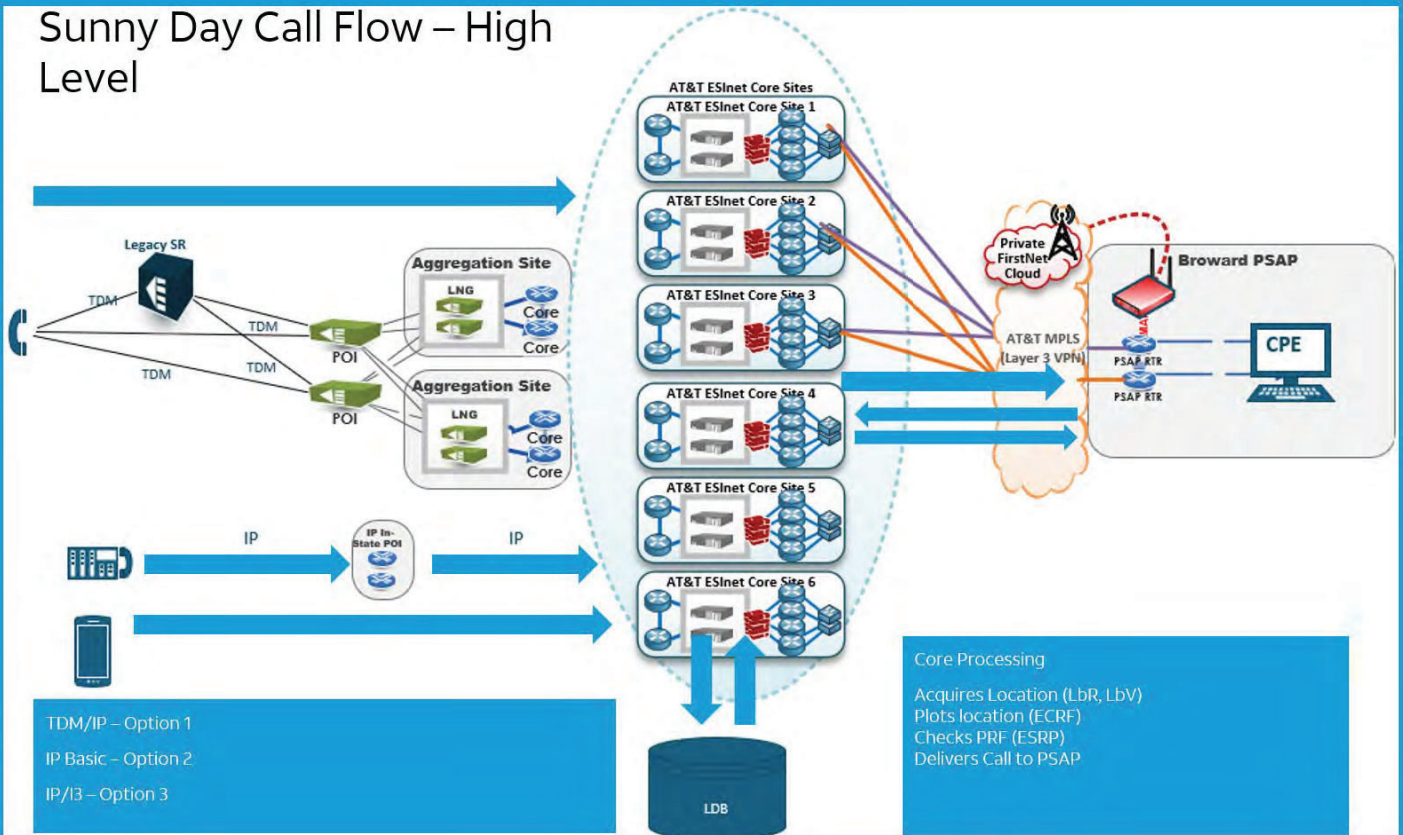
Sunny Day Call Flow – High Level



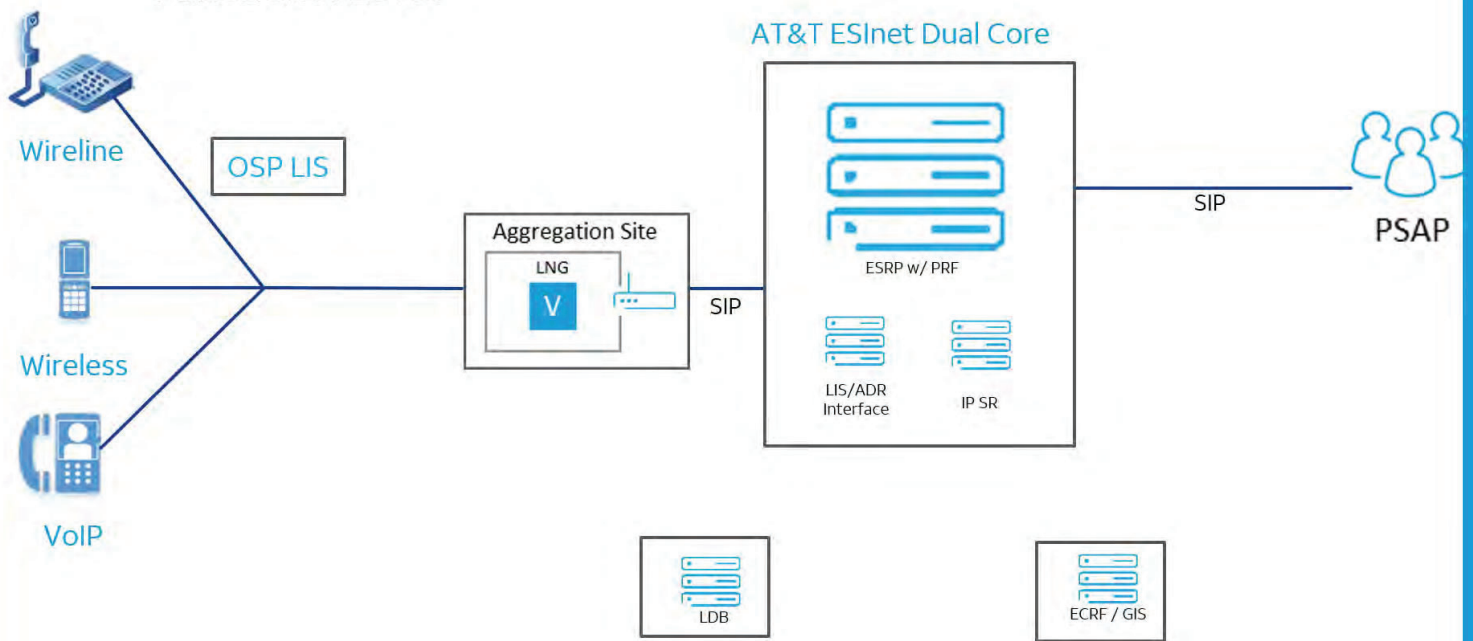
Sunny Day Call Flow – High Level



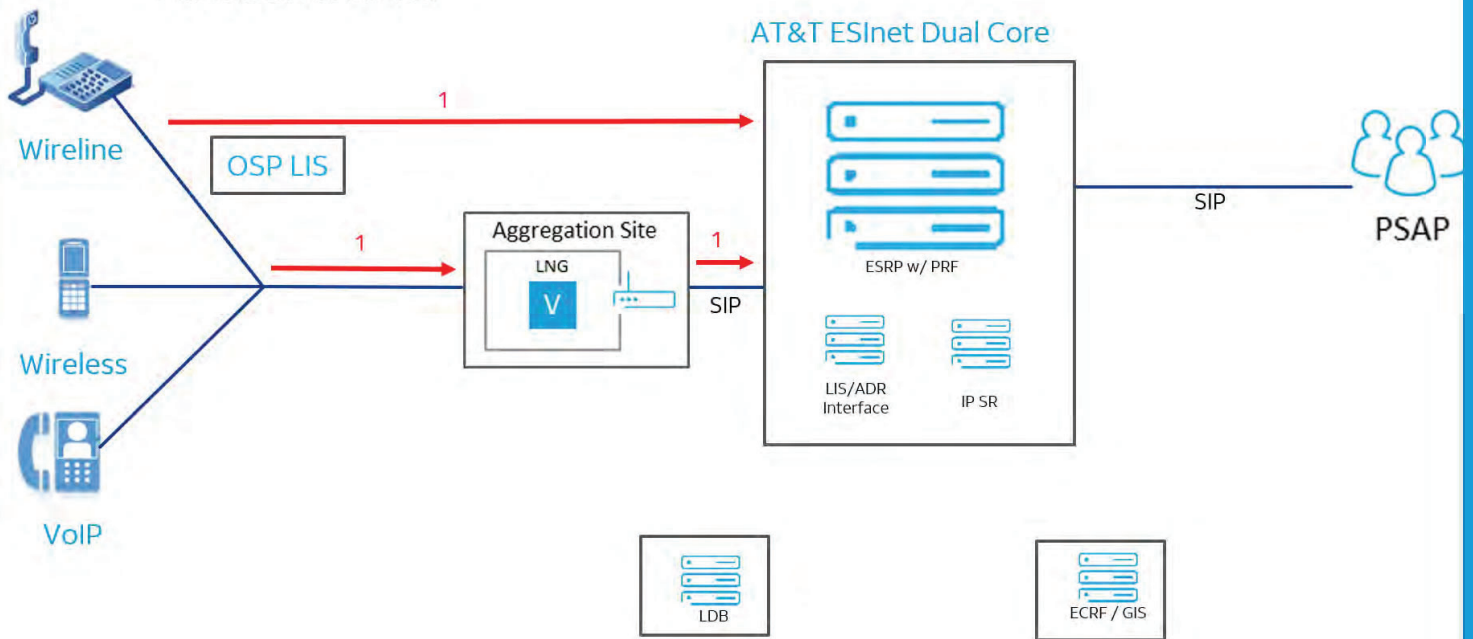
Sunny Day Call Flow – High Level



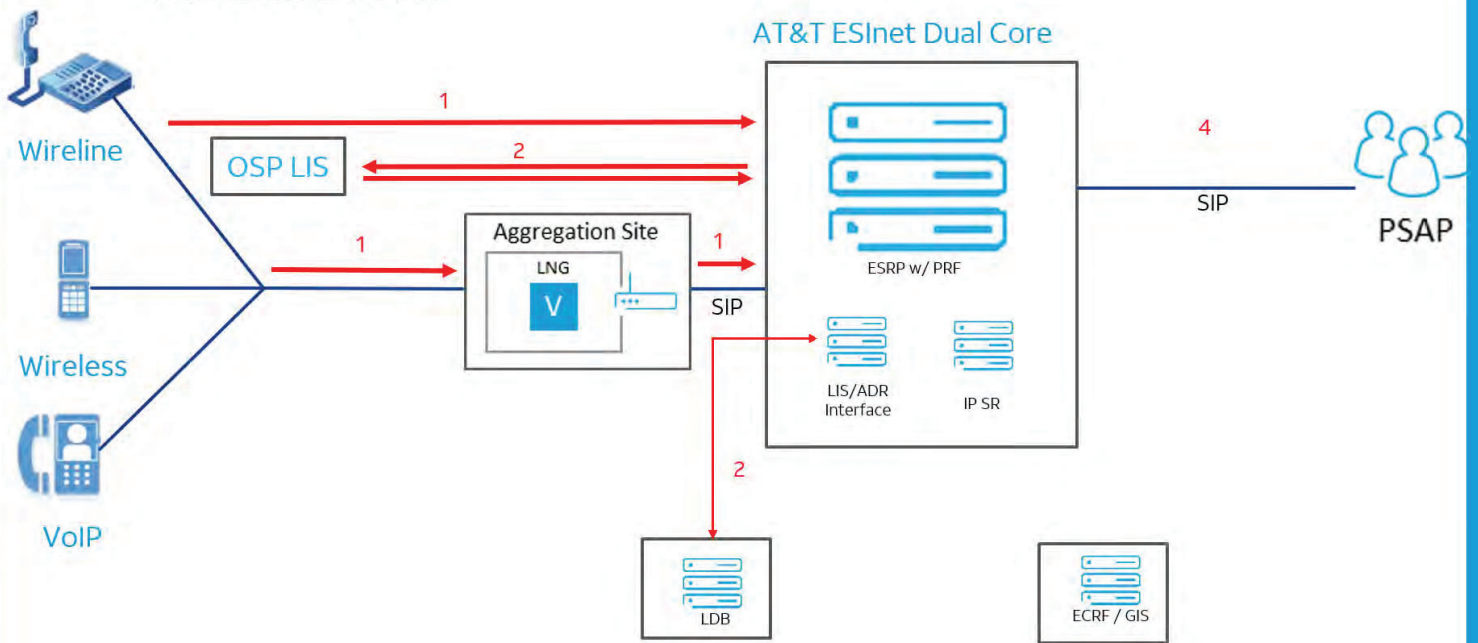
Sunny Day Call Flow – Functional Level



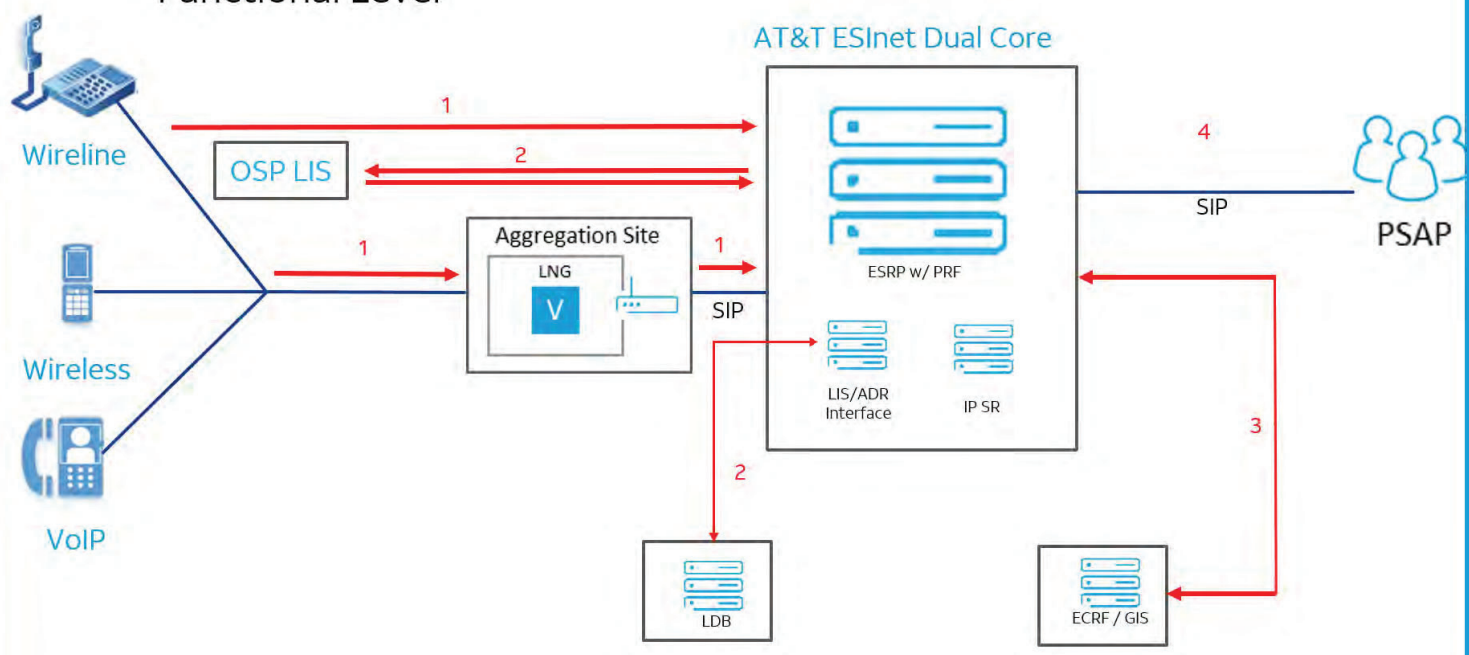
Sunny Day Call Flow – Functional Level



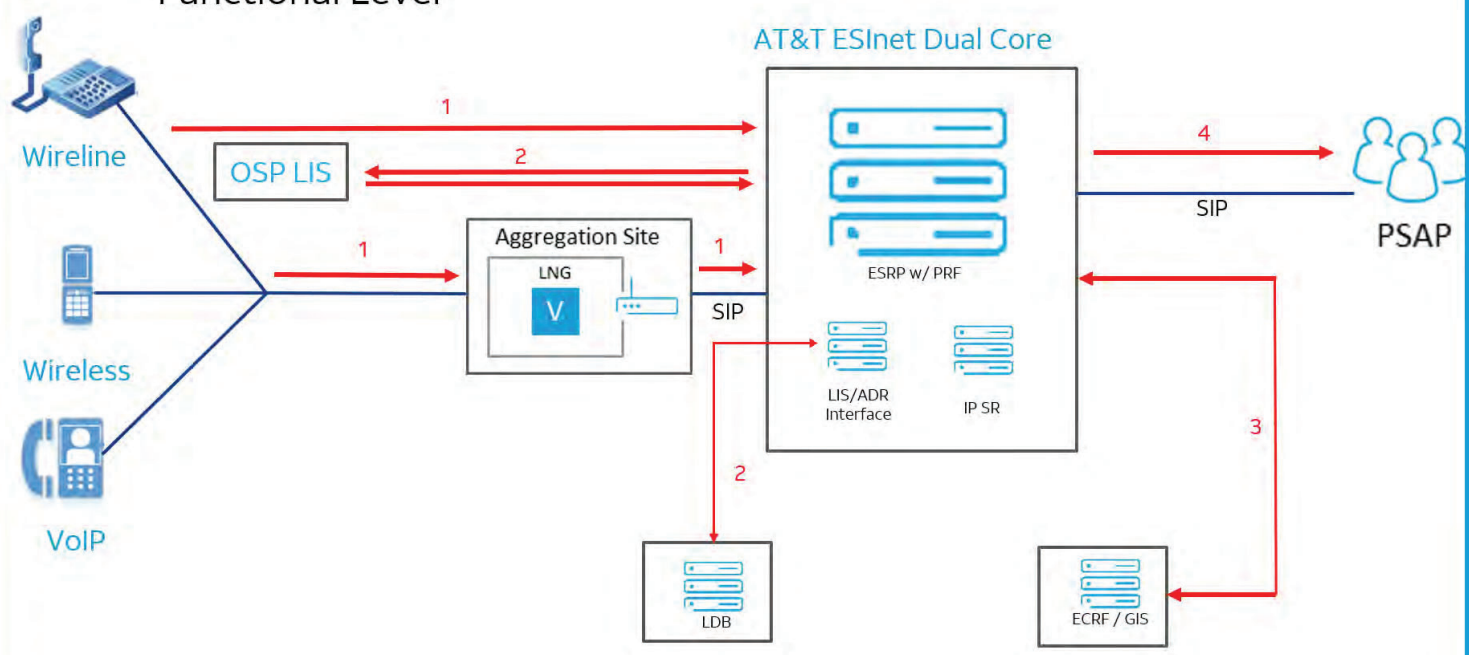
Sunny Day Call Flow – Functional Level



Sunny Day Call Flow – Functional Level

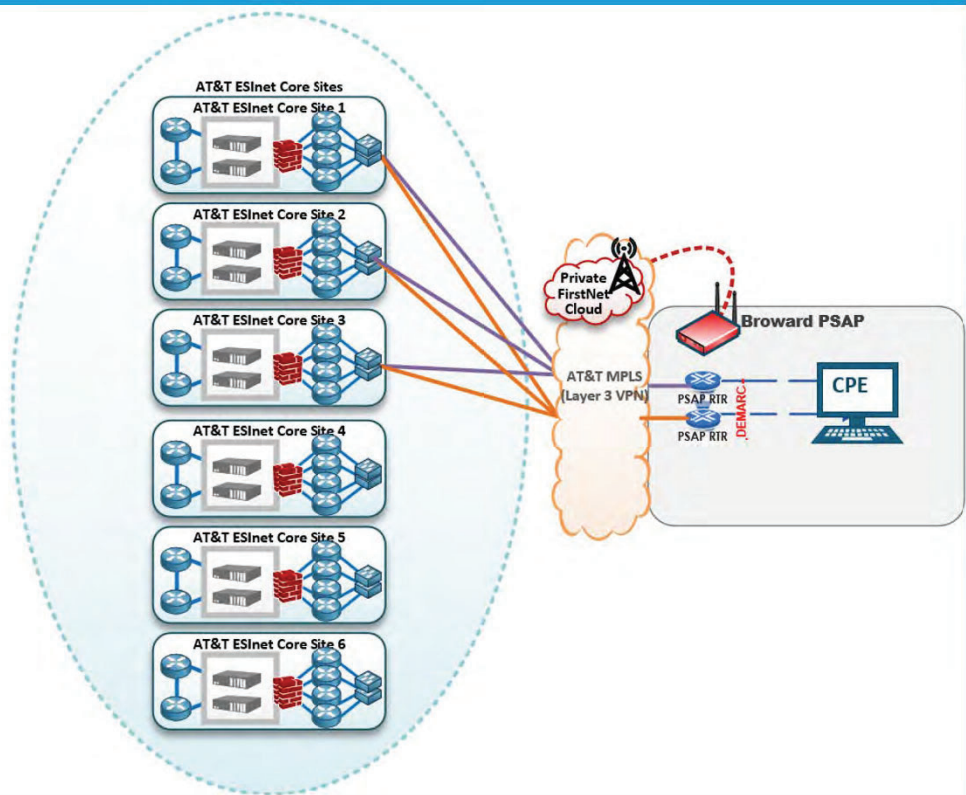


Sunny Day Call Flow – Functional Level

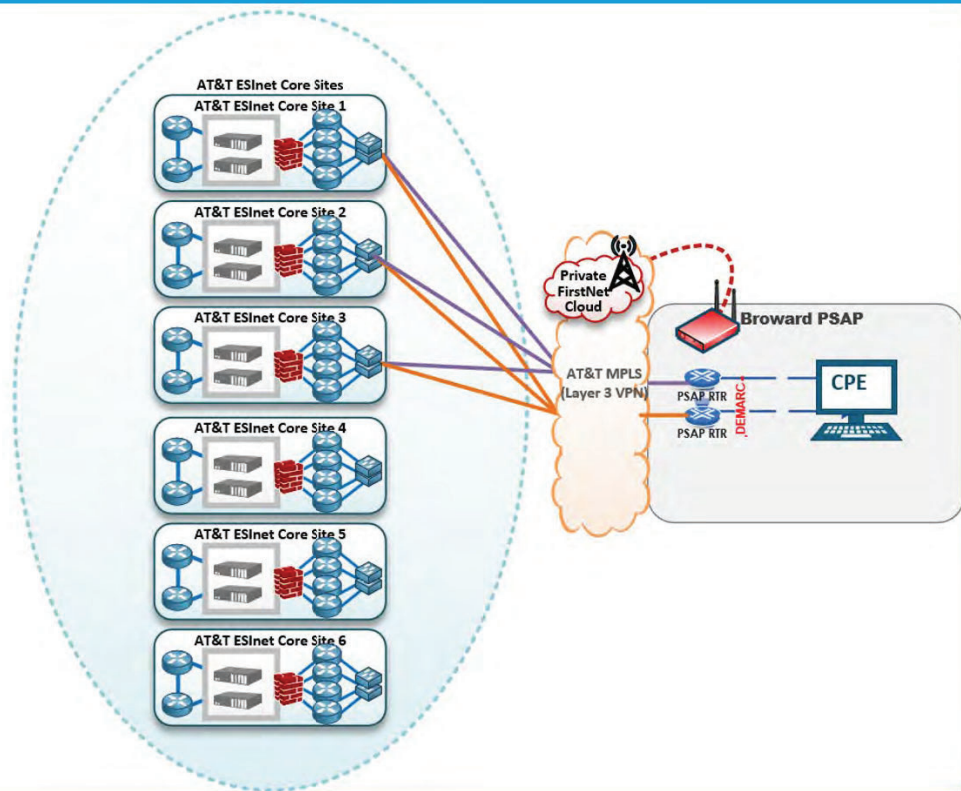
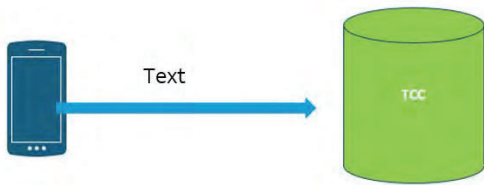


AT&T ESInet™ Architecture Diagrams Text Call Flow

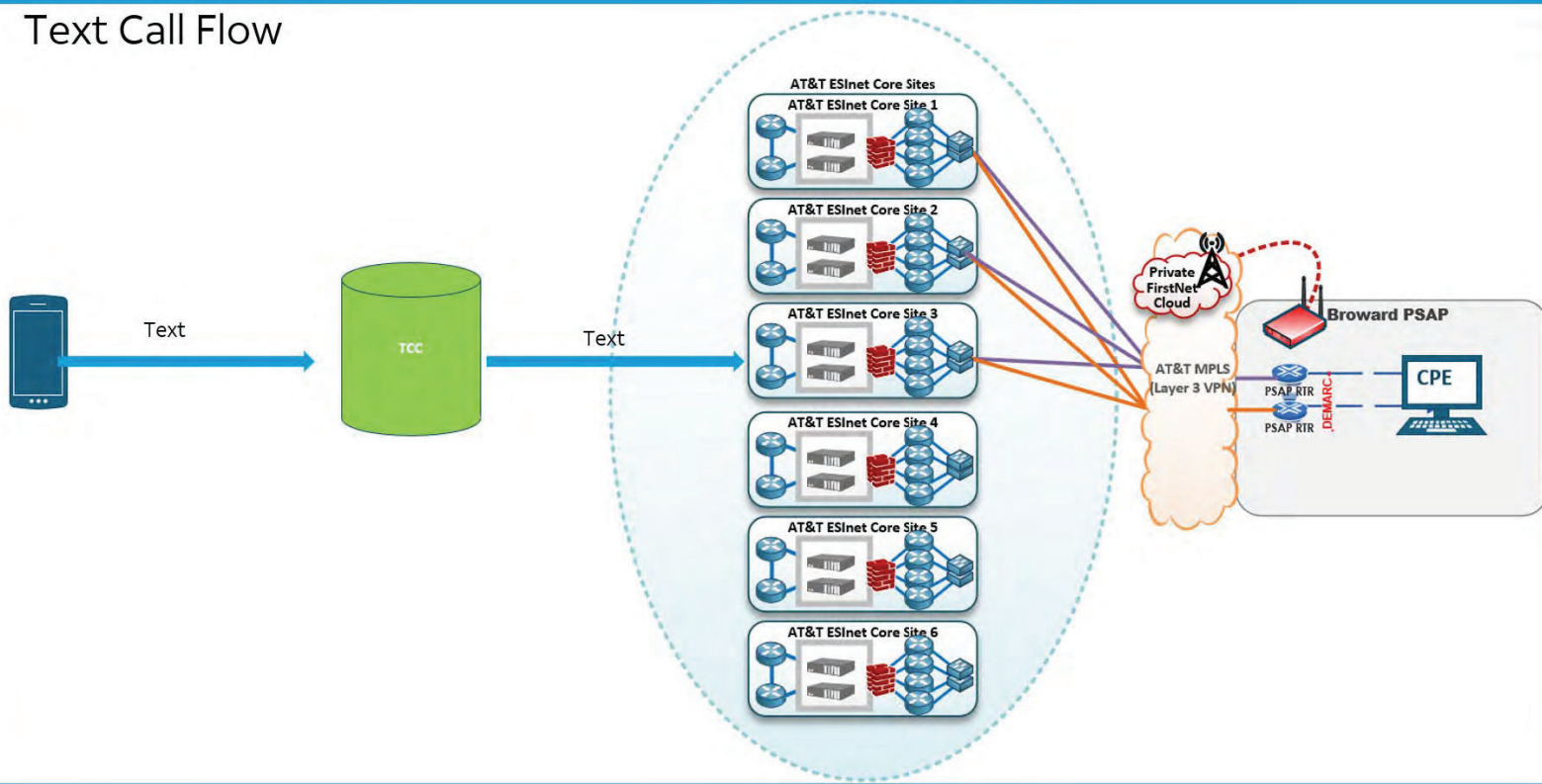
Text Call Flow



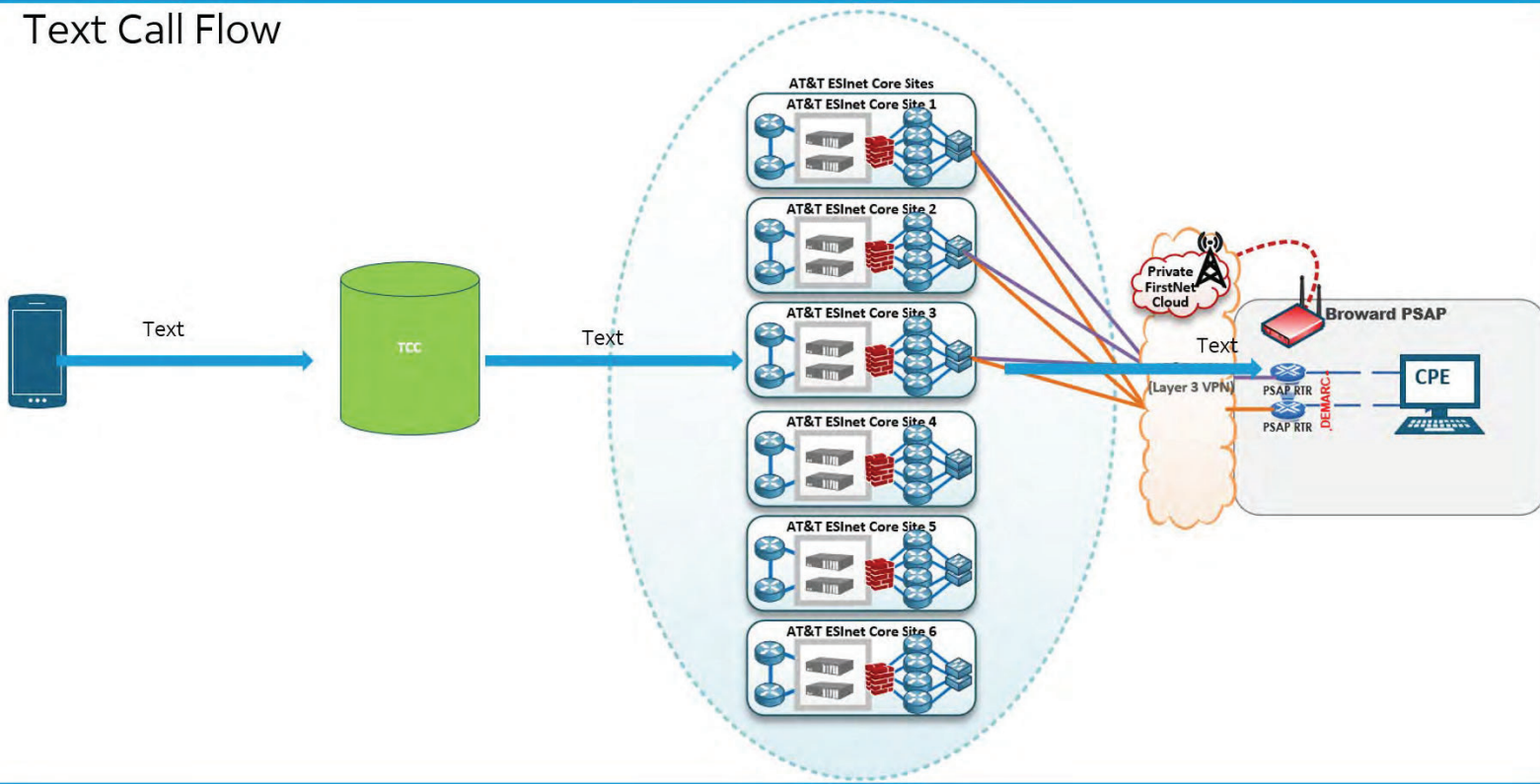
Text Call Flow



Text Call Flow



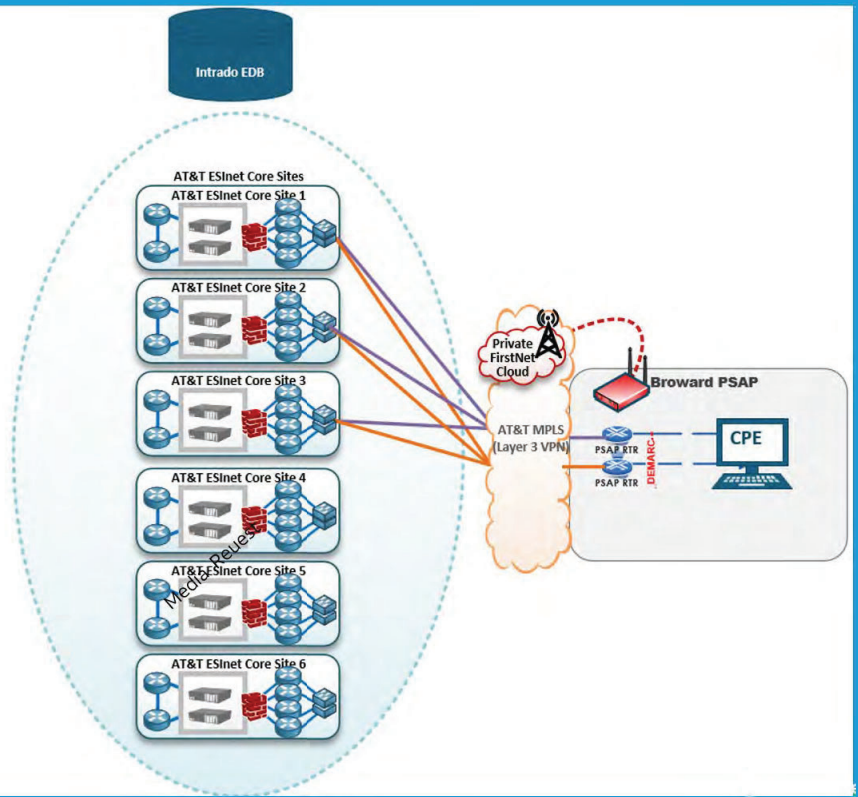
Text Call Flow



The screenshot displays a 911 dispatch software interface. On the left, there are fields for caller information including Tel # (9165022790), Address, and coordinates. A 'Text Conversation' window is open on the right, showing a text message from the caller: '911 what is your emergency?'. Below the text conversation, there are several call control buttons: ACD, 911, ADM, INTERCOM, TEXT TEXT, Conf Manager, Join, Listen, Call Patch, Park, Play, Record, Save, Stop, route, 6003, Silent Call, Cancel Tandem, Tandem, CONF, Transfer, TTY, HOLD, and Release. On the far right, there are buttons for SAC_POLICE, SAC_FIRE, SAC_EMS, In Lab Testing in Lab Testing, Directional DTMF, EMS-RFAI, Fire-RFAI, and Police-RFAI.

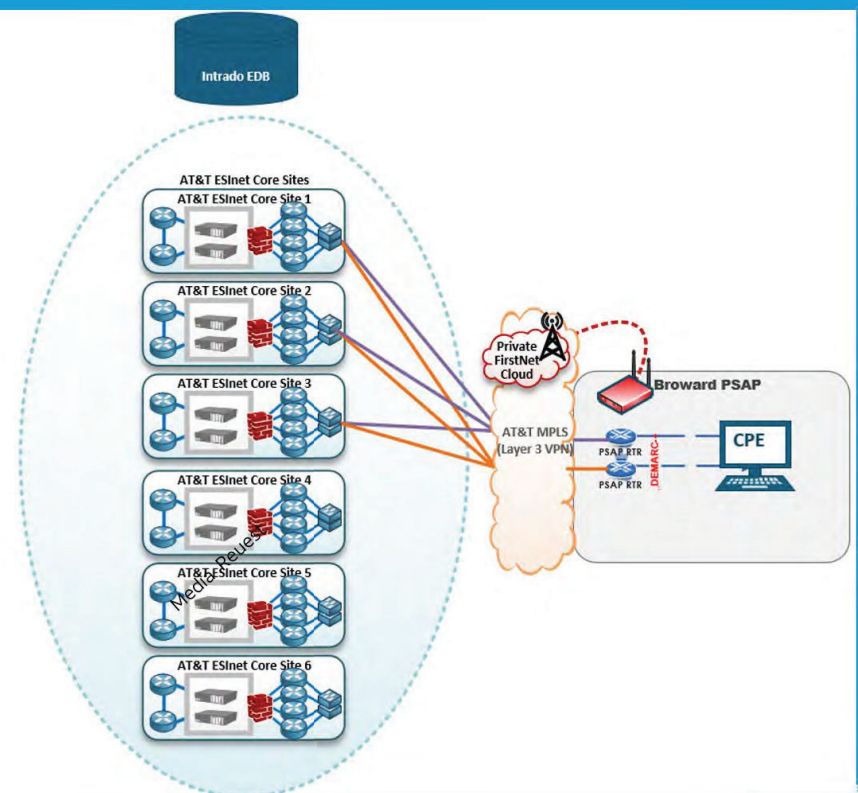
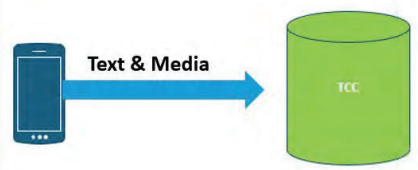
AT&T ESInet™ Architecture Diagrams Text with Media Call Flow

Text with Media Call Flow



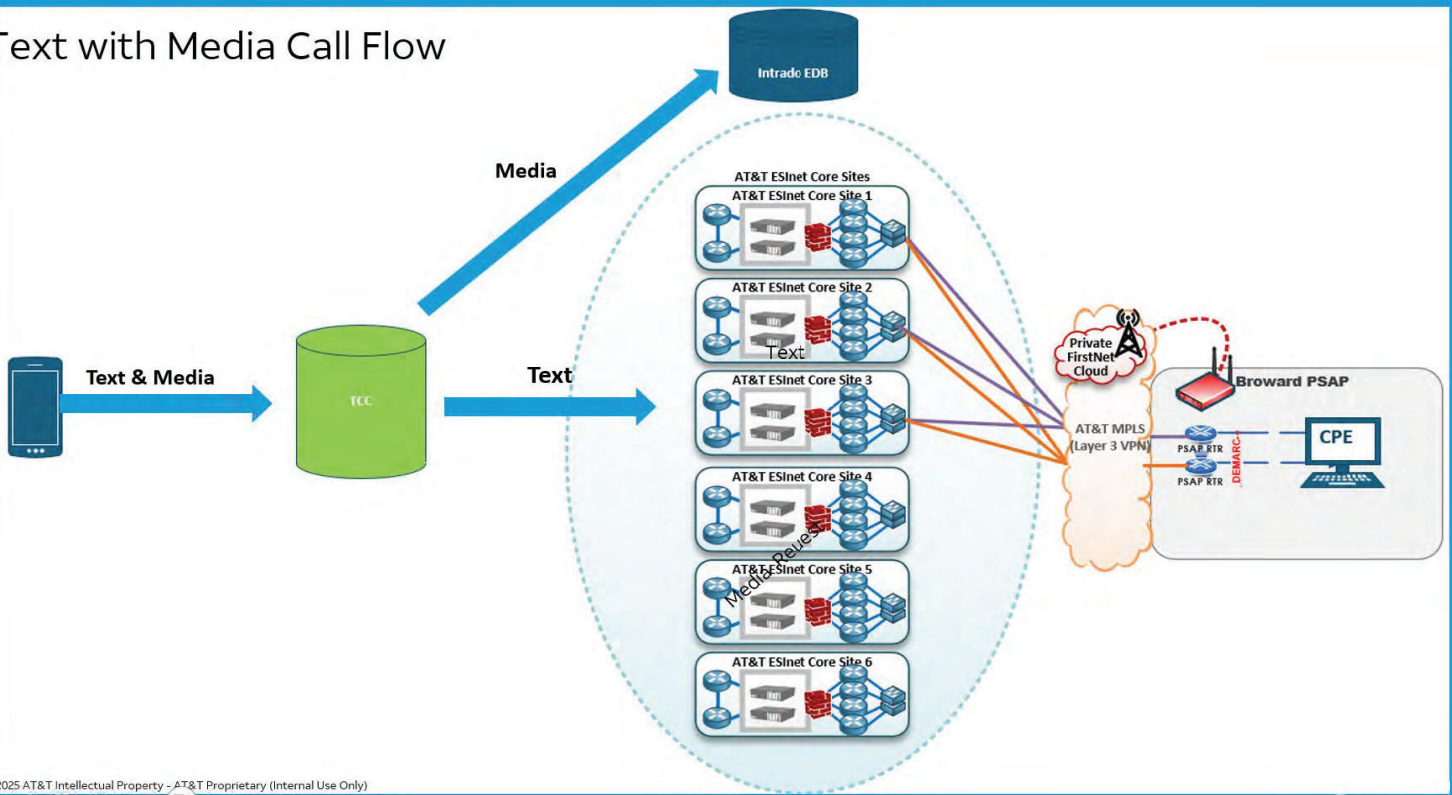
© 2025 AT&T Intellectual Property - AT&T Proprietary (Internal Use Only)

Text with Media Call Flow



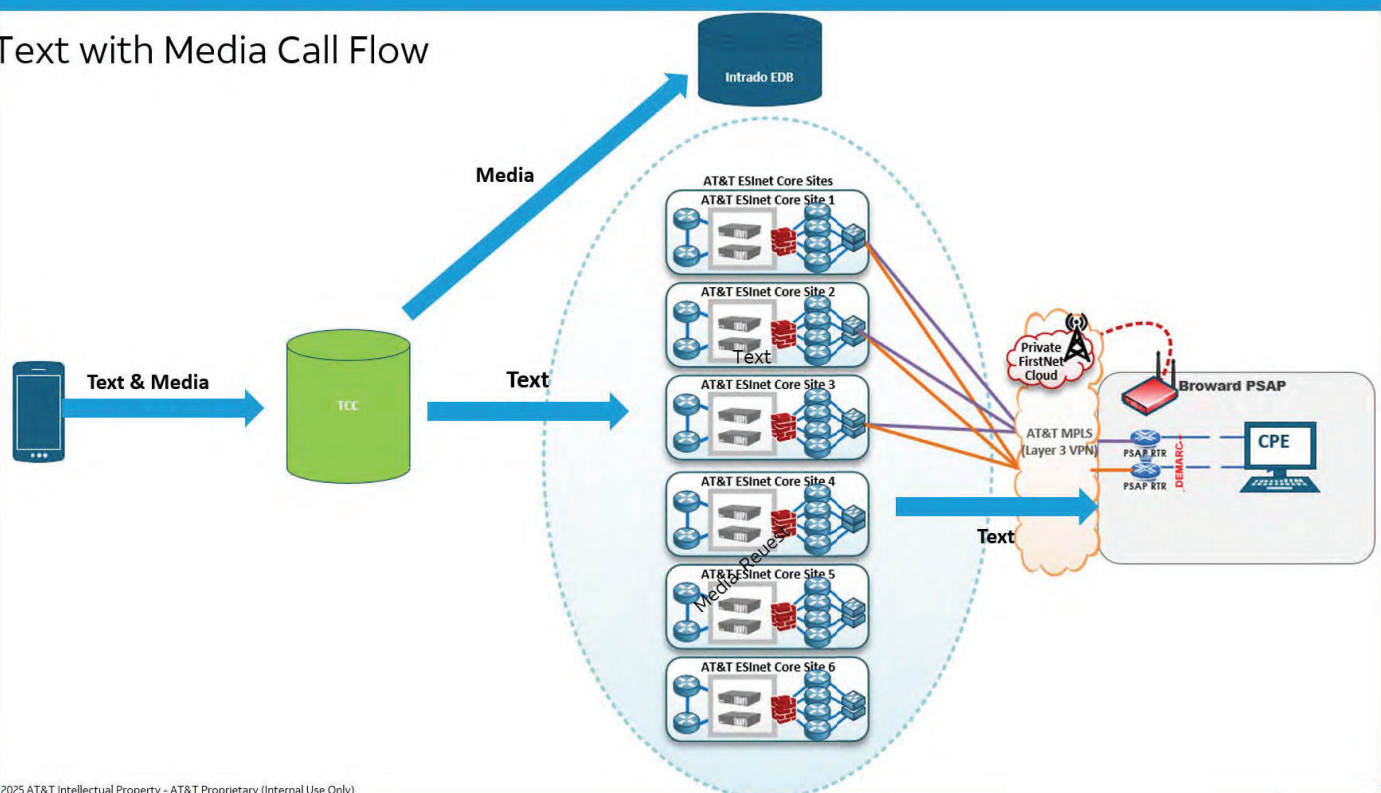
© 2025 AT&T Intellectual Property - AT&T Proprietary (Internal Use Only)

Text with Media Call Flow



© 2025 AT&T Intellectual Property - AT&T Proprietary (Internal Use Only)

Text with Media Call Flow



© 2025 AT&T Intellectual Property - AT&T Proprietary (Internal Use Only)

Text with Media Call Flow

Tel # 9165022790 Ext. _____ Service Type _____
 Caller _____ Service Mobility _____
 Address _____ Method Call _____
 _____ Provider Id _____
 _____ Contact URI _____
 Exact _____ Invoice Environment _____
 X (Long) -121.381170 Main # _____ ESN _____
 Y (Lat) 38.614746 Class _____
 Z Coordinate 210 _____

Address Details
 House # _____ Ext. _____ Company ID _____
 Street _____ Dir _____
 Community _____ County _____
 State _____ Zip Code _____ Ext. _____
 Near of _____
 Position _____

Text Conversation

Tel # 916-502-2790

Text [REDACTED]

Text 1234567890 [REDACTED]

911 what is your emergency? [REDACTED]

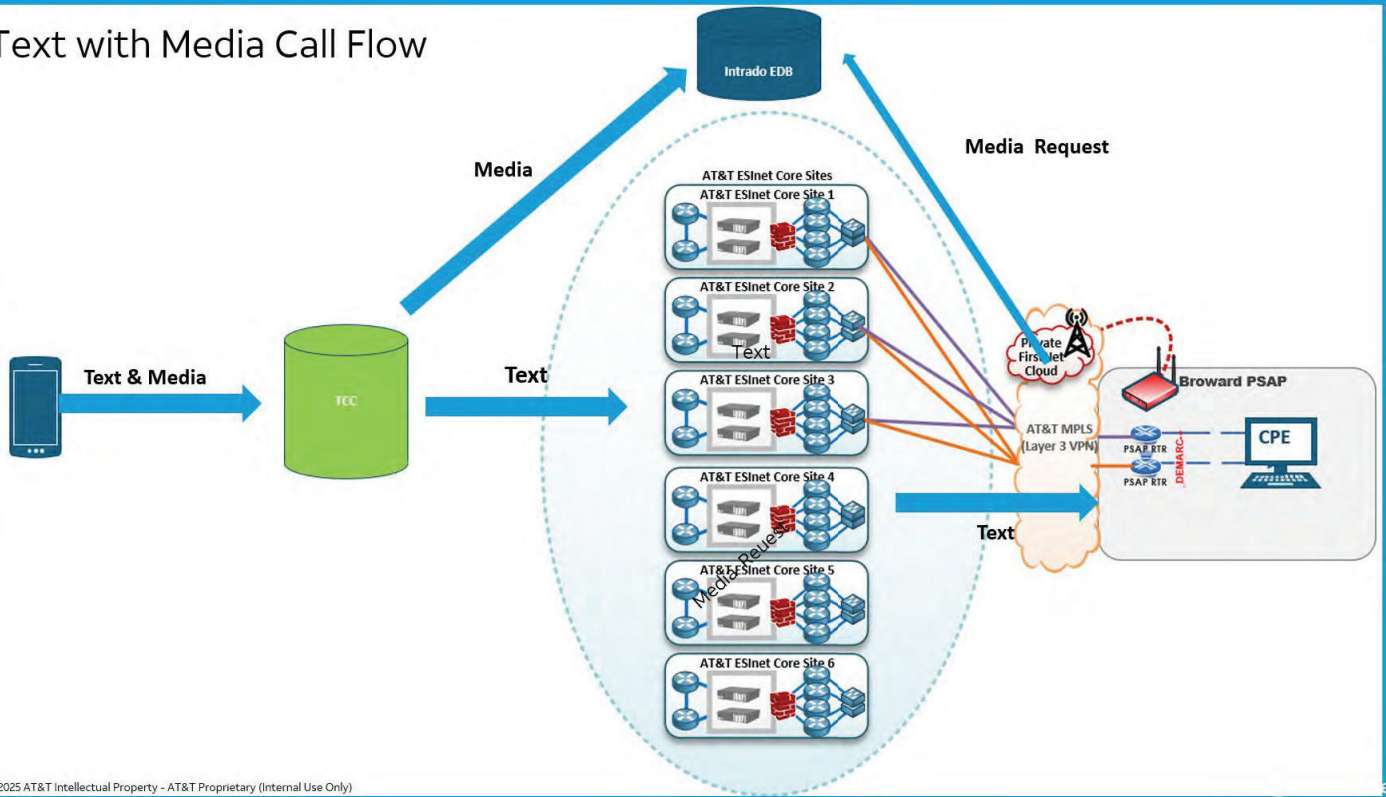
English 100% Translate Show Foreign Language

916-502-2790

9165022790 on SIP017

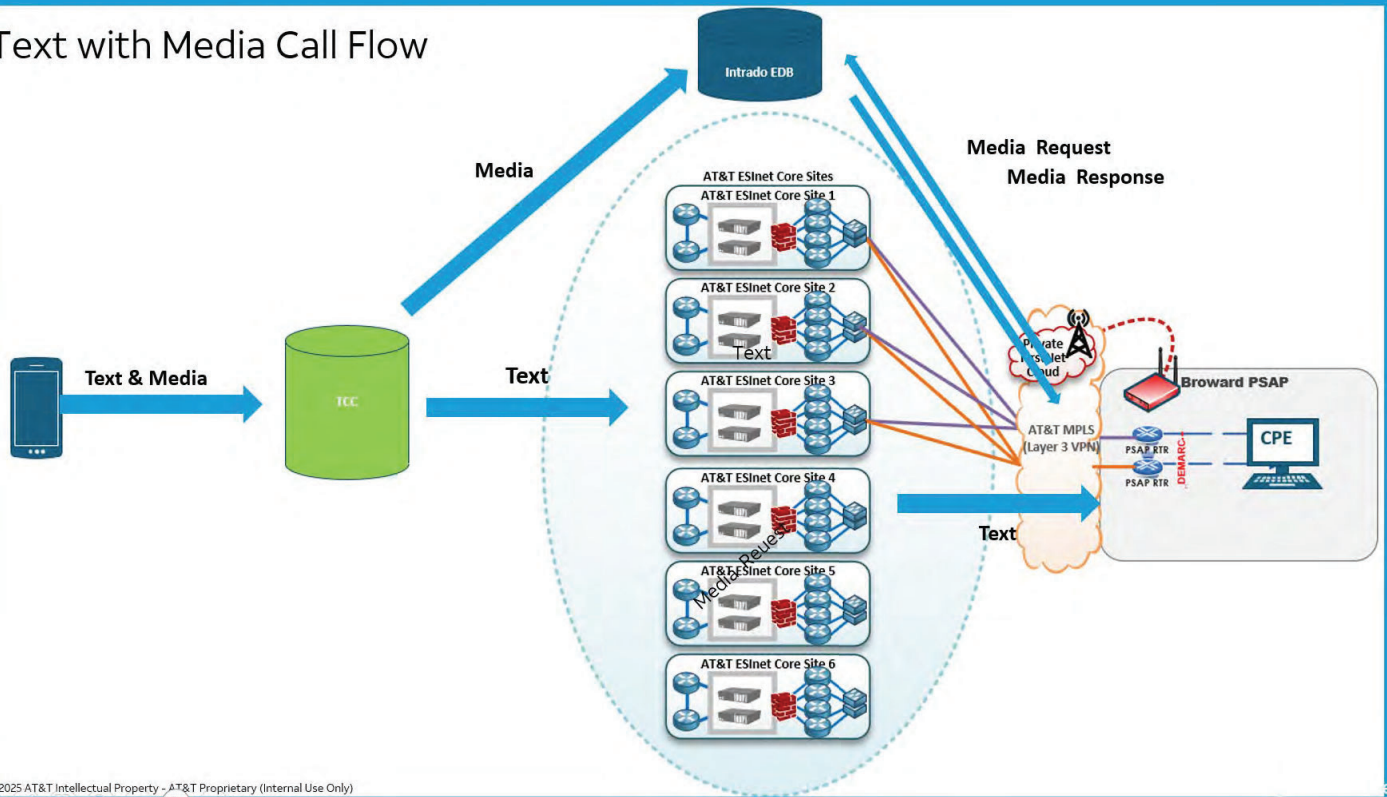
<input type="button" value="SAC_POLICE"/>	<input type="button" value="SAC_FIRE"/>	<input type="button" value="SAC_EMS"/>	<input type="button" value="In Lab Testing In Lab Testing"/>
<input type="button" value="Directional DTMF DTMF"/>	<input type="button" value="EMS-RFAI"/>	<input type="button" value="Fire-RFAI Fire-RFAI"/>	<input type="button" value="Police-RFAI Police-RFAI"/>

Text with Media Call Flow



© 2025 AT&T Intellectual Property - AT&T Proprietary (Internal Use Only)

Text with Media Call Flow



© 2025 AT&T Intellectual Property - AT&T Proprietary (Internal Use Only)

Text with Media Call Flow

Current Call

Telephone Call
(555) 111-3333

Location

All Location
39.0494, -95.6855 275.0m

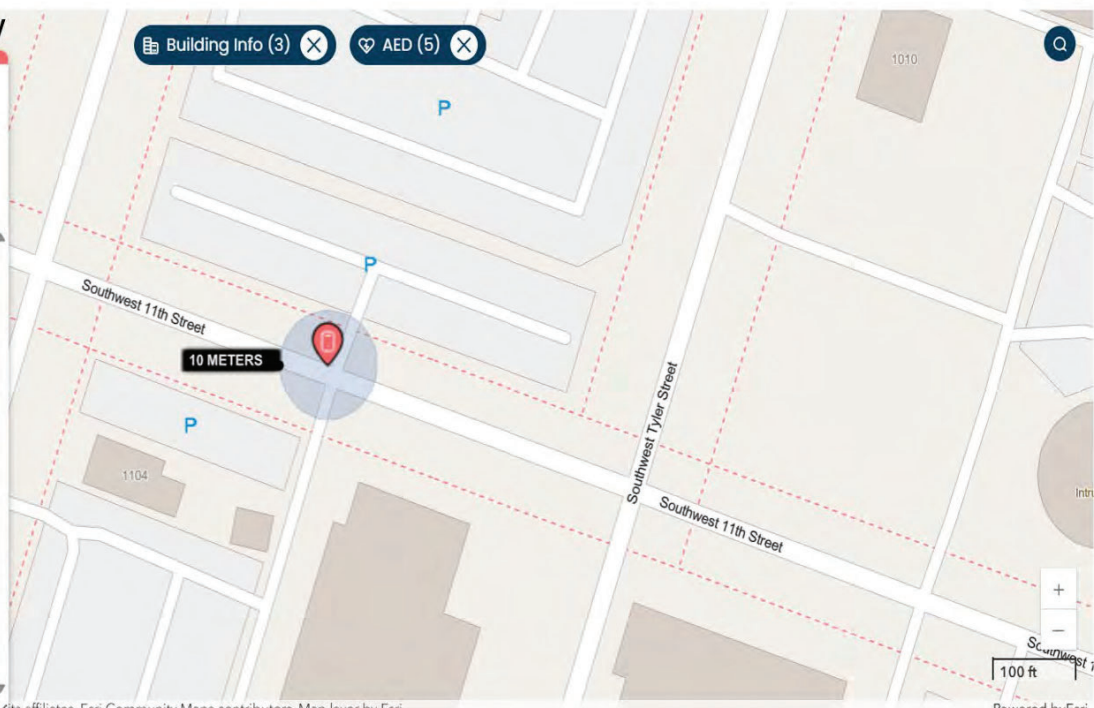
Latest Location
39.0466, -95.6843 286.7m 95%
10.2m 23.3m N/A 23240:10:31

Estimated Address
1104 Sw Polk St Topeka, KS, 66612

Location History (9)

Show On Map Show In Table Follow

Supplemental Data



Text with Media Call Flow

Building Info (3) X

AED (5) X

Close



Current Call
Telephone Call
(555) 111-3333

Estimated Address
1104 Sw Polk St Topeka, KS, 66612

Location History (9)
Show On Map Show In Table

Supplemental Data




Device Info
Language Setting: Eng

Battery Level:
Model Info: Motorola nexus 6
Medium: Voice

Associated Addresses

Multimedia Details for (555) 111-3333



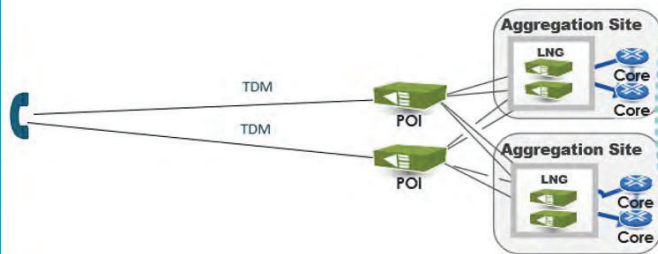
Map data © OpenStreetMap contributors, Imagery © Mapbox, © Mapbox affiliates, Esri Community Maps contributors, Map layer by Esri

Powered by

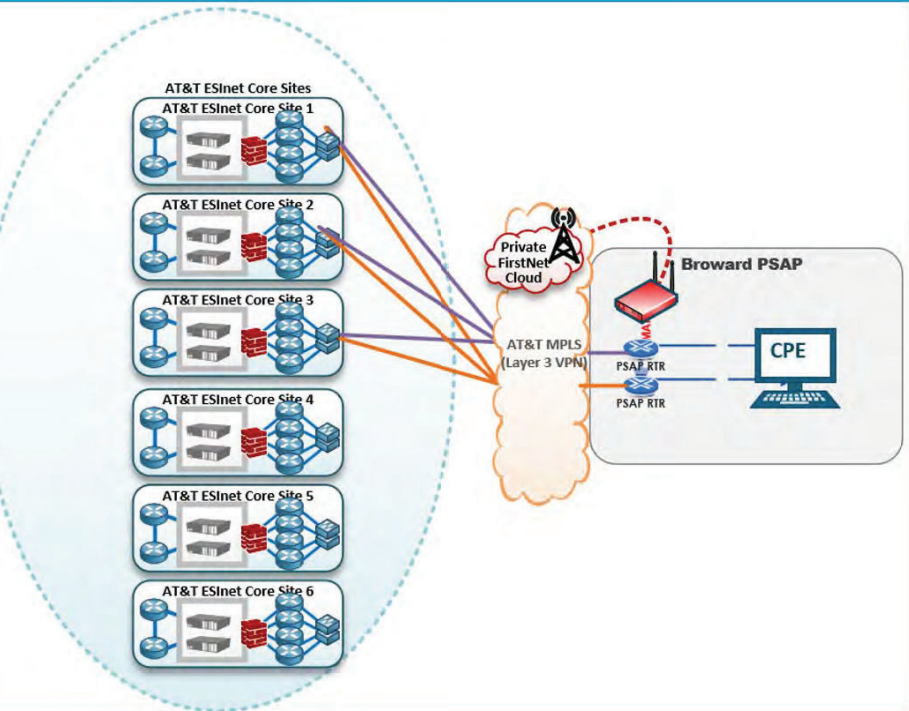
Overview of Alternate Routing Mechanisms Available in AT&T ESInet™

AT&T ESInet™ Point of Interconnection Failure - TDM

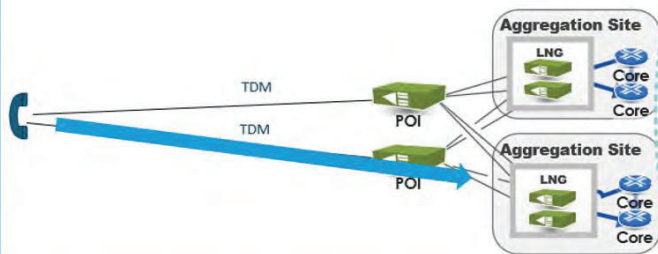
Point of Interconnection Failure - TDM



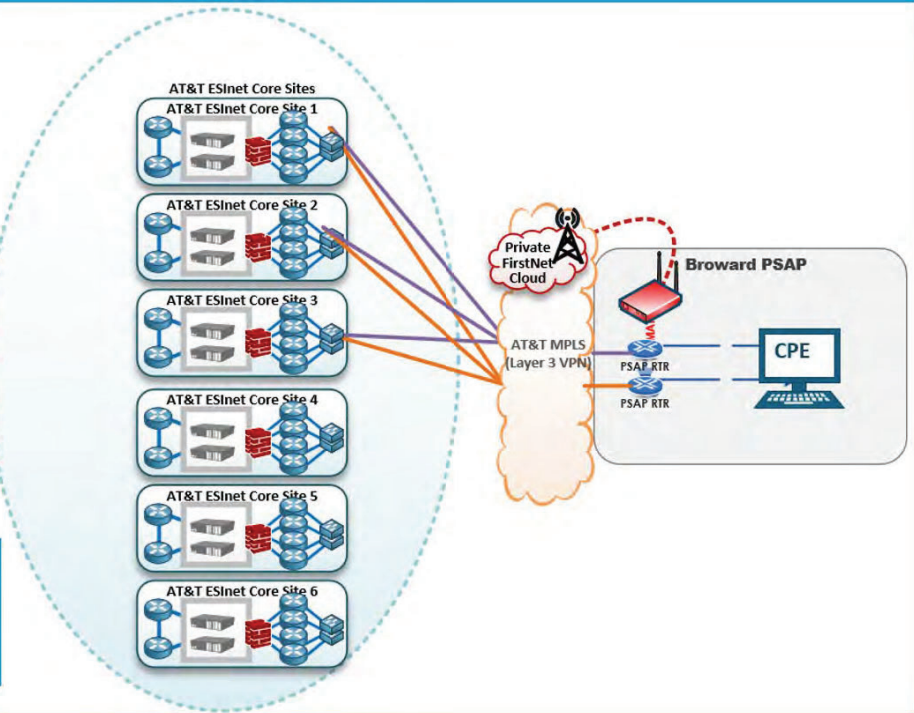
If TDM trunk goes down mid call, typically call is lost and OSP will need to re-invite. All new calls will use available paths
 If Network from LNG is lost, call is retained and regenerated automatically by AT&T LNG



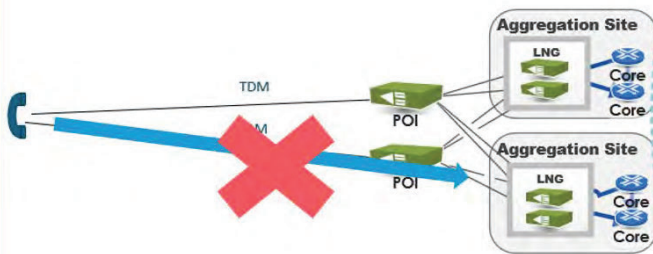
Point of Interconnection Failure - TDM



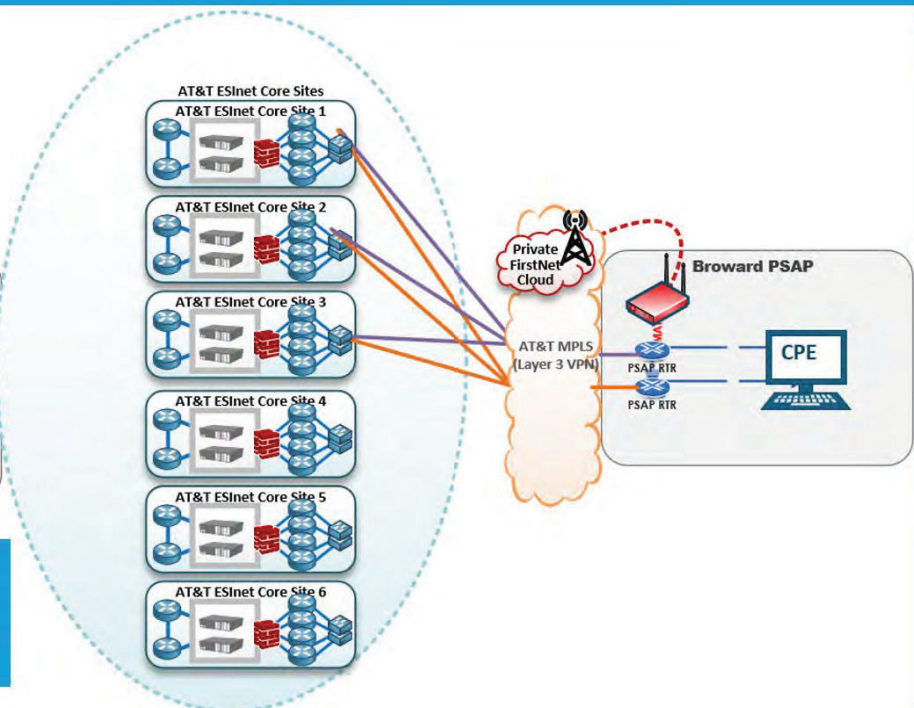
If TDM trunk goes down mid call, typically call is lost and OSP will need to re-invite. All new calls will use available paths
 If Network from LNG is lost, call is retained and regenerated automatically by AT&T LNG



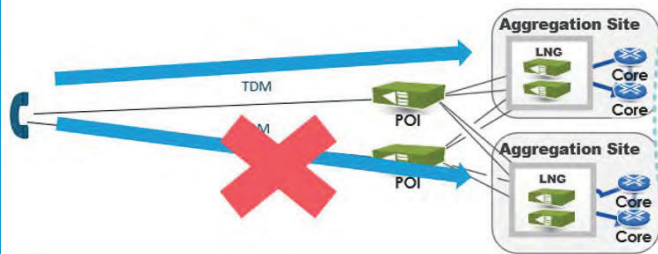
Point of Interconnection Failure - TDM



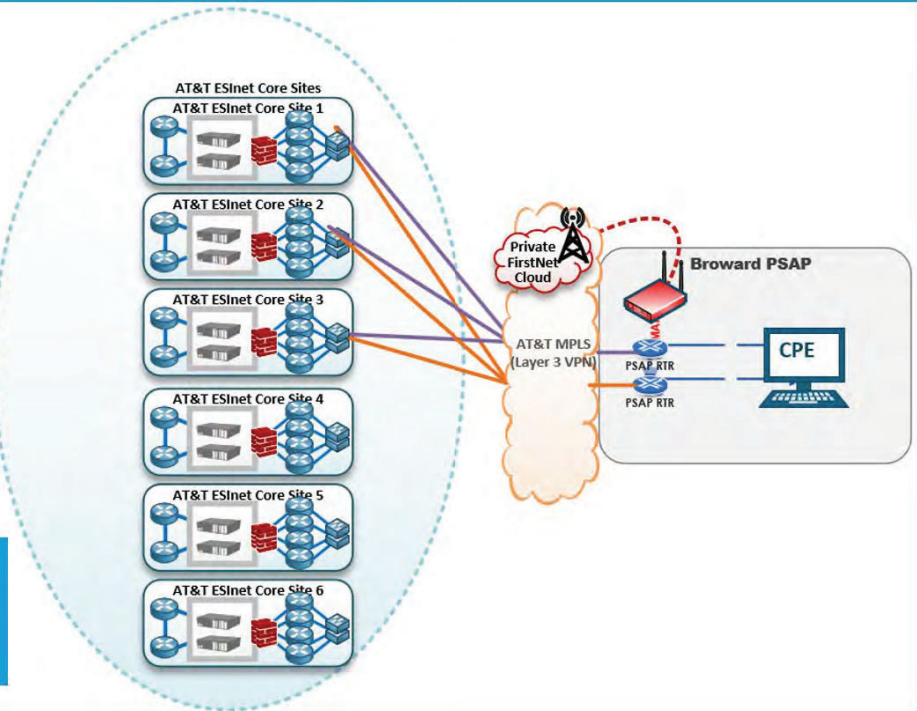
If TDM trunk goes down mid call, typically call is lost and OSP will need to re-invite. All new calls will use available paths
 If Network from LNG is lost, call is retained and regenerated automatically by AT&T LNG



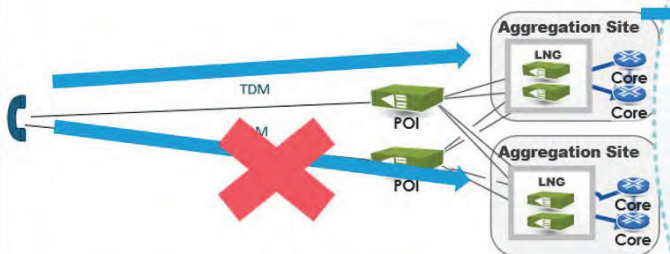
Point of Interconnection Failure - TDM



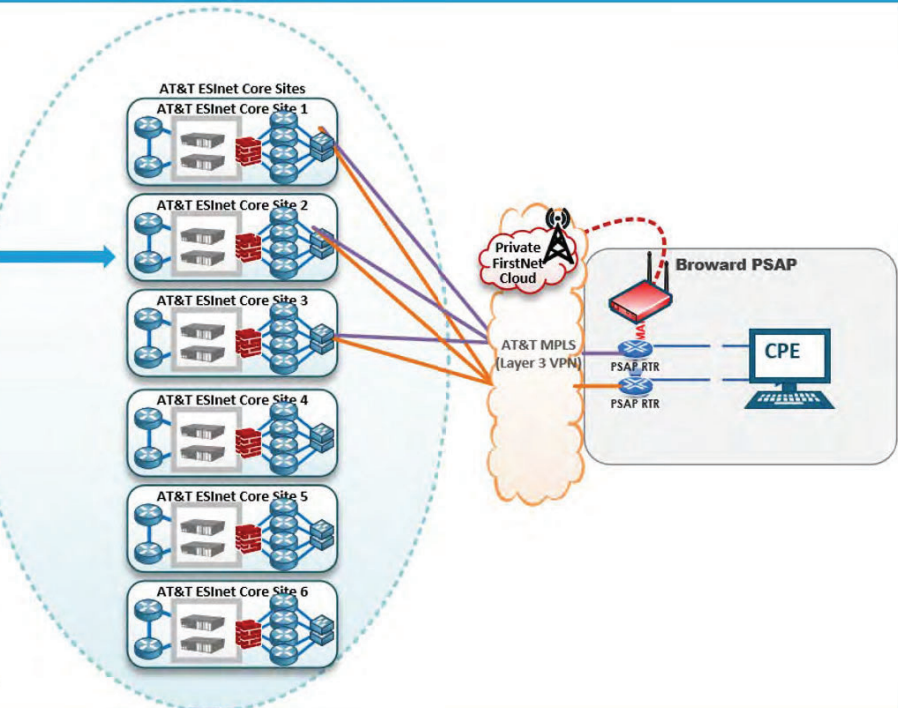
If TDM trunk goes down mid call, typically call is lost and OSP will need to re-invite. All new calls will use available paths
 If Network from LNG is lost, call is retained and regenerated automatically by AT&T LNG



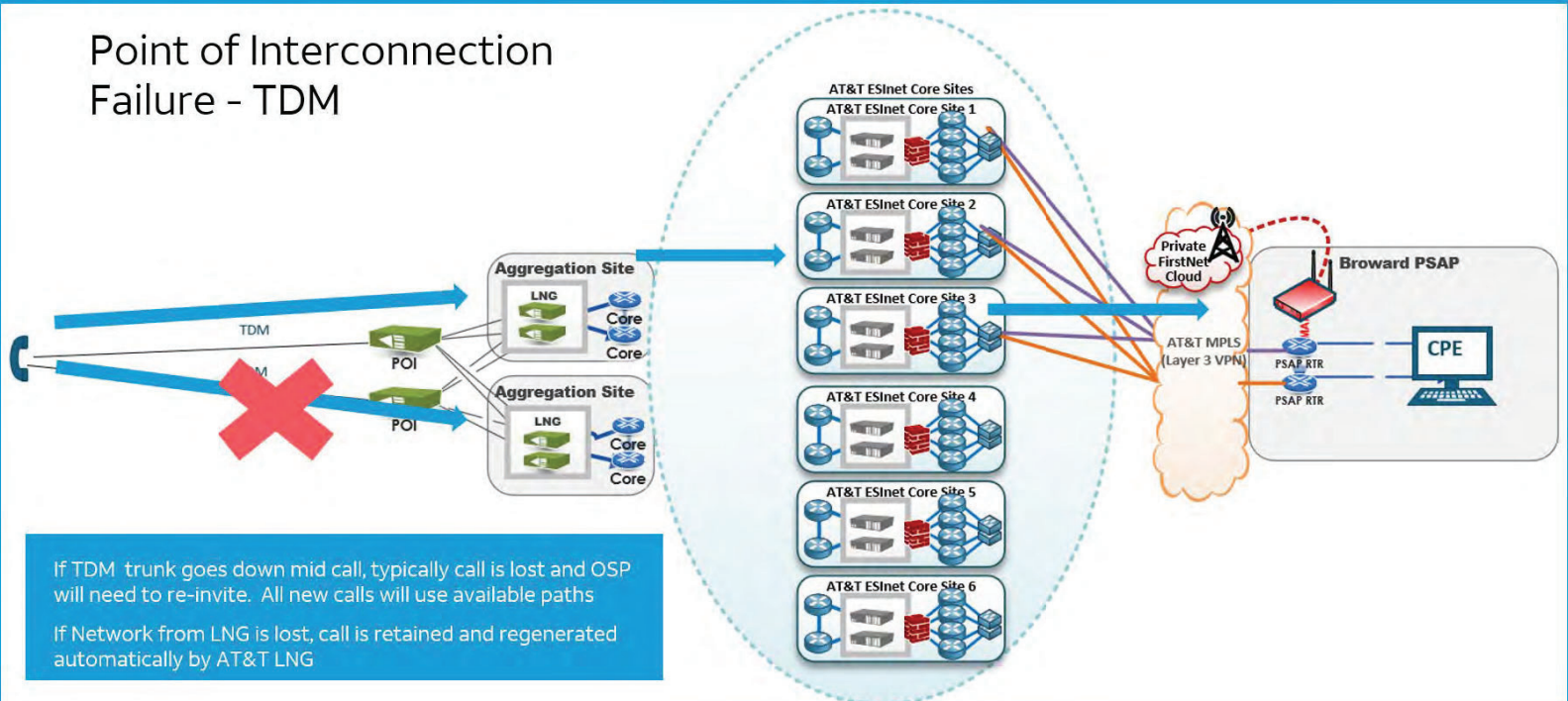
Point of Interconnection Failure - TDM



If TDM trunk goes down mid call, typically call is lost and OSP will need to re-invite. All new calls will use available paths
 If Network from LNG is lost, call is retained and regenerated automatically by AT&T LNG

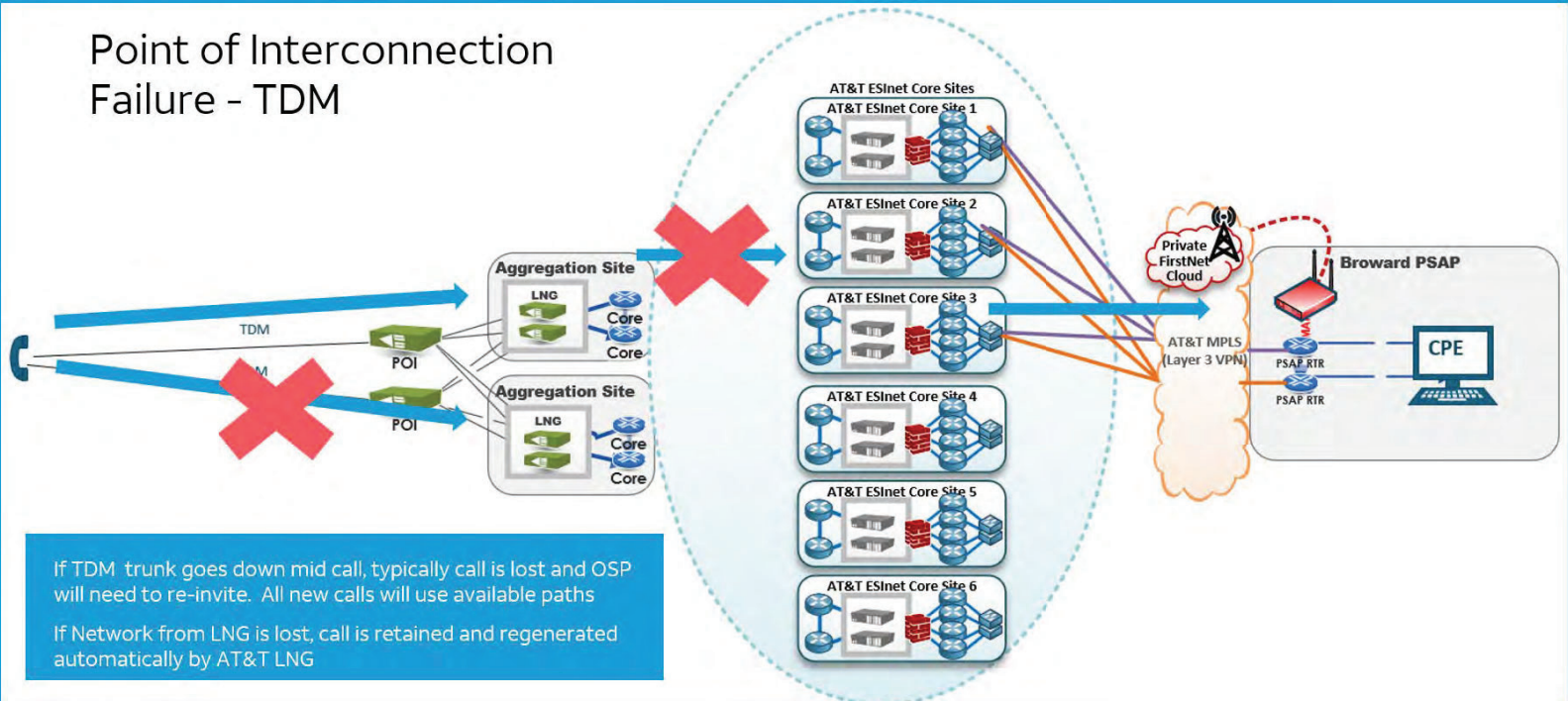


Point of Interconnection Failure - TDM



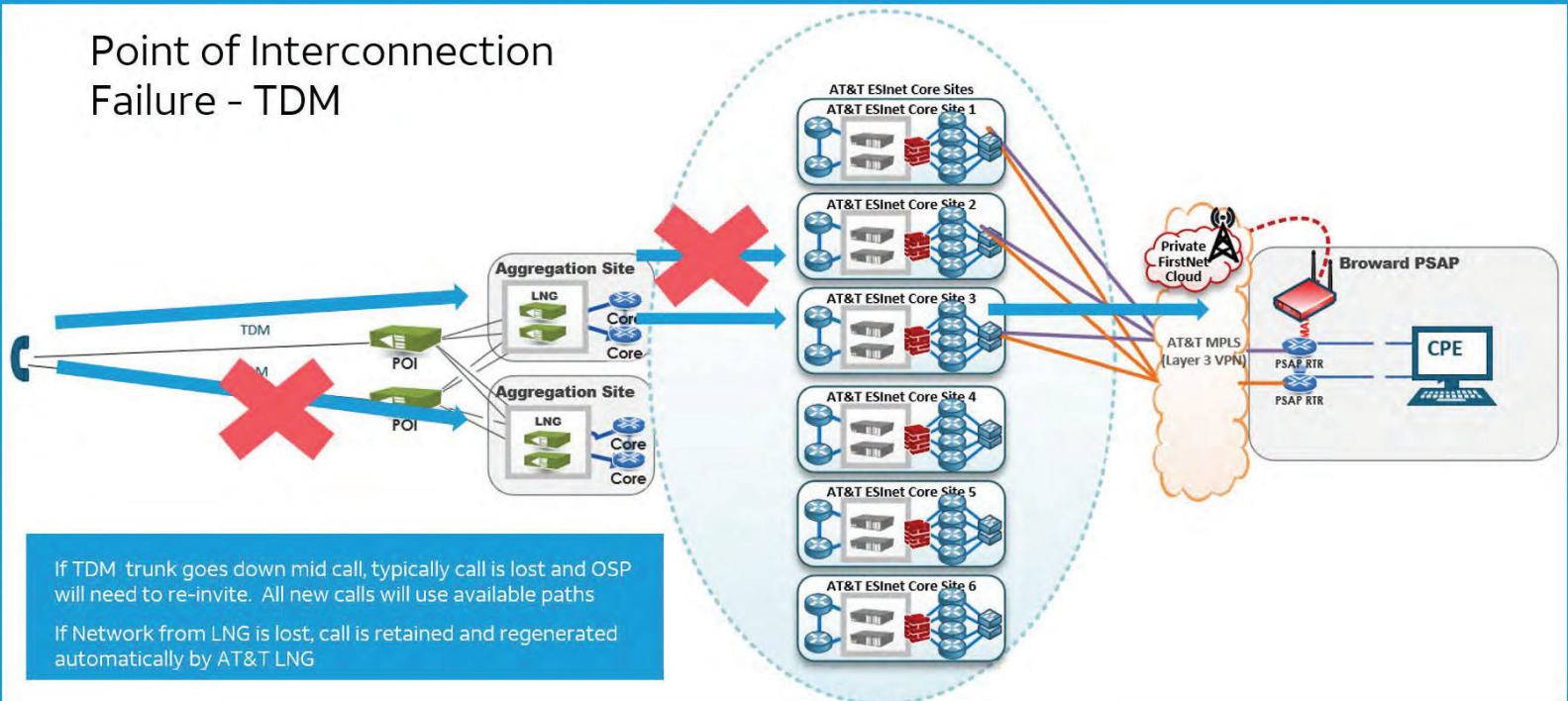
If TDM trunk goes down mid call, typically call is lost and OSP will need to re-invite. All new calls will use available paths
 If Network from LNG is lost, call is retained and regenerated automatically by AT&T LNG

Point of Interconnection Failure - TDM



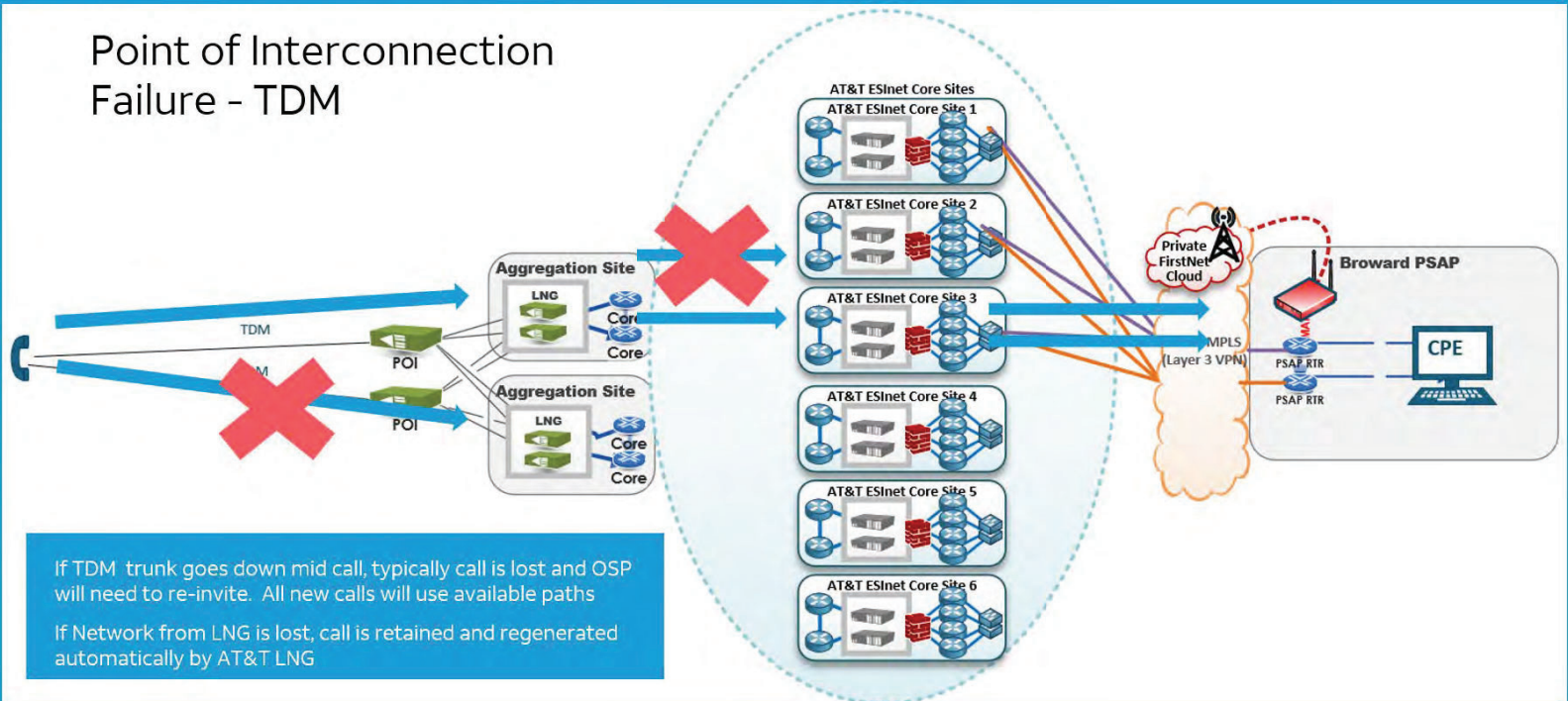
If TDM trunk goes down mid call, typically call is lost and OSP will need to re-invite. All new calls will use available paths
 If Network from LNG is lost, call is retained and regenerated automatically by AT&T LNG

Point of Interconnection Failure - TDM



If TDM trunk goes down mid call, typically call is lost and OSP will need to re-invite. All new calls will use available paths
 If Network from LNG is lost, call is retained and regenerated automatically by AT&T LNG

Point of Interconnection Failure - TDM



If TDM trunk goes down mid call, typically call is lost and OSP will need to re-invite. All new calls will use available paths
 If Network from LNG is lost, call is retained and regenerated automatically by AT&T LNG

AT&T ESInet™ Point of Interconnection Failure – IP / i3 In-State POI

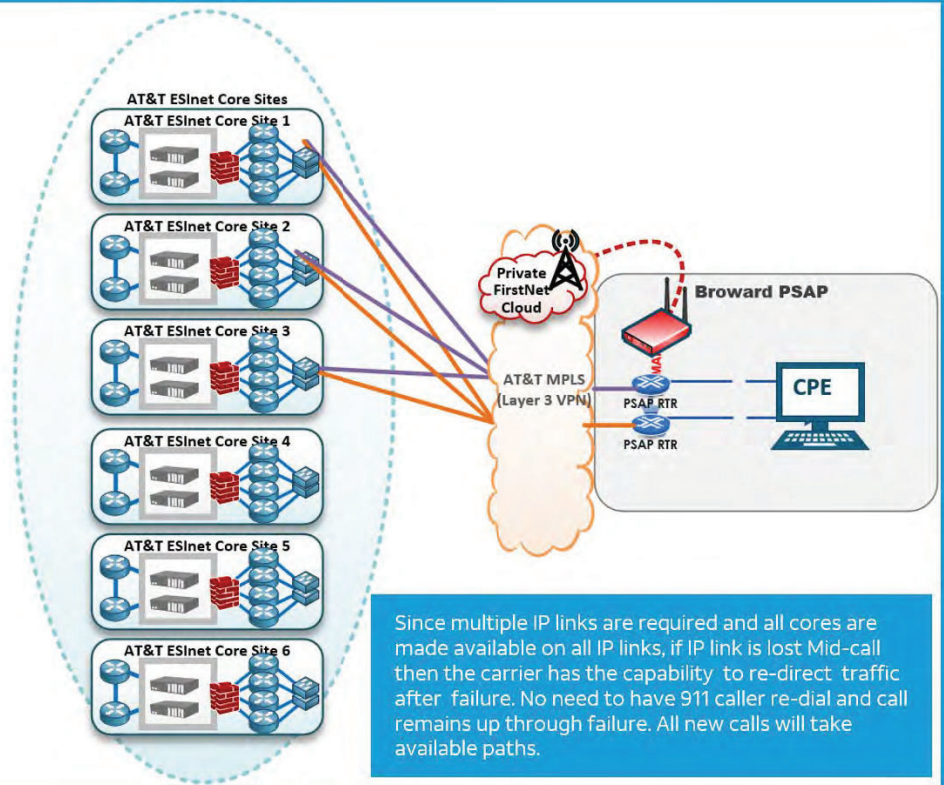
Point of Interconnection Failure – IP/i3 In-State POI



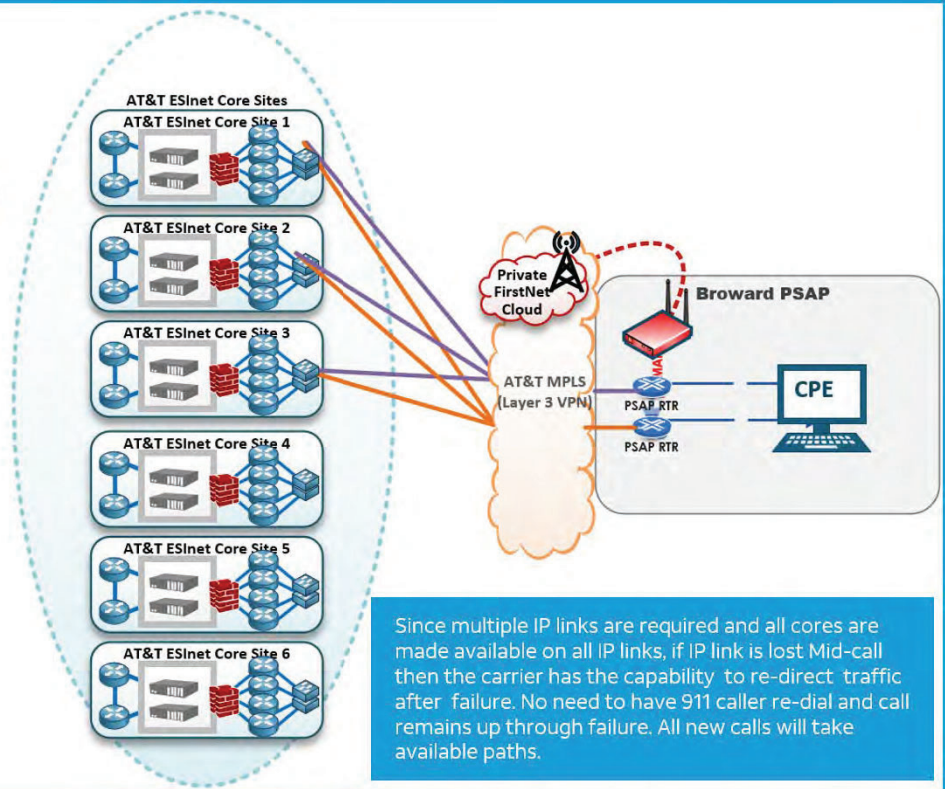
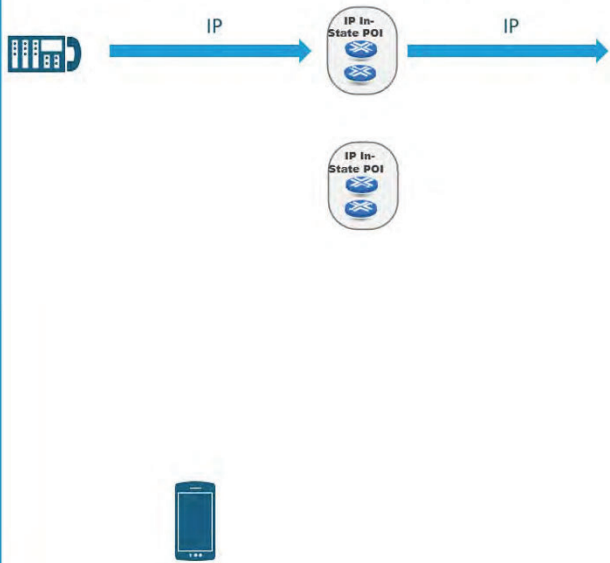
IP



IP

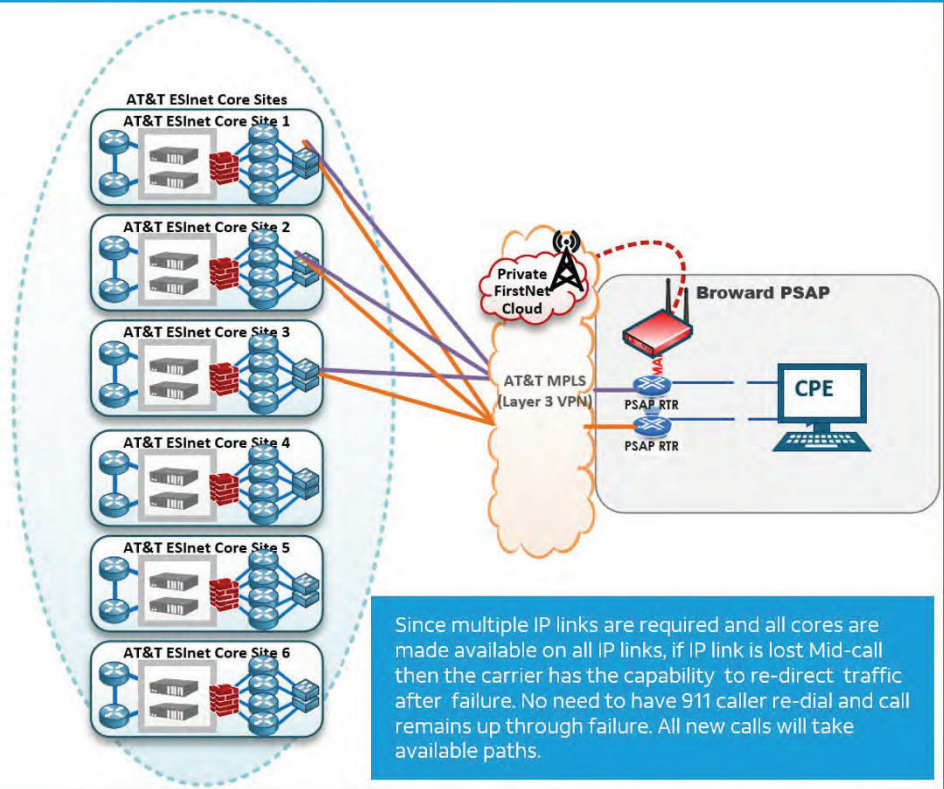
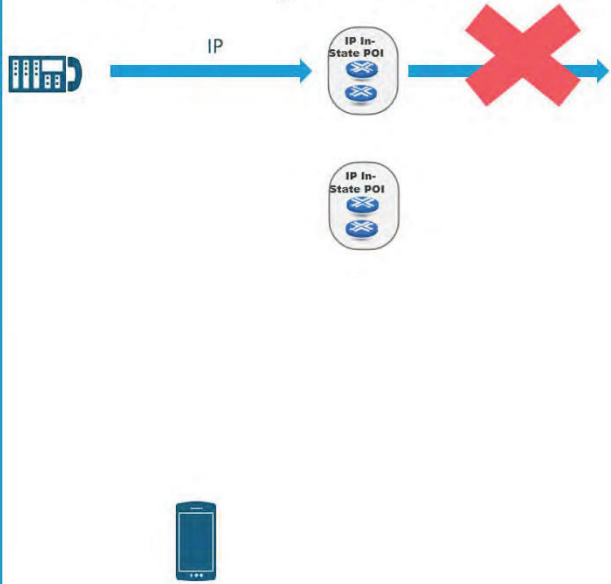


Point of Interconnection Failure – IP/i3 In-State POI



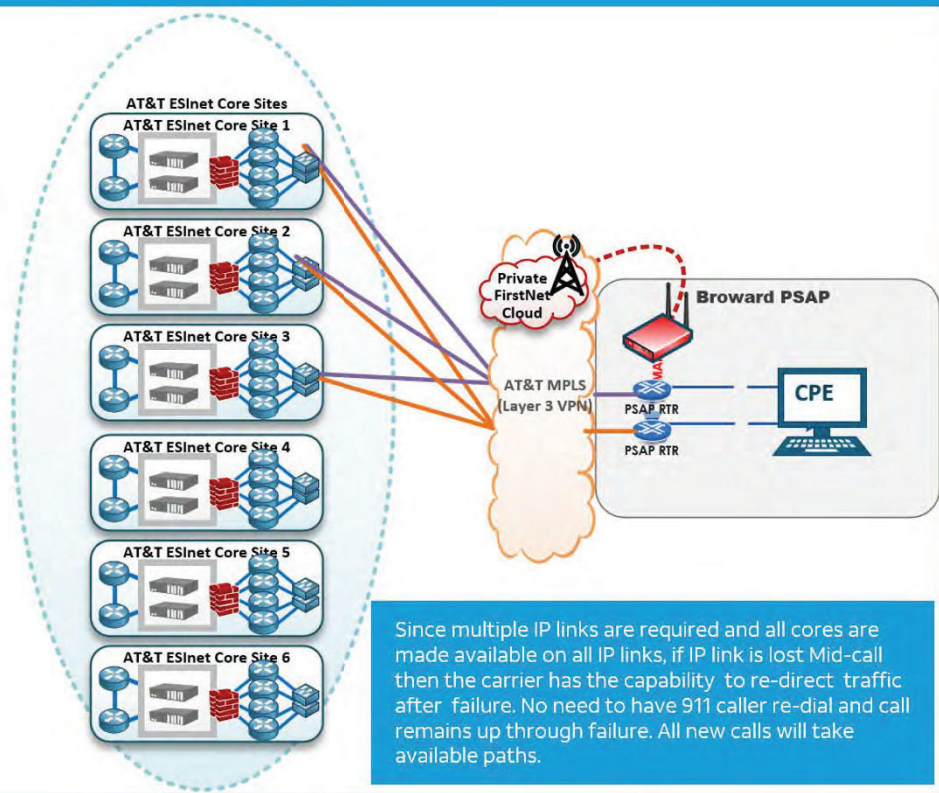
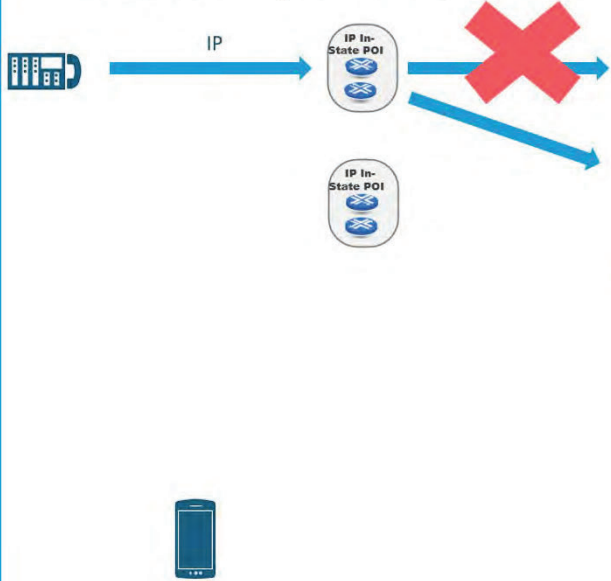
Since multiple IP links are required and all cores are made available on all IP links, if IP link is lost Mid-call then the carrier has the capability to re-direct traffic after failure. No need to have 911 caller re-dial and call remains up through failure. All new calls will take available paths.

Point of Interconnection Failure – IP/i3 In-State POI



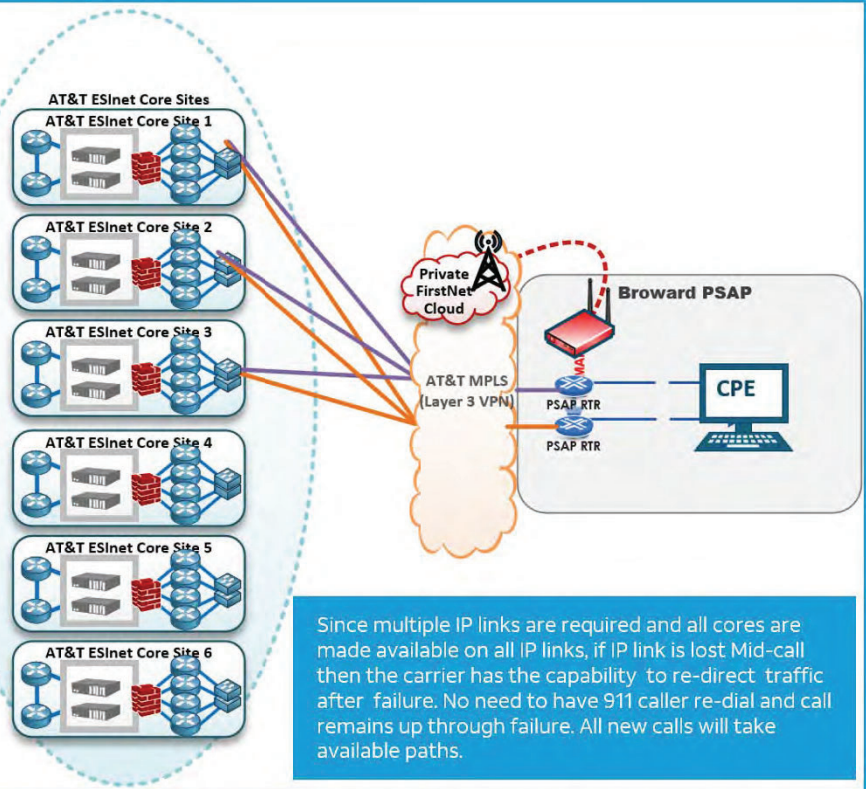
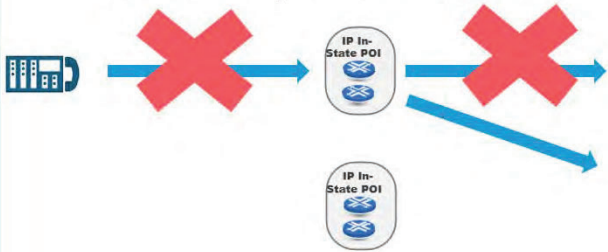
Since multiple IP links are required and all cores are made available on all IP links, if IP link is lost Mid-call then the carrier has the capability to re-direct traffic after failure. No need to have 911 caller re-dial and call remains up through failure. All new calls will take available paths.

Point of Interconnection Failure – IP/i3 In-State POI



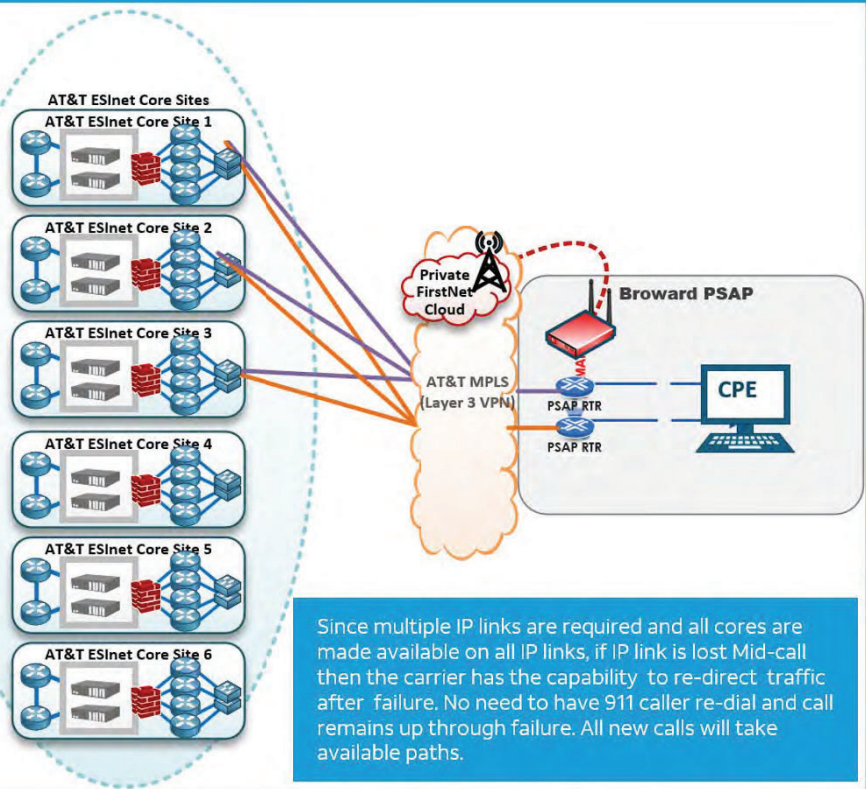
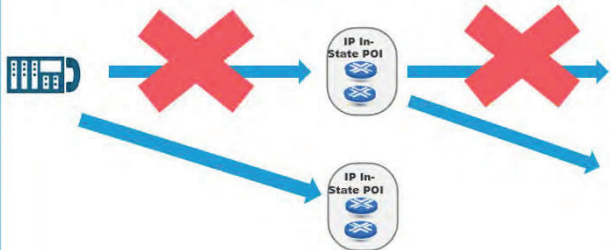
Since multiple IP links are required and all cores are made available on all IP links, if IP link is lost Mid-call then the carrier has the capability to re-direct traffic after failure. No need to have 911 caller re-dial and call remains up through failure. All new calls will take available paths.

Point of Interconnection Failure – IP/i3 In-State POI



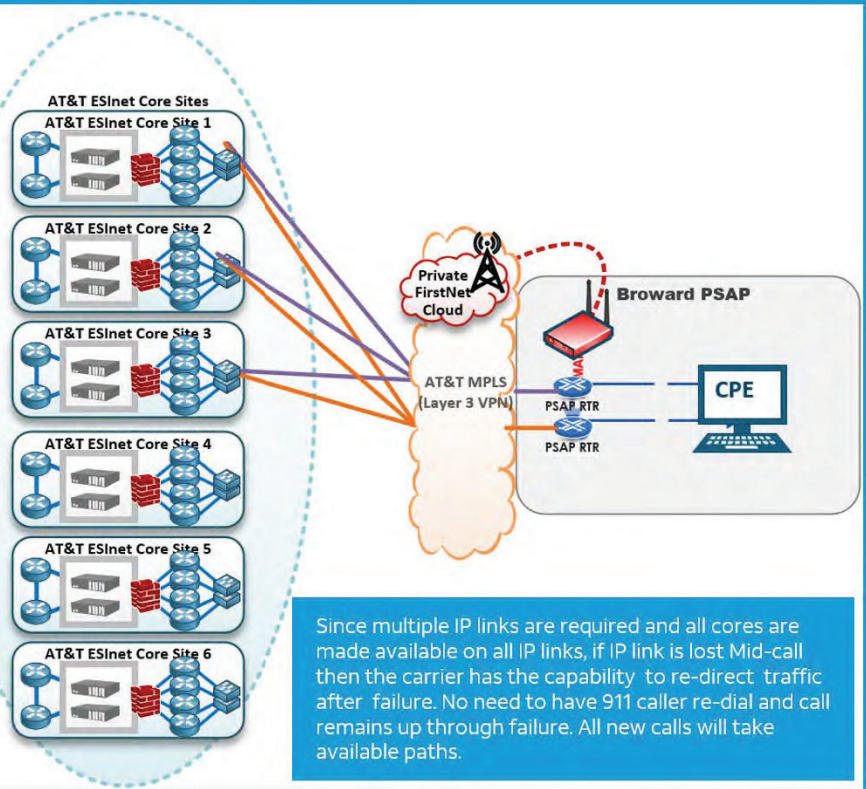
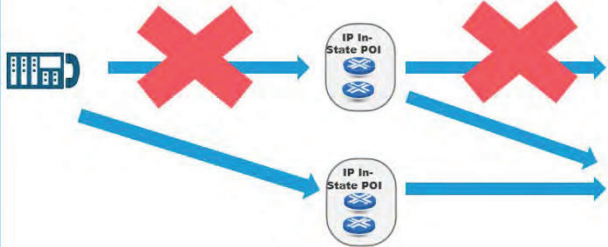
Since multiple IP links are required and all cores are made available on all IP links, if IP link is lost Mid-call then the carrier has the capability to re-direct traffic after failure. No need to have 911 caller re-dial and call remains up through failure. All new calls will take available paths.

Point of Interconnection Failure – IP/i3 In-State POI



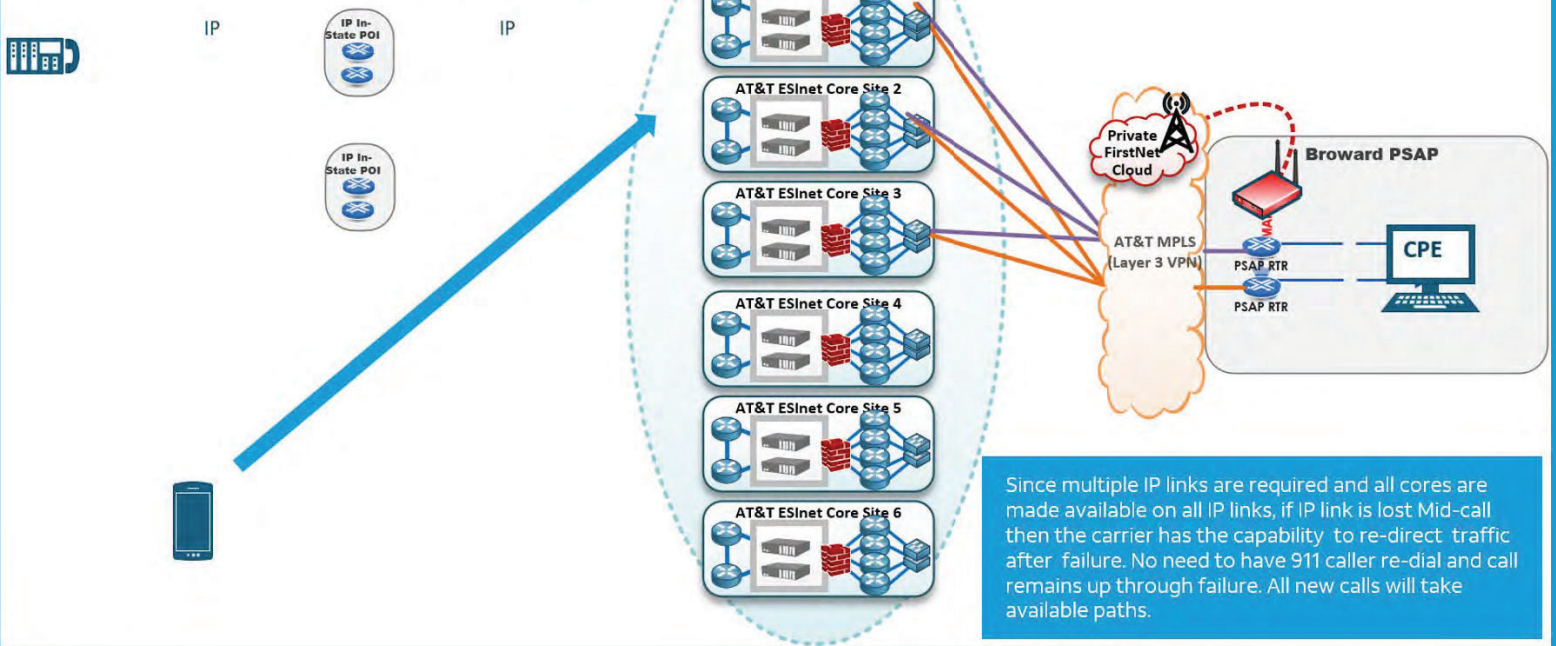
Since multiple IP links are required and all cores are made available on all IP links, if IP link is lost Mid-call then the carrier has the capability to re-direct traffic after failure. No need to have 911 caller re-dial and call remains up through failure. All new calls will take available paths.

Point of Interconnection Failure – IP/i3 In-State POI



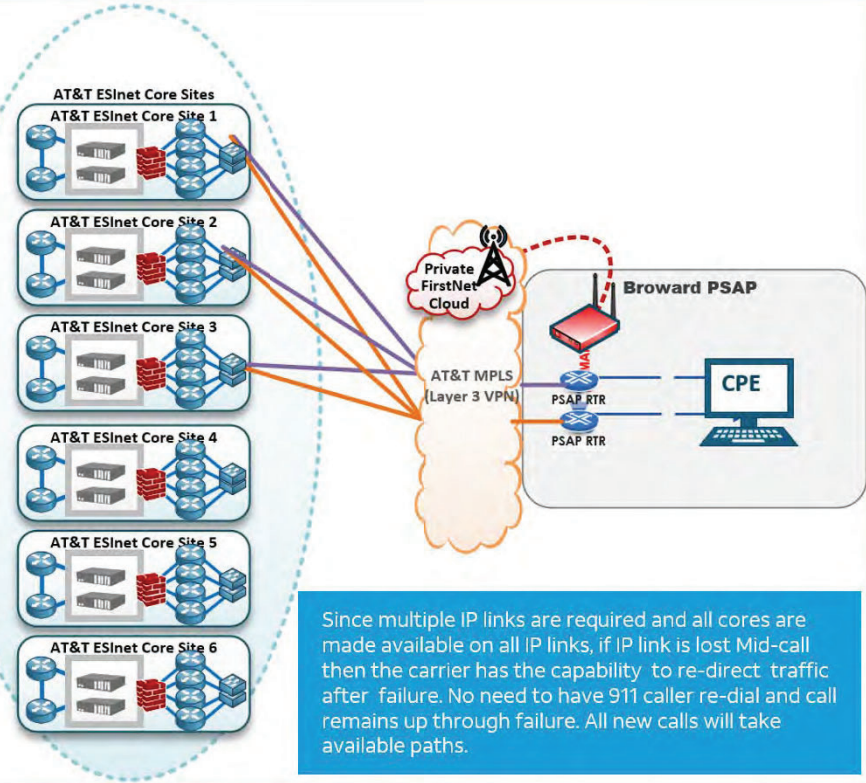
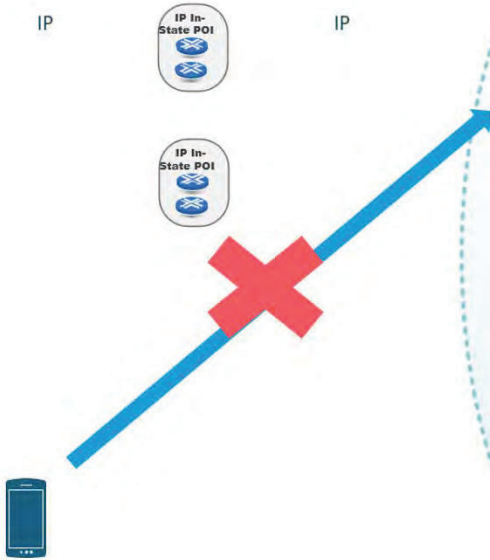
Since multiple IP links are required and all cores are made available on all IP links, if IP link is lost Mid-call then the carrier has the capability to re-direct traffic after failure. No need to have 911 caller re-dial and call remains up through failure. All new calls will take available paths.

Point of Interconnection Failure – IP/i3 In-State POI



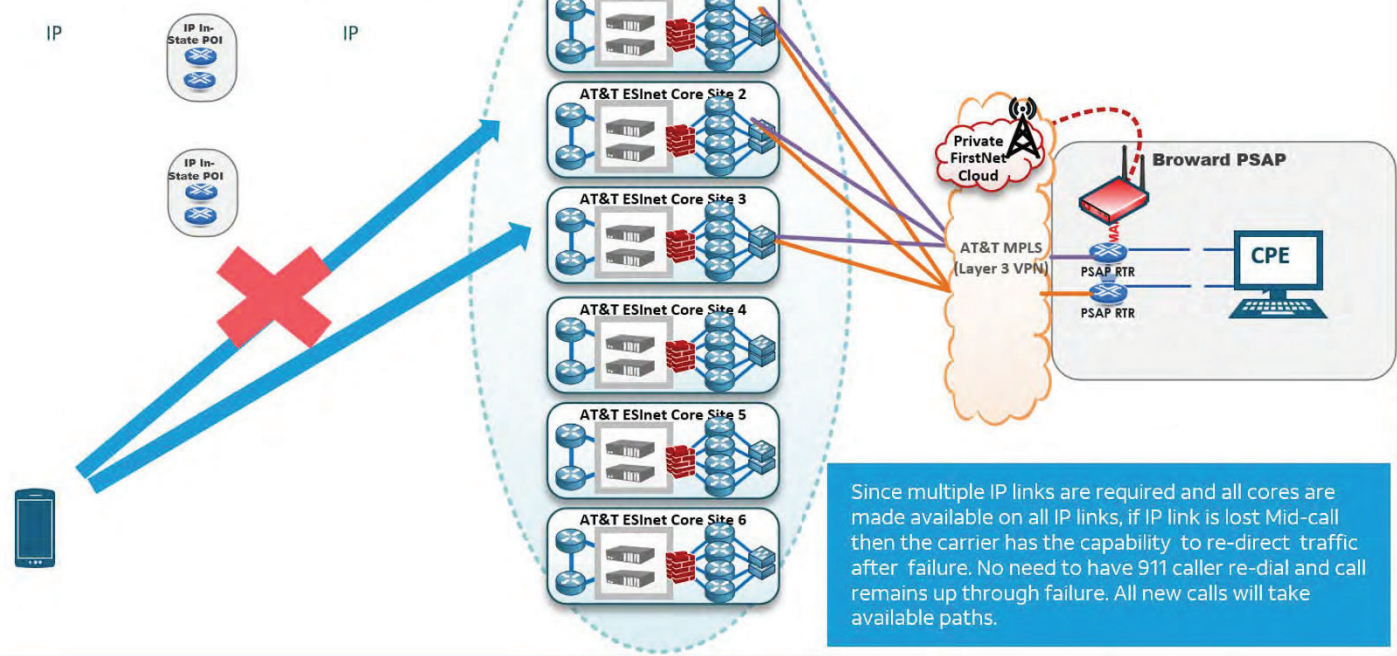
Since multiple IP links are required and all cores are made available on all IP links, if IP link is lost Mid-call then the carrier has the capability to re-direct traffic after failure. No need to have 911 caller re-dial and call remains up through failure. All new calls will take available paths.

Point of Interconnection Failure – IP/i3 In-State POI



Since multiple IP links are required and all cores are made available on all IP links, if IP link is lost Mid-call then the carrier has the capability to re-direct traffic after failure. No need to have 911 caller re-dial and call remains up through failure. All new calls will take available paths.

Point of Interconnection Failure – IP/i3 In-State POI

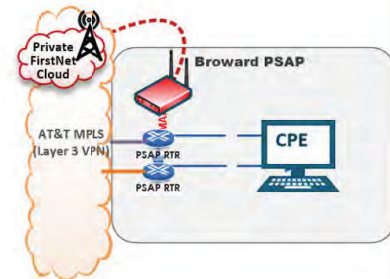
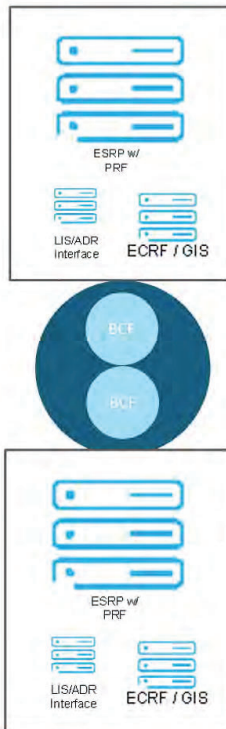


Since multiple IP links are required and all cores are made available on all IP links, if IP link is lost Mid-call then the carrier has the capability to re-direct traffic after failure. No need to have 911 caller re-dial and call remains up through failure. All new calls will take available paths.

AT&T ESInet™ Data Center Failure – Individual Component Failure

AT&T ESInet Dual Core

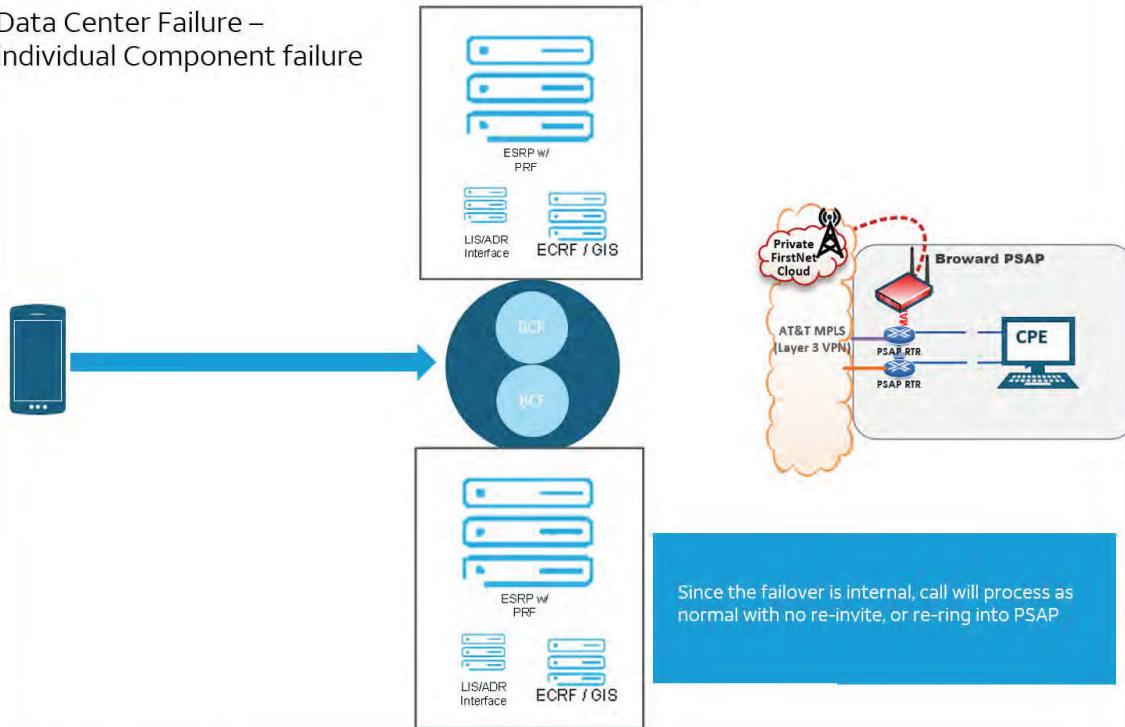
Data Center Failure – individual Component failure



Since the failover is internal, call will process as normal with no re-invite, or re-ring into PSAP

AT&T ESInet Dual Core

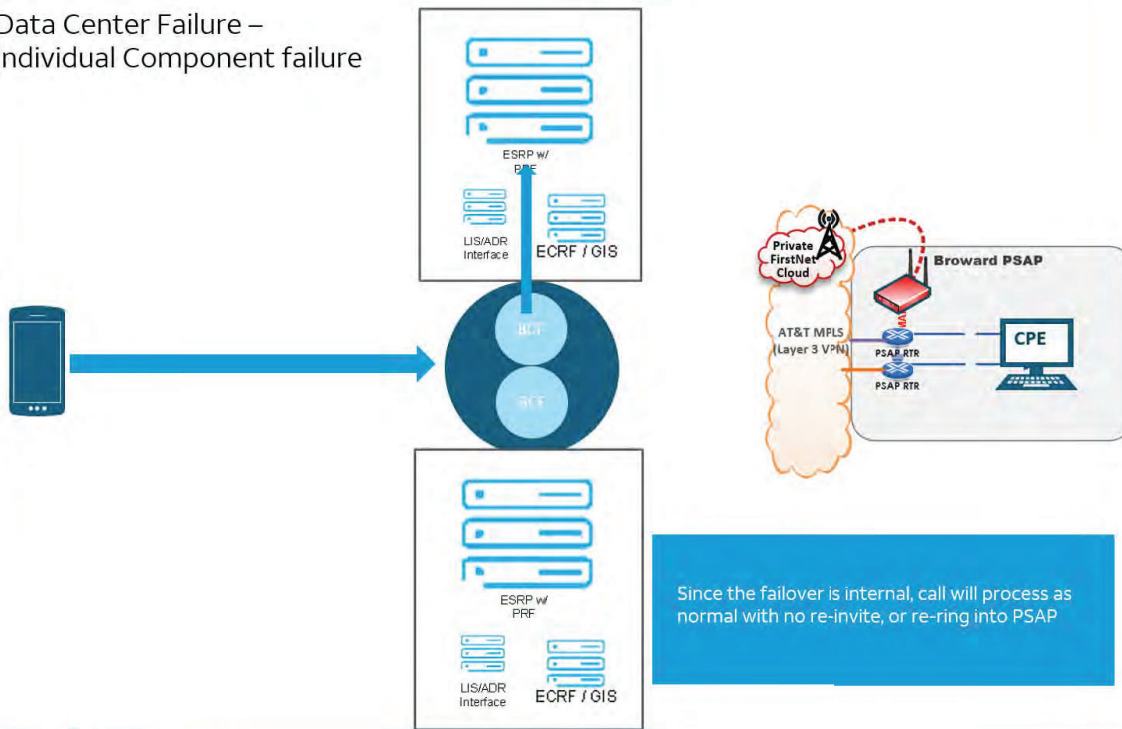
Data Center Failure – individual Component failure



Since the failover is internal, call will process as normal with no re-invite, or re-ring into PSAP

AT&T ESInet Dual Core

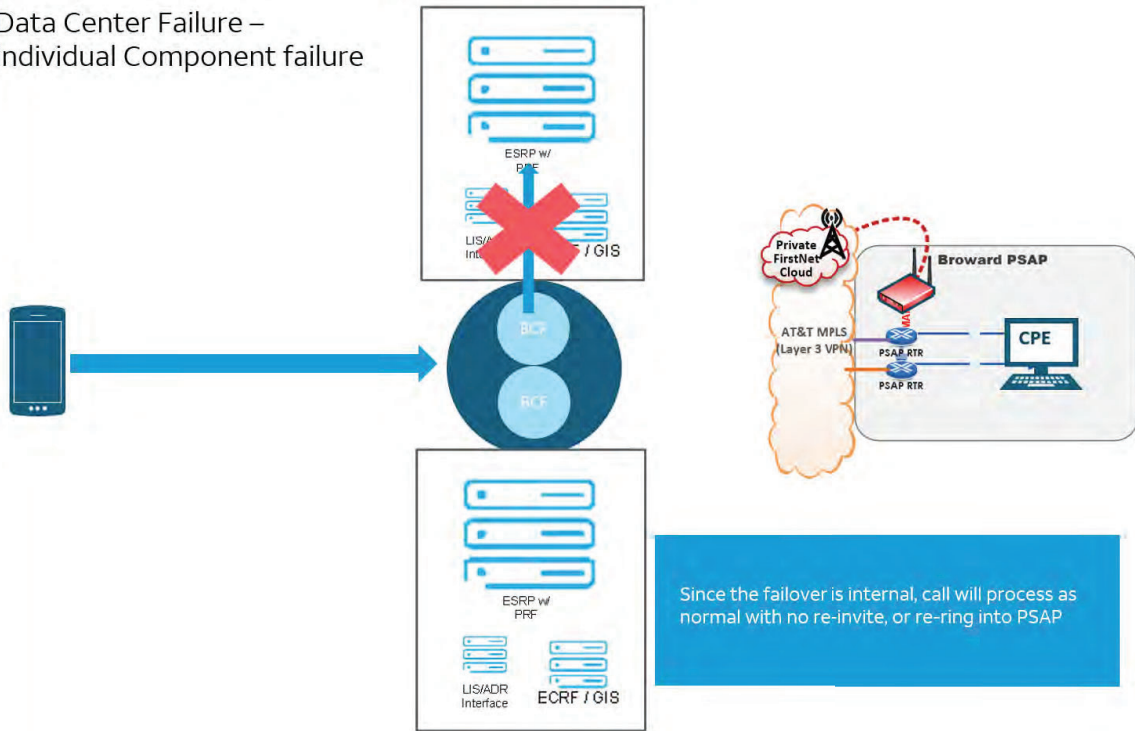
Data Center Failure – individual Component failure



Since the failover is internal, call will process as normal with no re-invite, or re-ring into PSAP

AT&T ESInet Dual Core

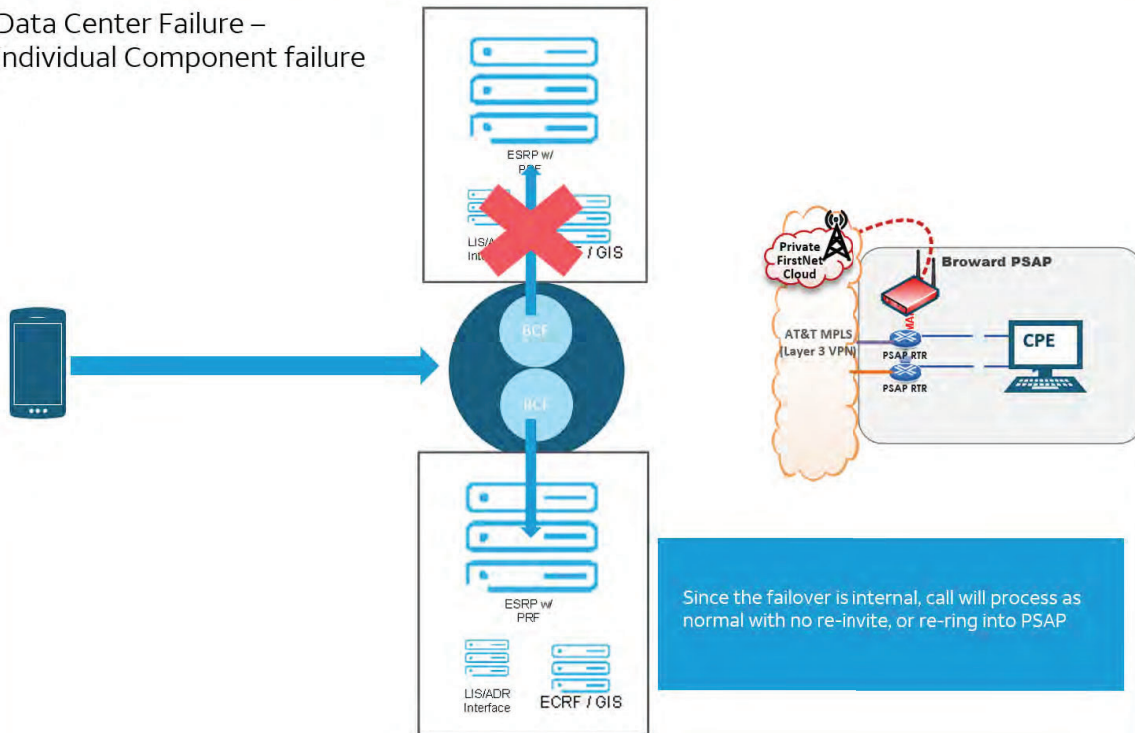
Data Center Failure – individual Component failure



Since the failover is internal, call will process as normal with no re-invite, or re-ring into PSAP

AT&T ESInet Dual Core

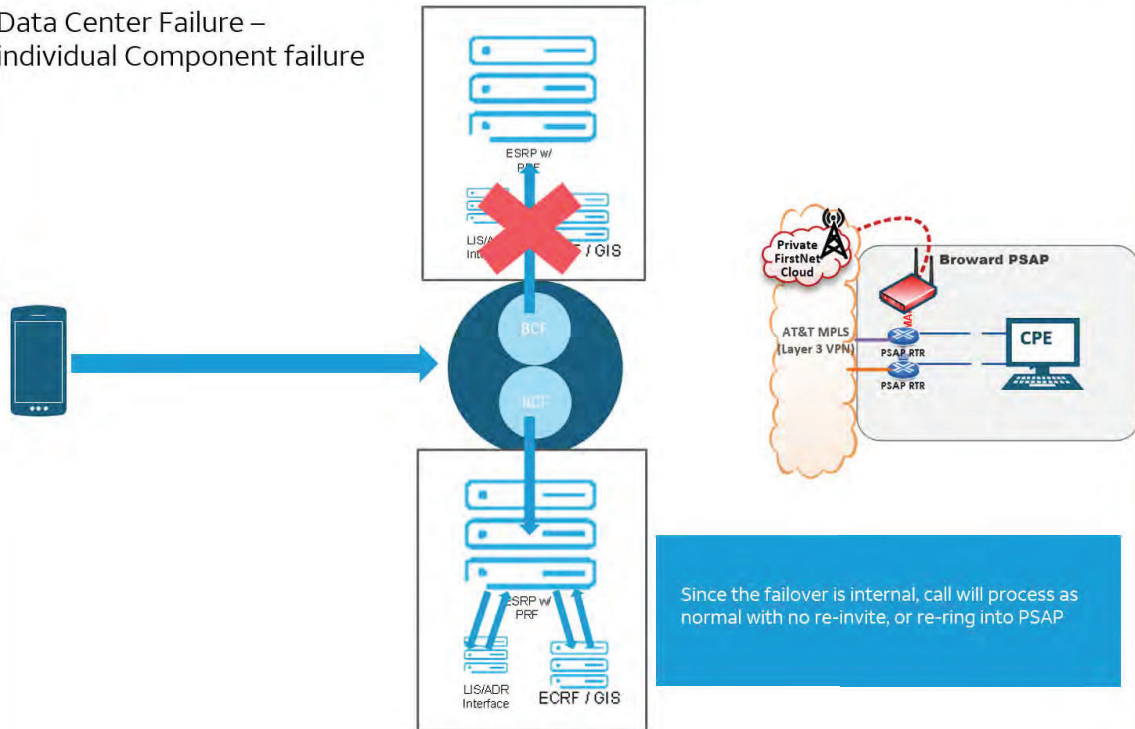
Data Center Failure – individual Component failure



Since the failover is internal, call will process as normal with no re-invite, or re-ring into PSAP

AT&T ESInet Dual Core

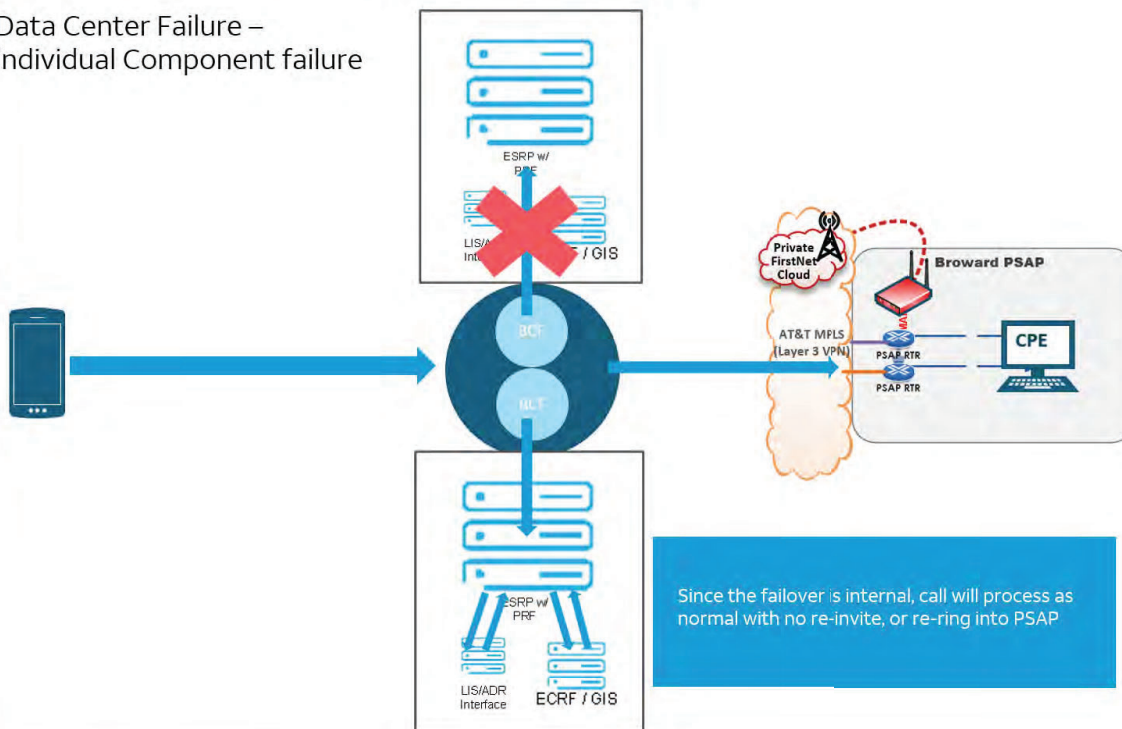
Data Center Failure – individual Component failure



Since the failover is internal, call will process as normal with no re-invite, or re-ring into PSAP

AT&T ESInet Dual Core

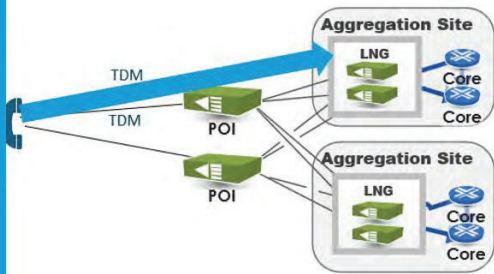
Data Center Failure – individual Component failure



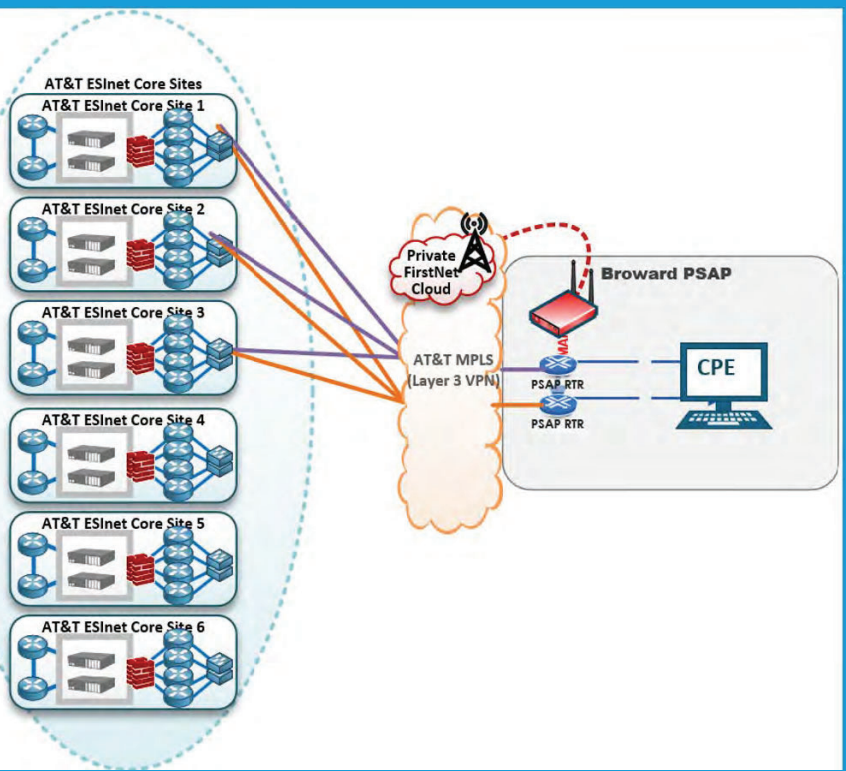
Since the failover is internal, call will process as normal with no re-invite, or re-ring into PSAP

AT&T ESInet™ Data Center Failure – Complete Site Failure – TDM

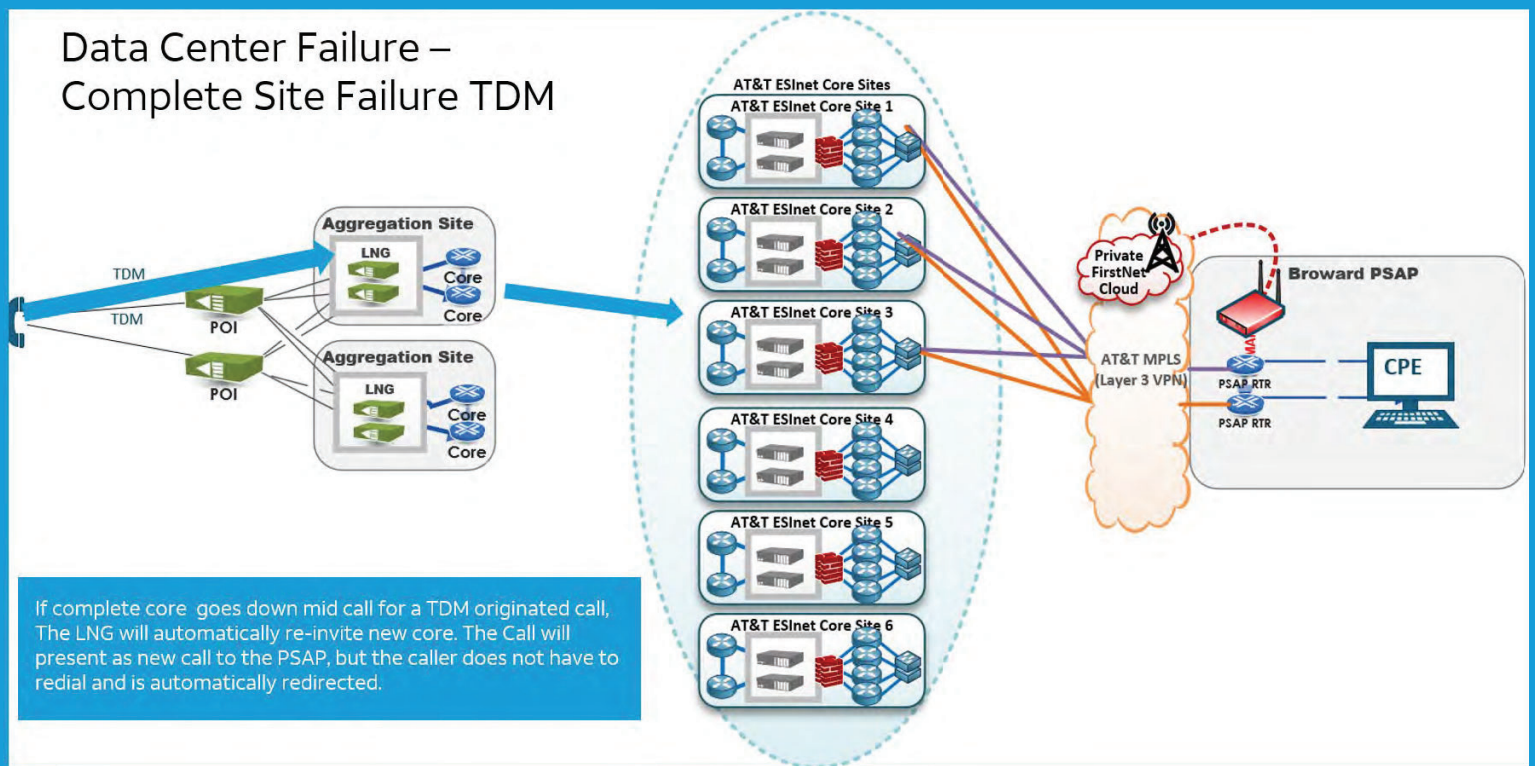
Data Center Failure – Complete Site Failure TDM



If complete core goes down mid call for a TDM originated call, The LNG will automatically re-invite new core. The Call will present as new call to the PSAP, but the caller does not have to redial and is automatically redirected.

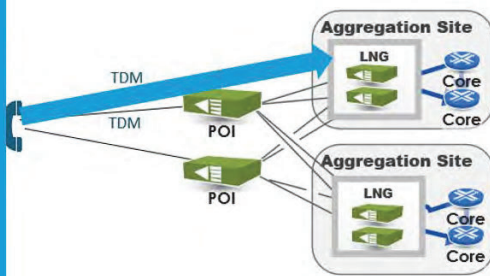


Data Center Failure – Complete Site Failure TDM

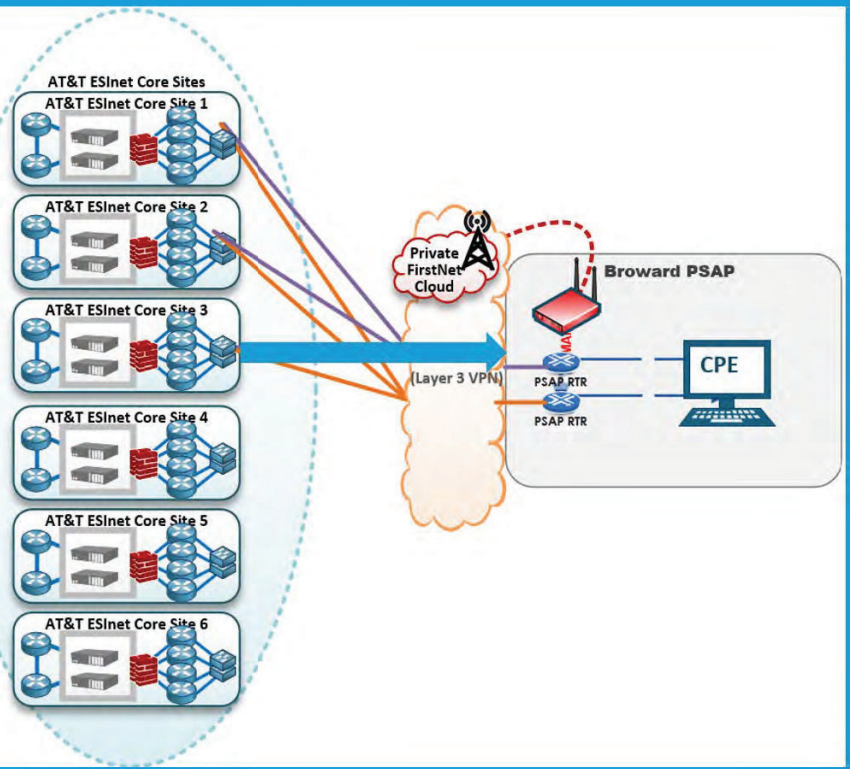


If complete core goes down mid call for a TDM originated call, The LNG will automatically re-invite new core. The Call will present as new call to the PSAP, but the caller does not have to redial and is automatically redirected.

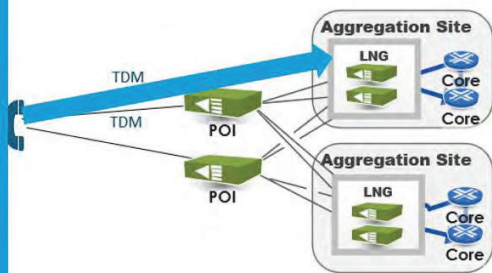
Data Center Failure – Complete Site Failure TDM



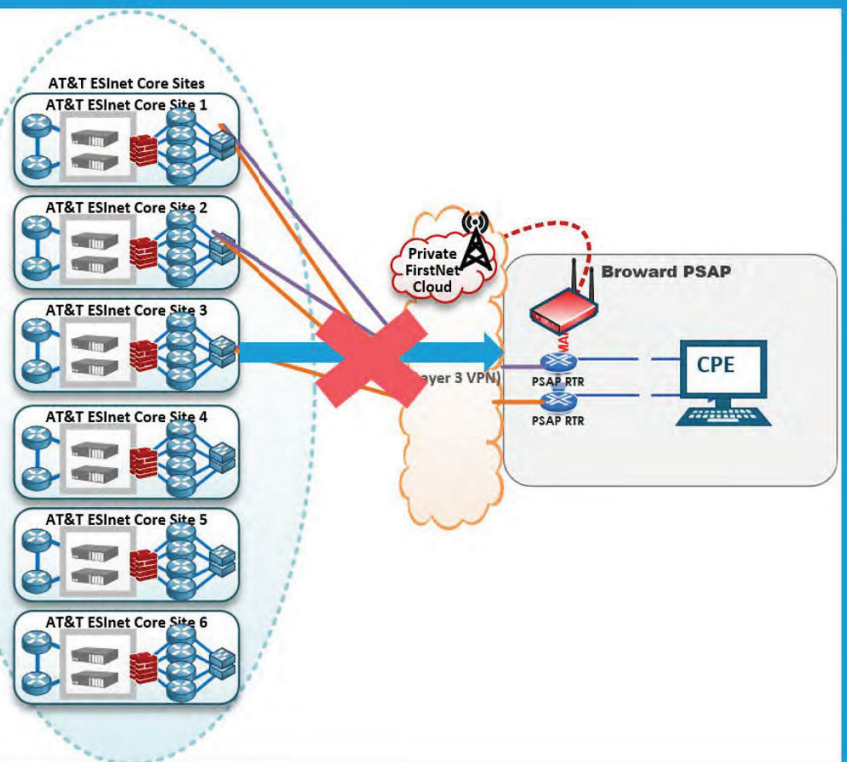
If complete core goes down mid call for a TDM originated call, The LNG will automatically re-invite new core. The Call will present as new call to the PSAP, but the caller does not have to redial and is automatically redirected.



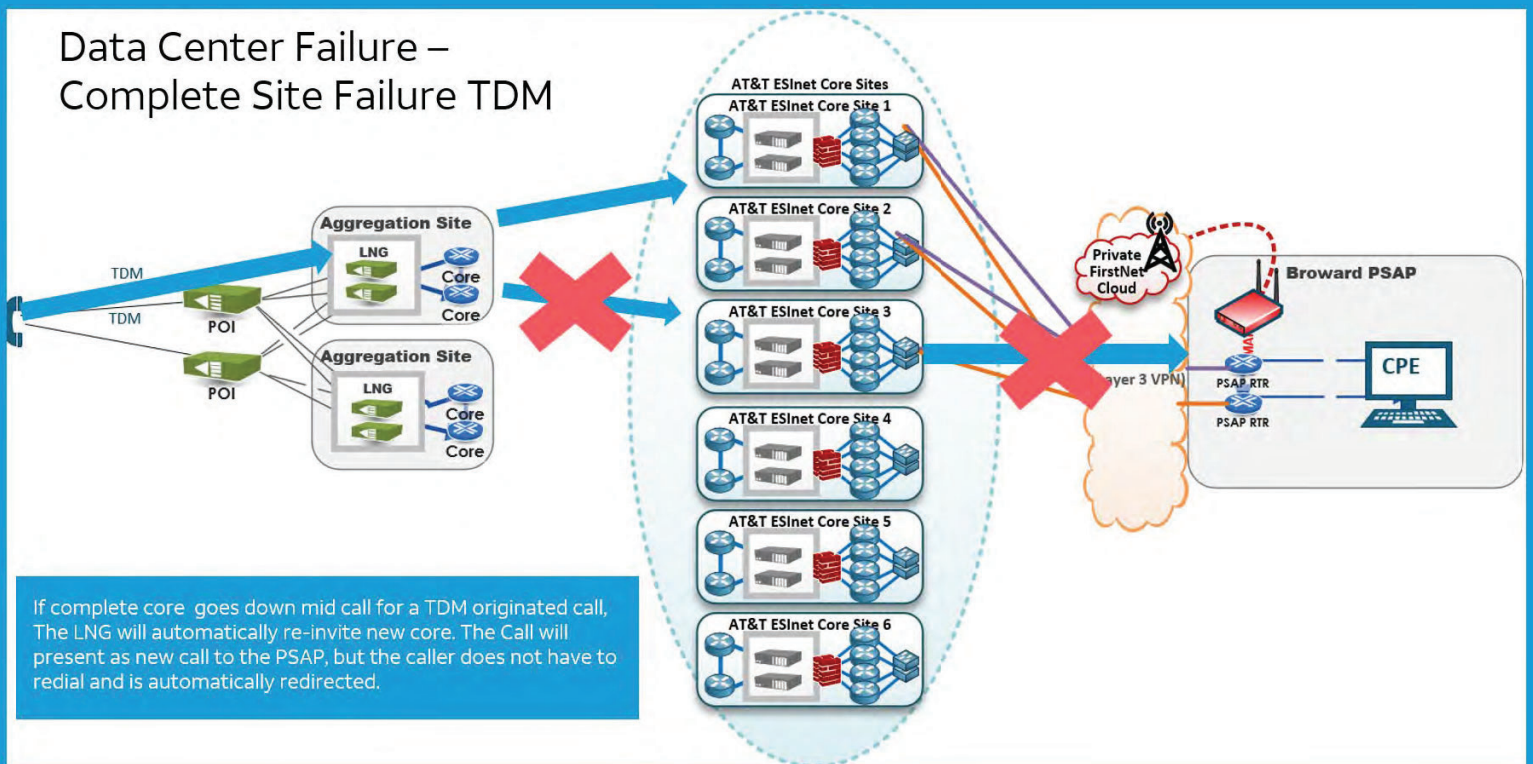
Data Center Failure – Complete Site Failure TDM



If complete core goes down mid call for a TDM originated call, The LNG will automatically re-invite new core. The Call will present as new call to the PSAP, but the caller does not have to redial and is automatically redirected.

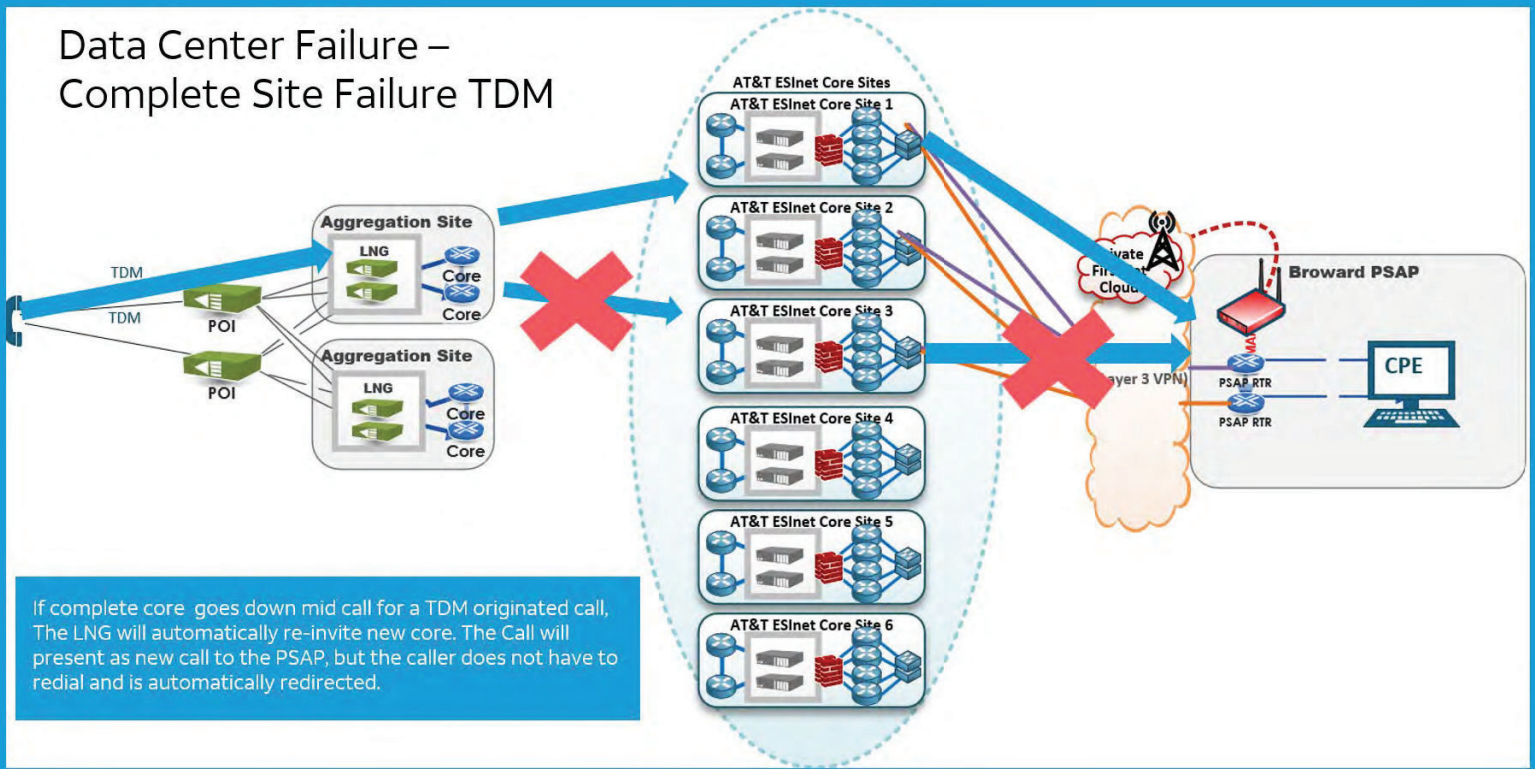


Data Center Failure – Complete Site Failure TDM



If complete core goes down mid call for a TDM originated call, The LNG will automatically re-invite new core. The Call will present as new call to the PSAP, but the caller does not have to redial and is automatically redirected.

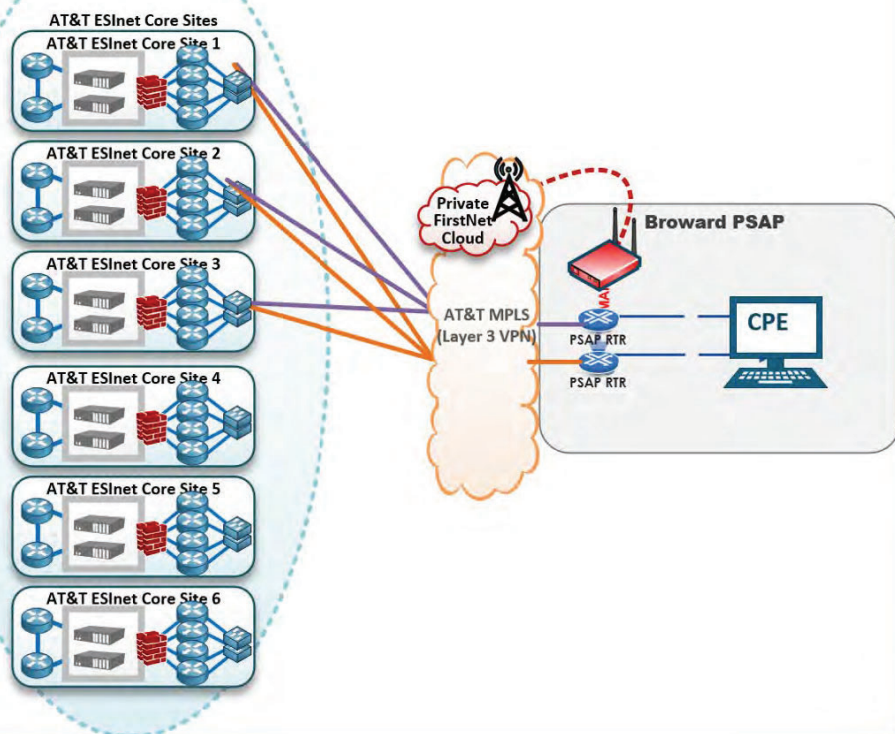
Data Center Failure – Complete Site Failure TDM



If complete core goes down mid call for a TDM originated call, The LNG will automatically re-invite new core. The Call will present as new call to the PSAP, but the caller does not have to redial and is automatically redirected.

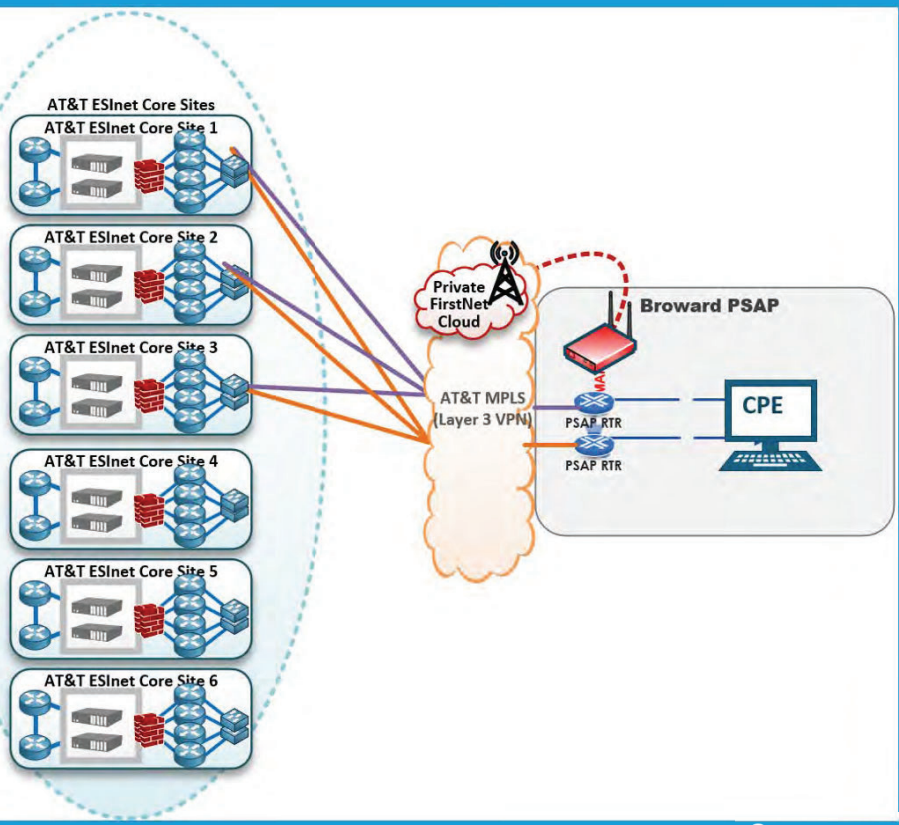
AT&T ESInet™ Data Center Failure – Complete Site Failure – IP

Data Center Failure – Complete Site Failure IP



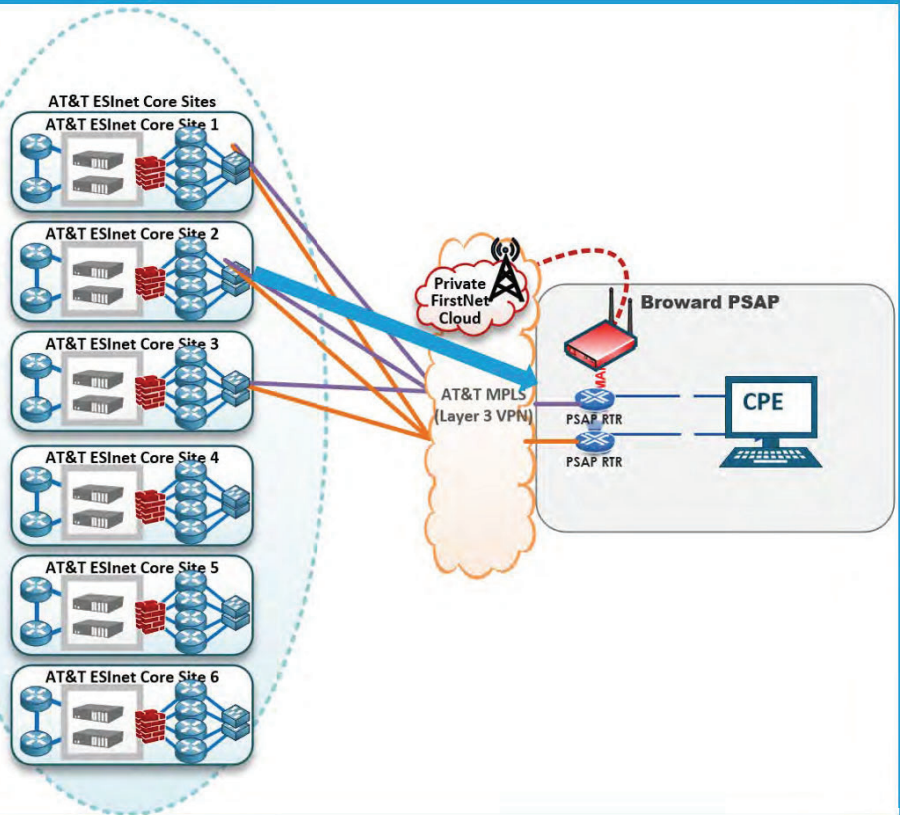
Since multiple IP Destinations are provided and all cores are made available on all IP links, if Core IP destination is lost Mid-call to new IP. No need to have 911 caller re-dial and call is presented to PSAP as new call. All new calls will take available paths.

Data Center Failure – Complete Site Failure IP



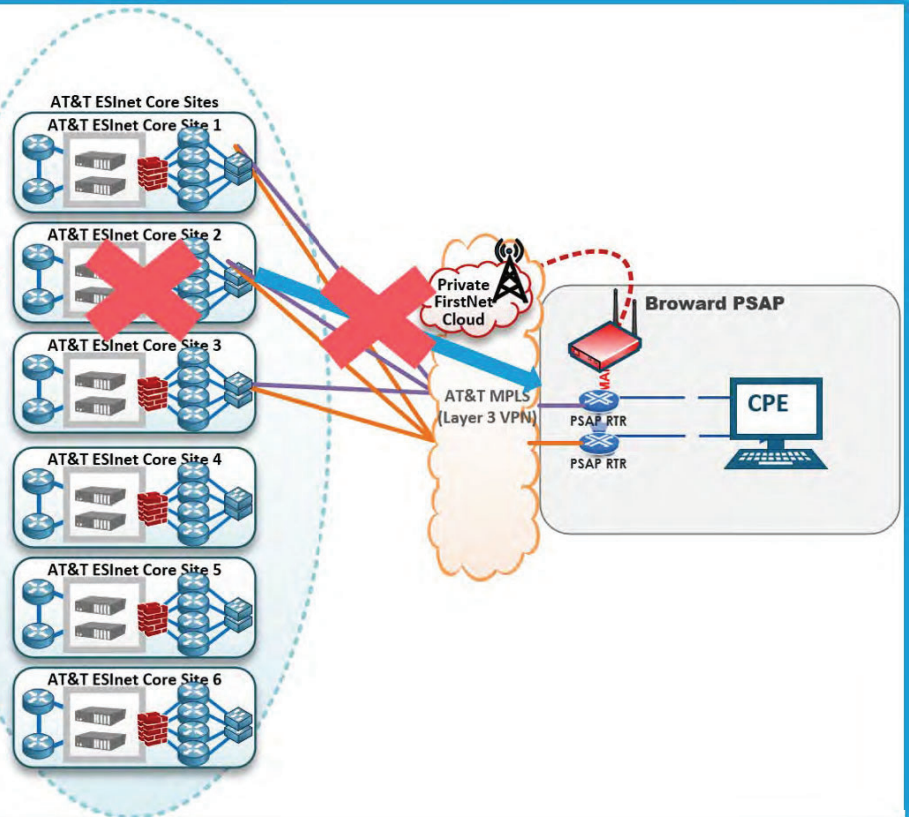
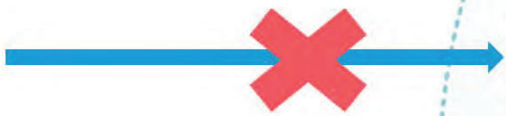
Since multiple IP Destinations are provided and all cores are made available on all IP links, if Core IP destination is lost Mid-call to new IP. No need to have 911 caller re-dial and call is presented to PSAP as new call. All new calls will take available paths.

Data Center Failure – Complete Site Failure IP



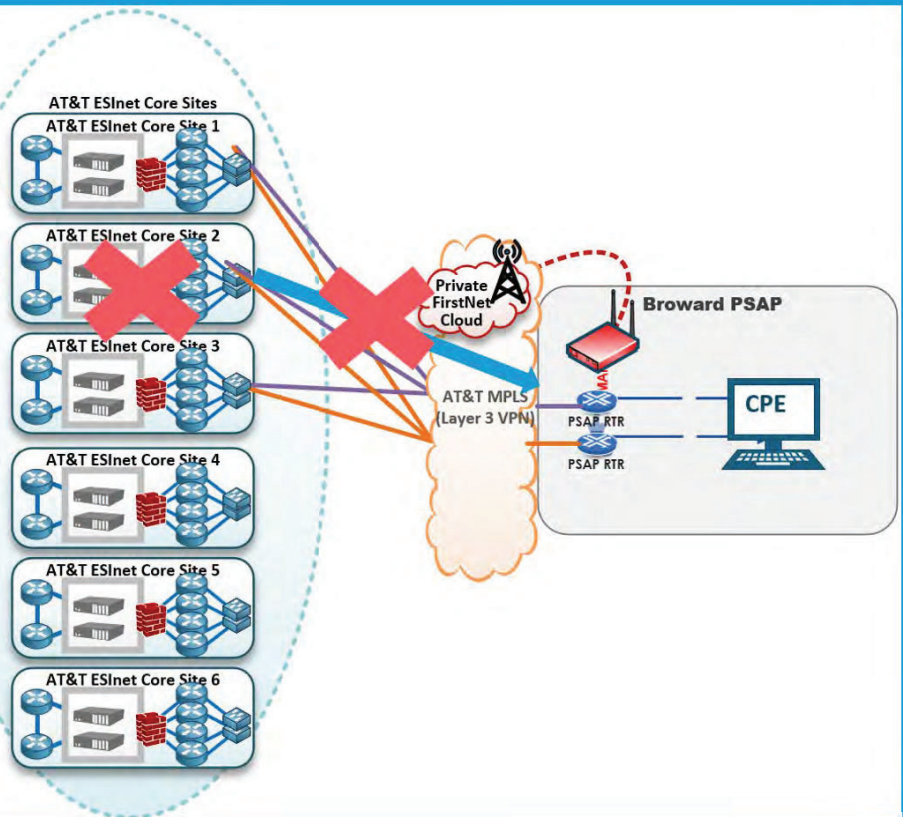
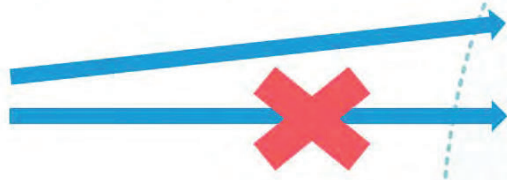
Since multiple IP Destinations are provided and all cores are made available on all IP links, if Core IP destination is lost Mid-call to new IP. No need to have 911 caller re-dial and call is presented to PSAP as new call. All new calls will take available paths.

Data Center Failure – Complete Site Failure IP



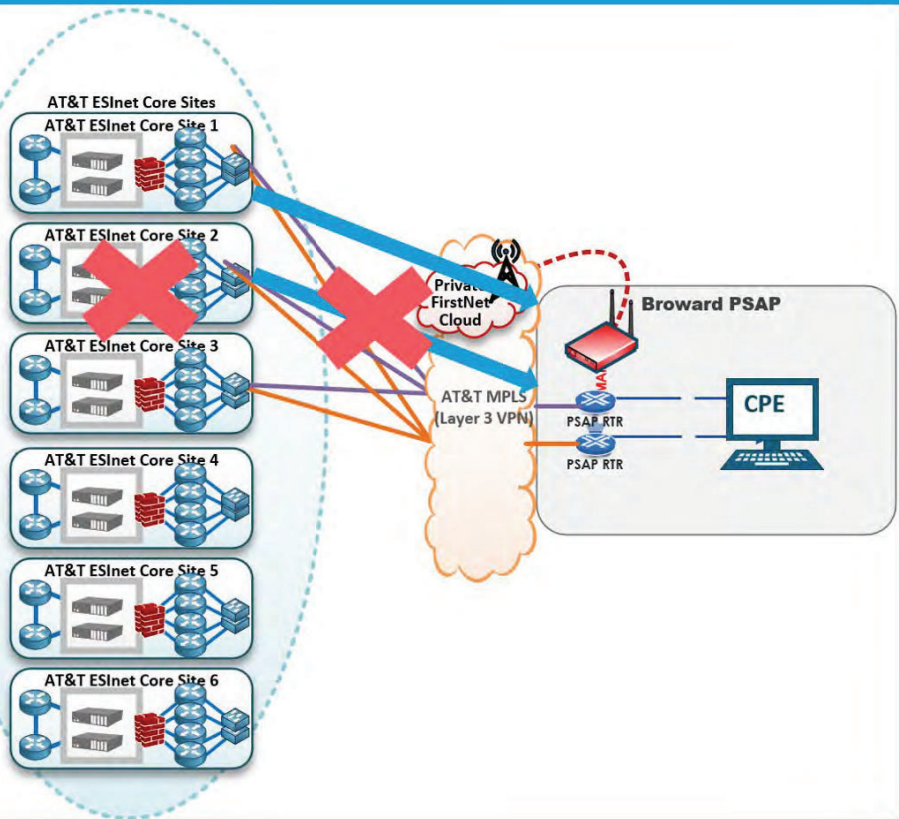
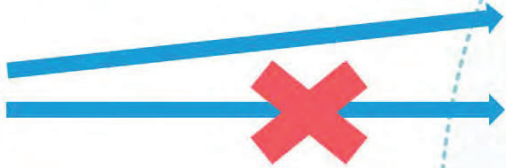
Since multiple IP Destinations are provided and all cores are made available on all IP links, if Core IP destination is lost Mid-call to new IP. No need to have 911 caller re-dial and call is presented to PSAP as new call. All new calls will take available paths.

Data Center Failure – Complete Site Failure IP



Since multiple IP Destinations are provided and all cores are made available on all IP links, if Core IP destination is lost Mid-call to new IP. No need to have 911 caller re-dial and call is presented to PSAP as new call. All new calls will take available paths.

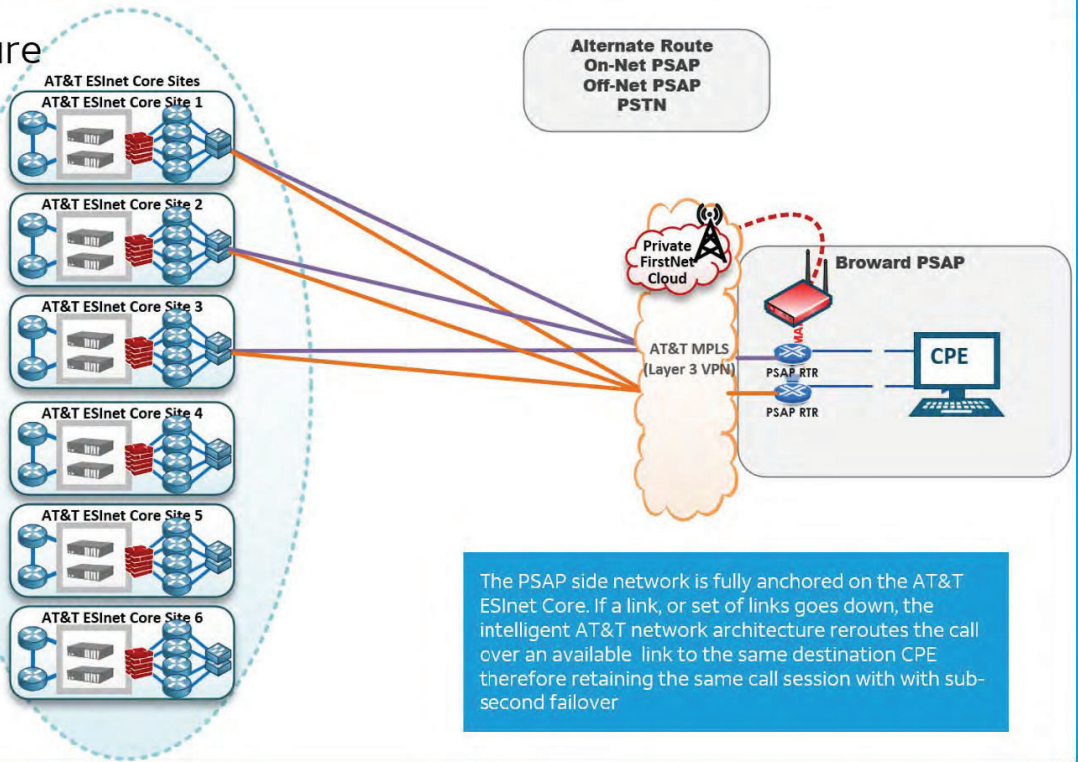
Data Center Failure – Complete Site Failure IP



Since multiple IP Destinations are provided and all cores are made available on all IP links, if Core IP destination is lost Mid-call to new IP. No need to have 911 caller re-dial and call is presented to PSAP as new call. All new calls will take available paths.

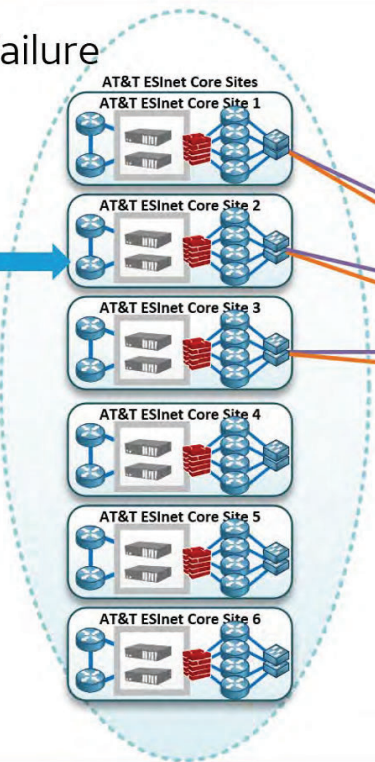
AT&T ESInet™ Network Provider Failure – One Side

Network Provider Failure One-Side

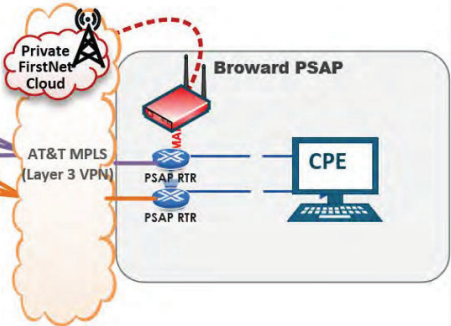


The PSAP side network is fully anchored on the AT&T ESInet Core. If a link, or set of links goes down, the intelligent AT&T network architecture reroutes the call over an available link to the same destination CPE therefore retaining the same call session with with sub-second failover

Network Provider Failure One-Side

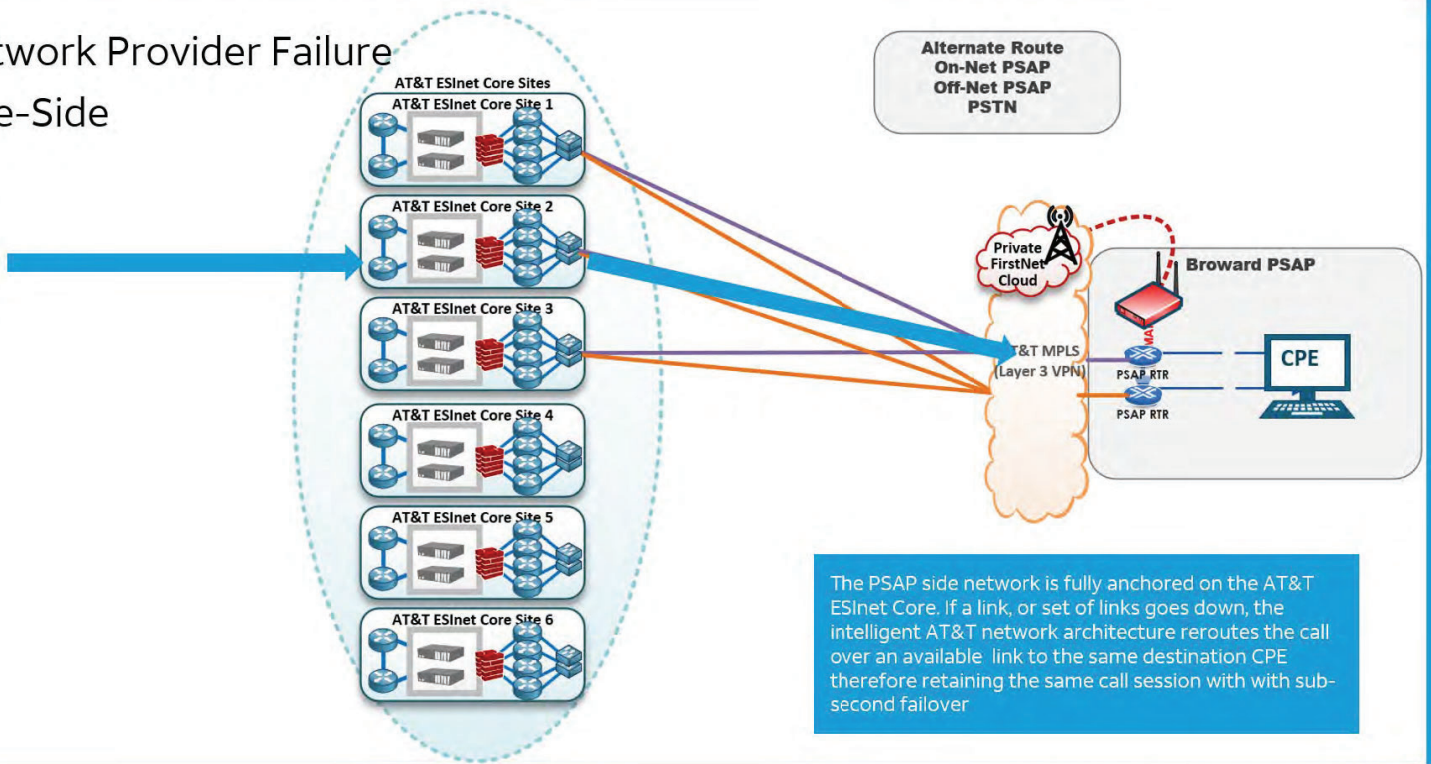


Alternate Route
On-Net PSAP
Off-Net PSAP
PSTN



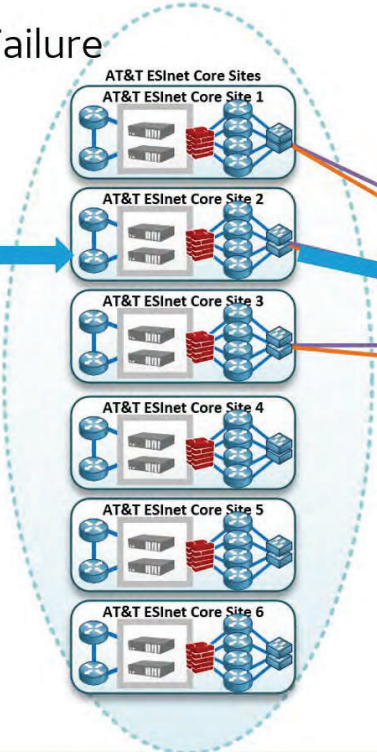
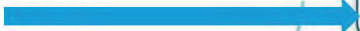
The PSAP side network is fully anchored on the AT&T ESInet Core. If a link, or set of links goes down, the intelligent AT&T network architecture reroutes the call over an available link to the same destination CPE therefore retaining the same call session with sub-second failover

Network Provider Failure One-Side

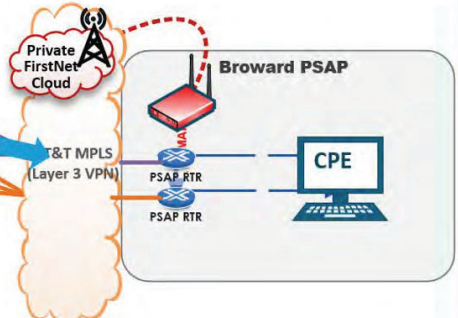


The PSAP side network is fully anchored on the AT&T ESInet Core. If a link, or set of links goes down, the intelligent AT&T network architecture reroutes the call over an available link to the same destination CPE therefore retaining the same call session with with sub-second failover

Network Provider Failure One-Side

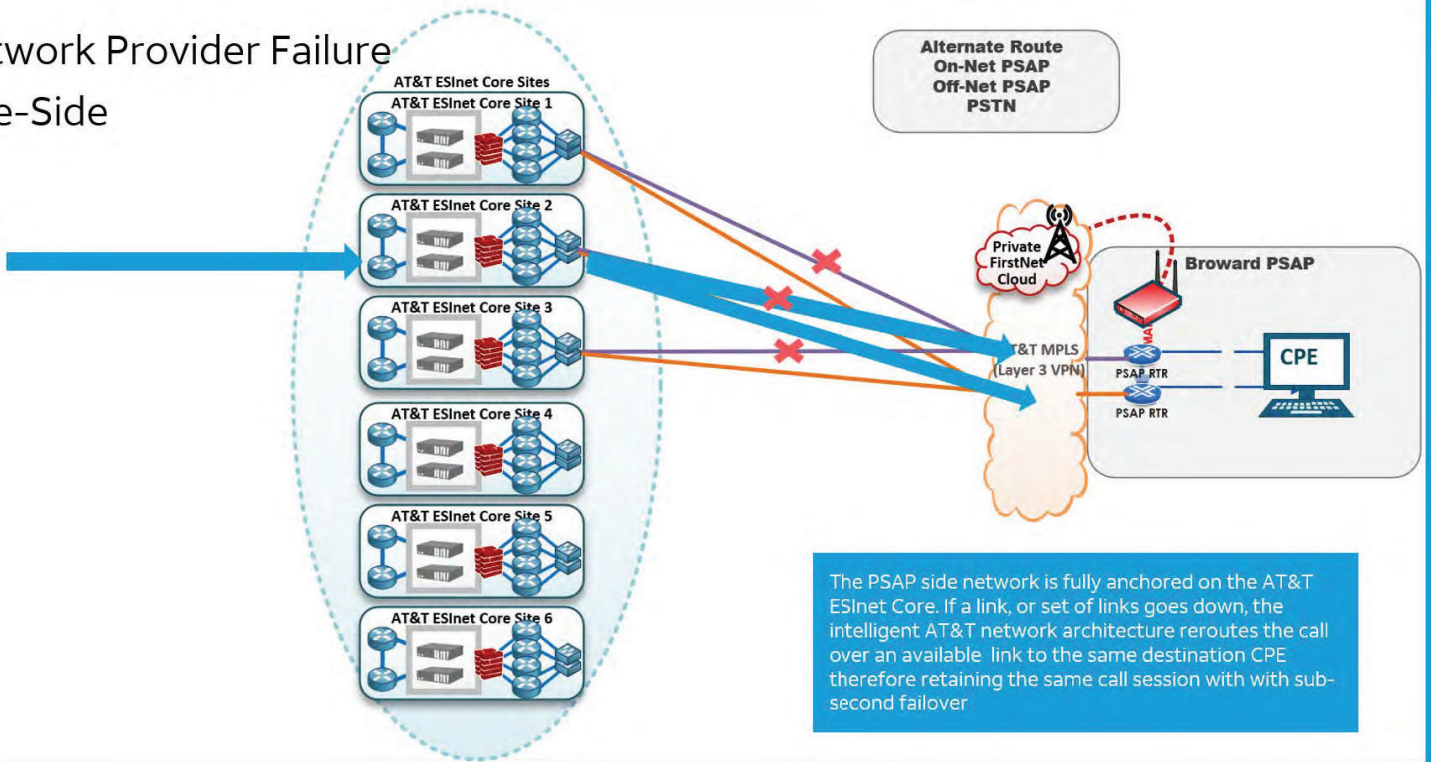


Alternate Route
On-Net PSAP
Off-Net PSAP
PSTN



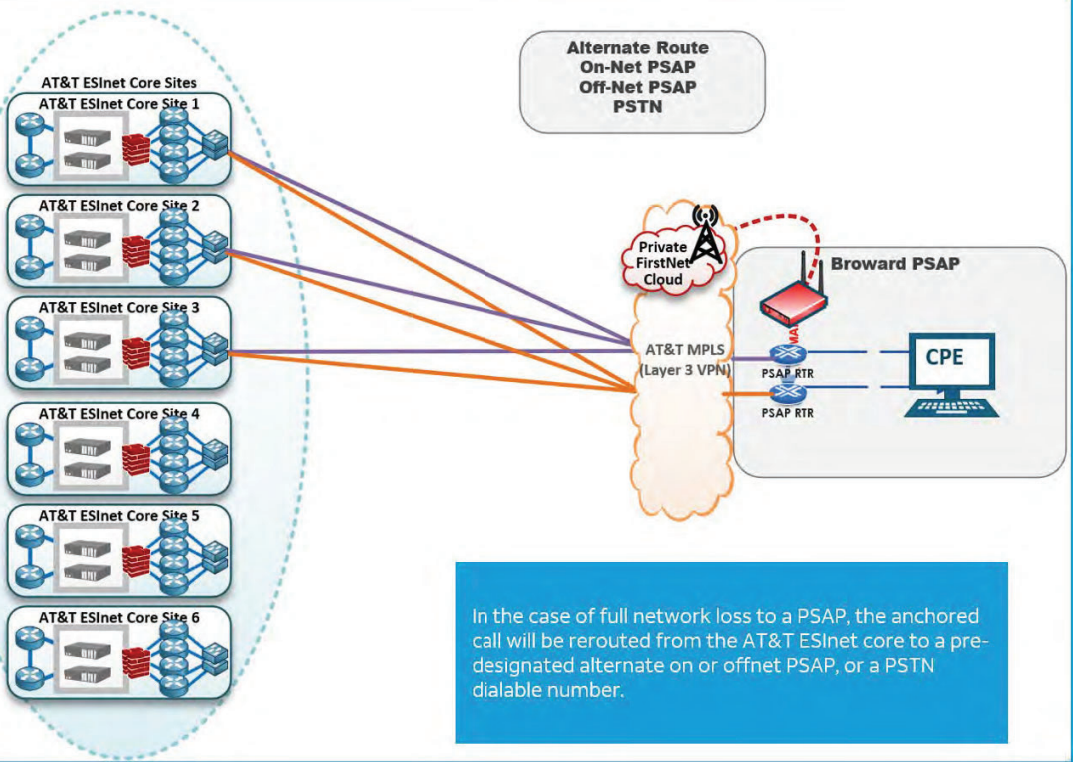
The PSAP side network is fully anchored on the AT&T ESInet Core. If a link, or set of links goes down, the intelligent AT&T network architecture reroutes the call over an available link to the same destination CPE therefore retaining the same call session with with sub-second failover

Network Provider Failure One-Side



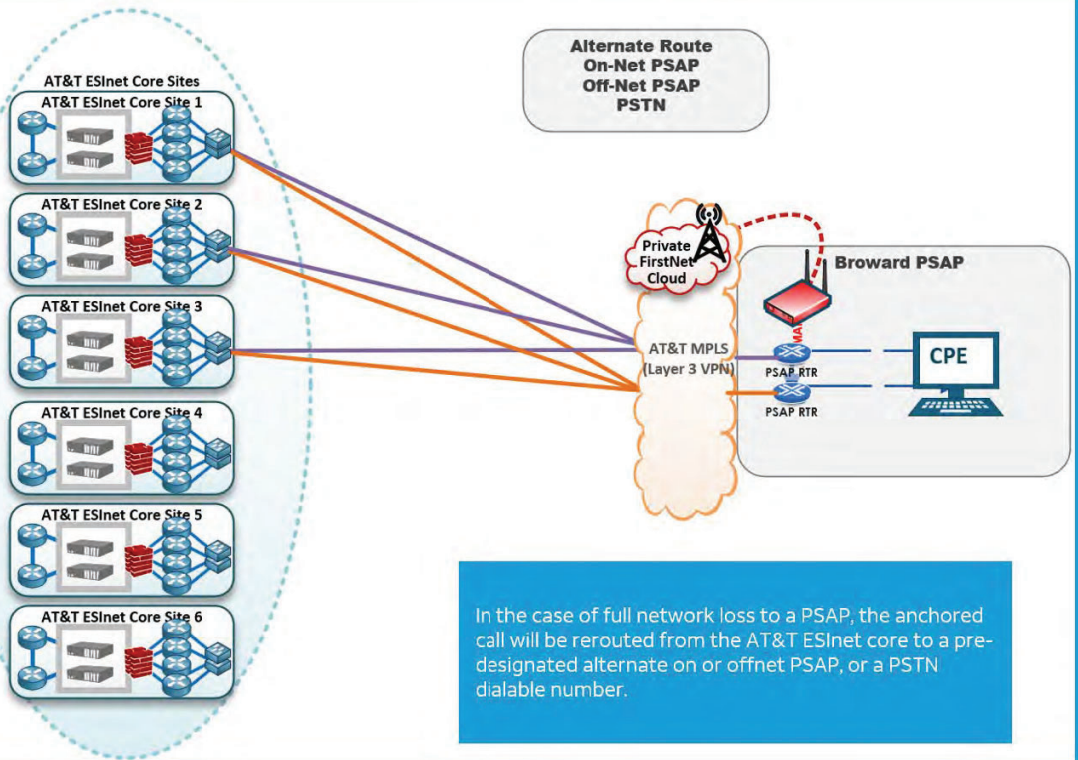
AT&T ESInet™ Total PSAP Network Failure

Total PSAP Network Failure



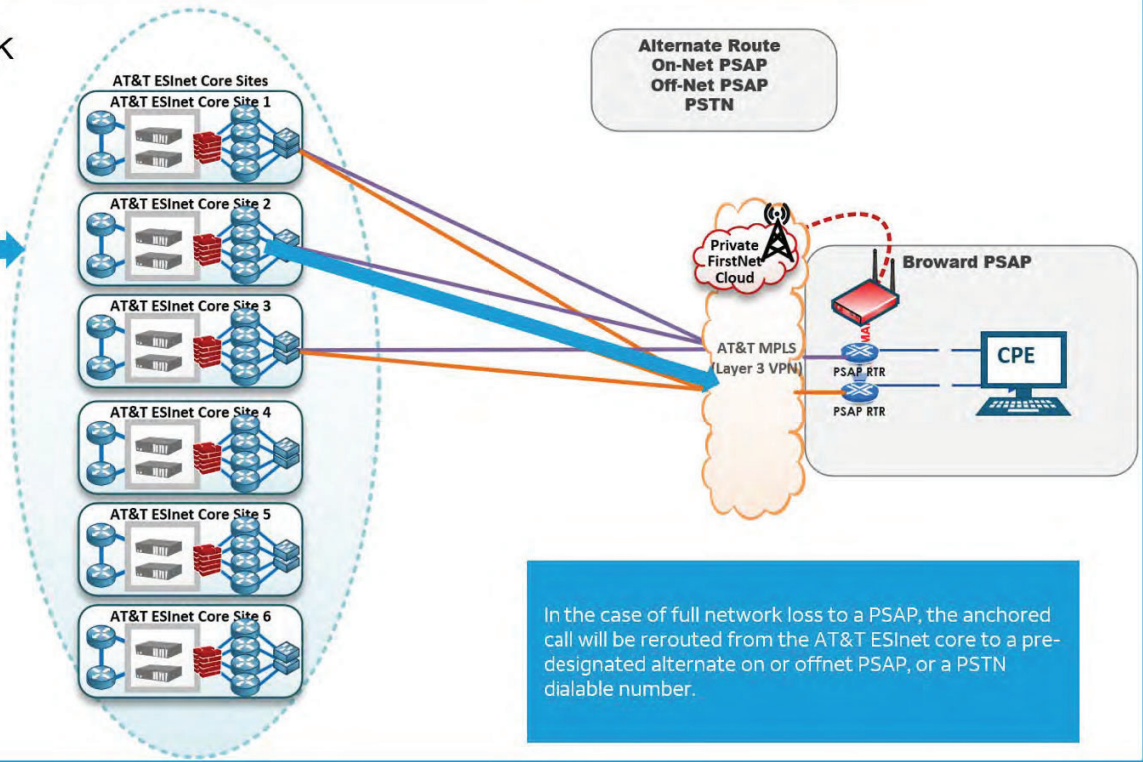
In the case of full network loss to a PSAP, the anchored call will be rerouted from the AT&T ESInet core to a pre-designated alternate on or offnet PSAP, or a PSTN dialable number.

Total PSAP Network Failure



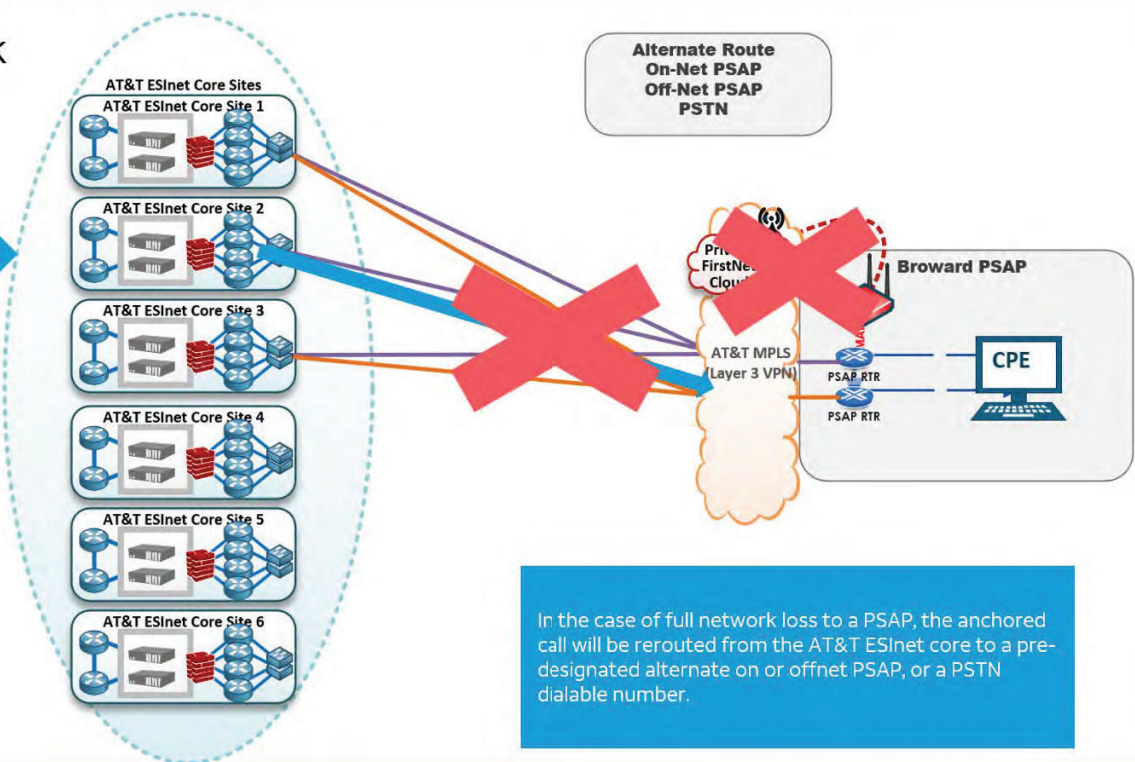
In the case of full network loss to a PSAP, the anchored call will be rerouted from the AT&T ESInet core to a pre-designated alternate on or offnet PSAP, or a PSTN dialable number.

Total PSAP Network Failure



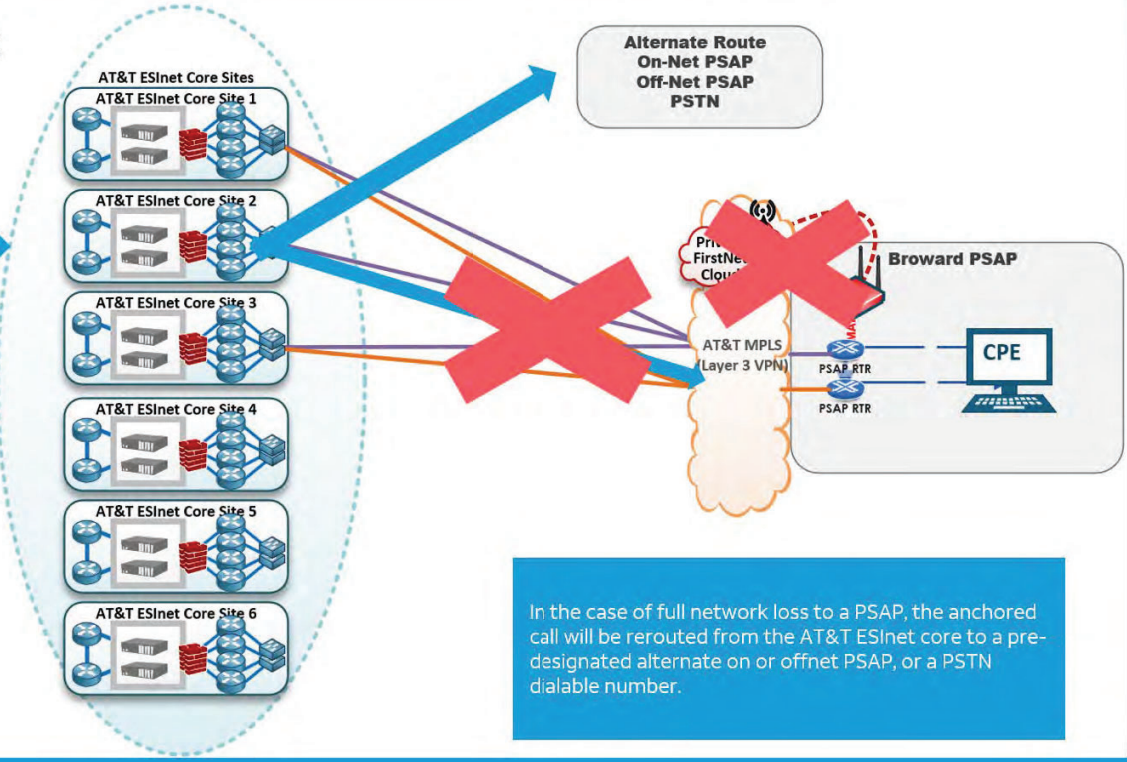
In the case of full network loss to a PSAP, the anchored call will be rerouted from the AT&T ESInet core to a pre-designated alternate on or offnet PSAP, or a PSTN dialable number.

Total PSAP Network Failure



In the case of full network loss to a PSAP, the anchored call will be rerouted from the AT&T ESInet core to a pre-designated alternate on or offnet PSAP, or a PSTN dialable number.

Total PSAP Network Failure



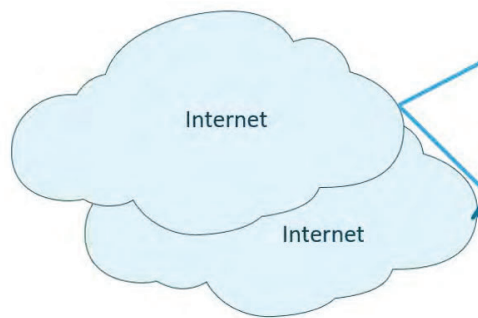
In the case of full network loss to a PSAP, the anchored call will be rerouted from the AT&T ESInet core to a pre-designated alternate on or offnet PSAP, or a PSTN dialable number.

AT&T ESInet™ Customer Management Portal (CMP) Failure

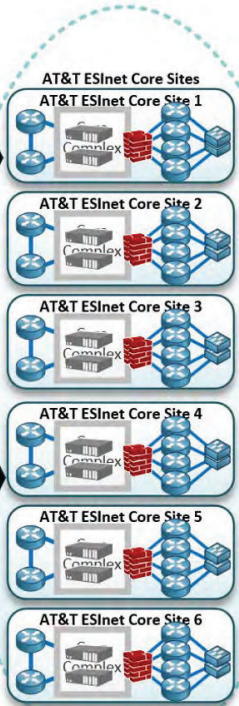
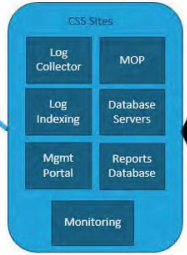
CMP (Customer) Portal Failure



Phone Call



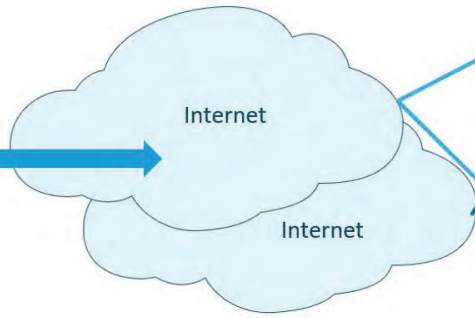
AT&T
Res
Center



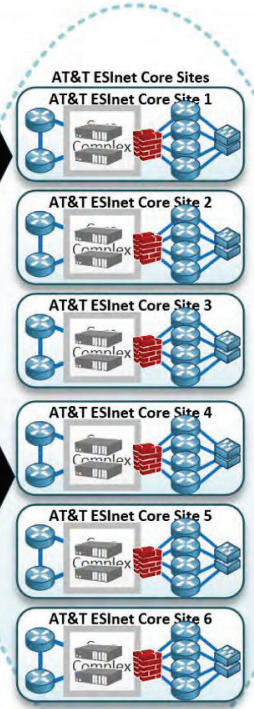
CMP (Customer) Portal Failure



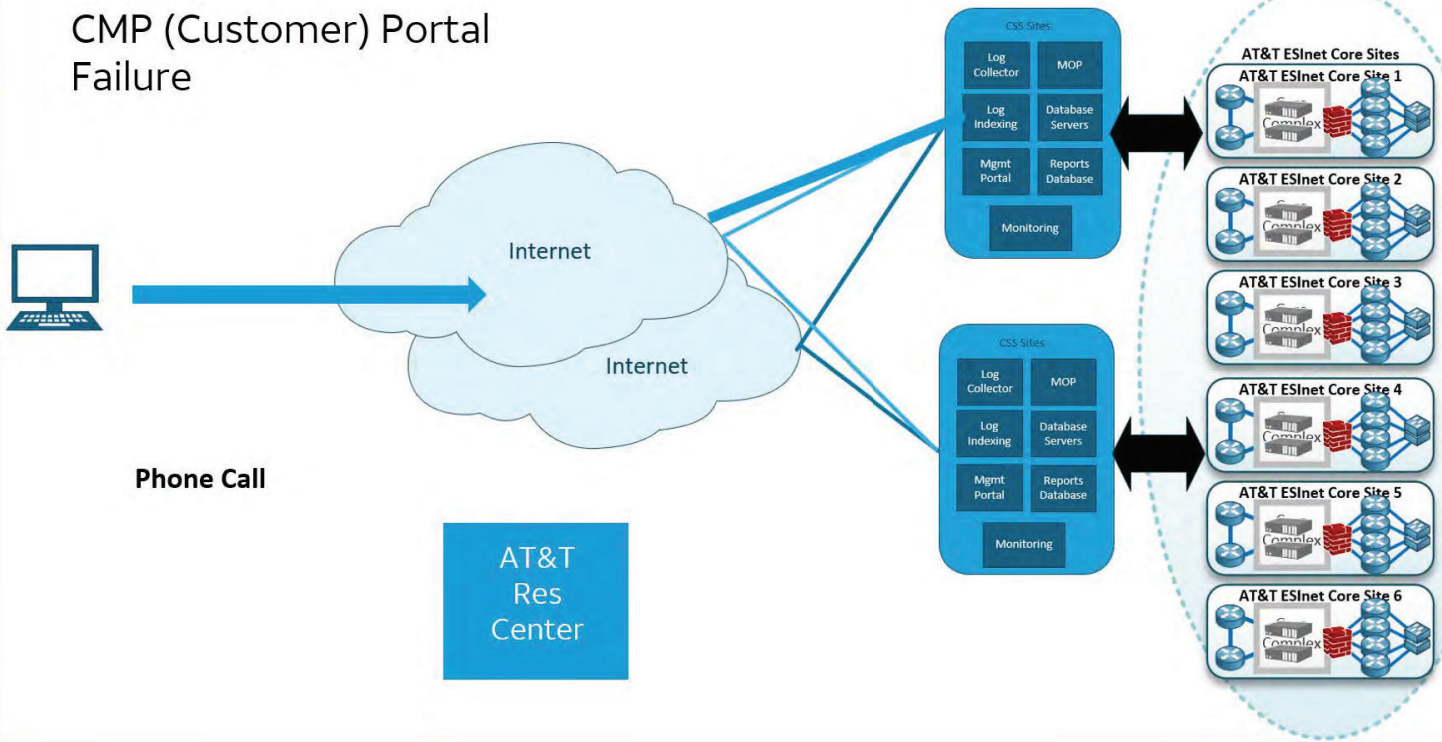
Phone Call



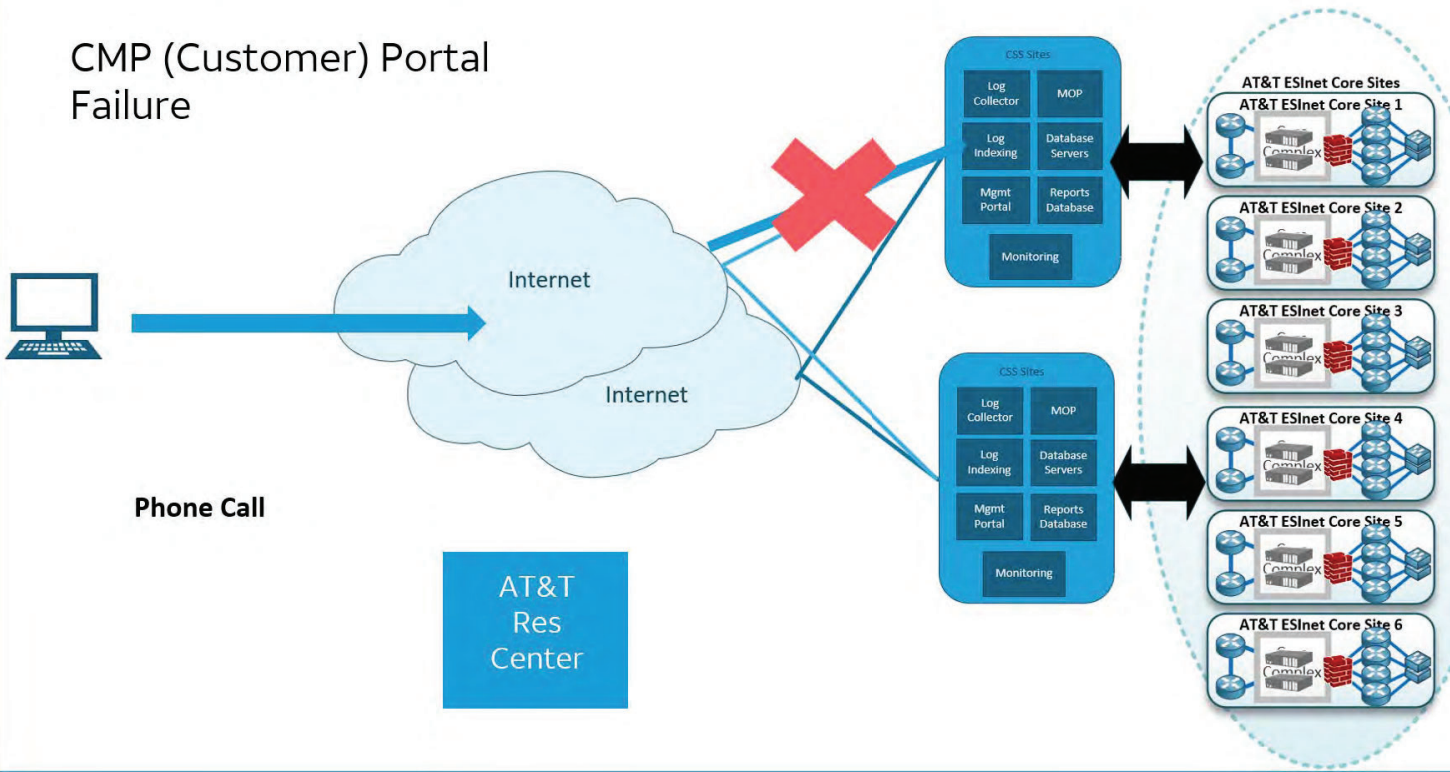
AT&T
Res
Center



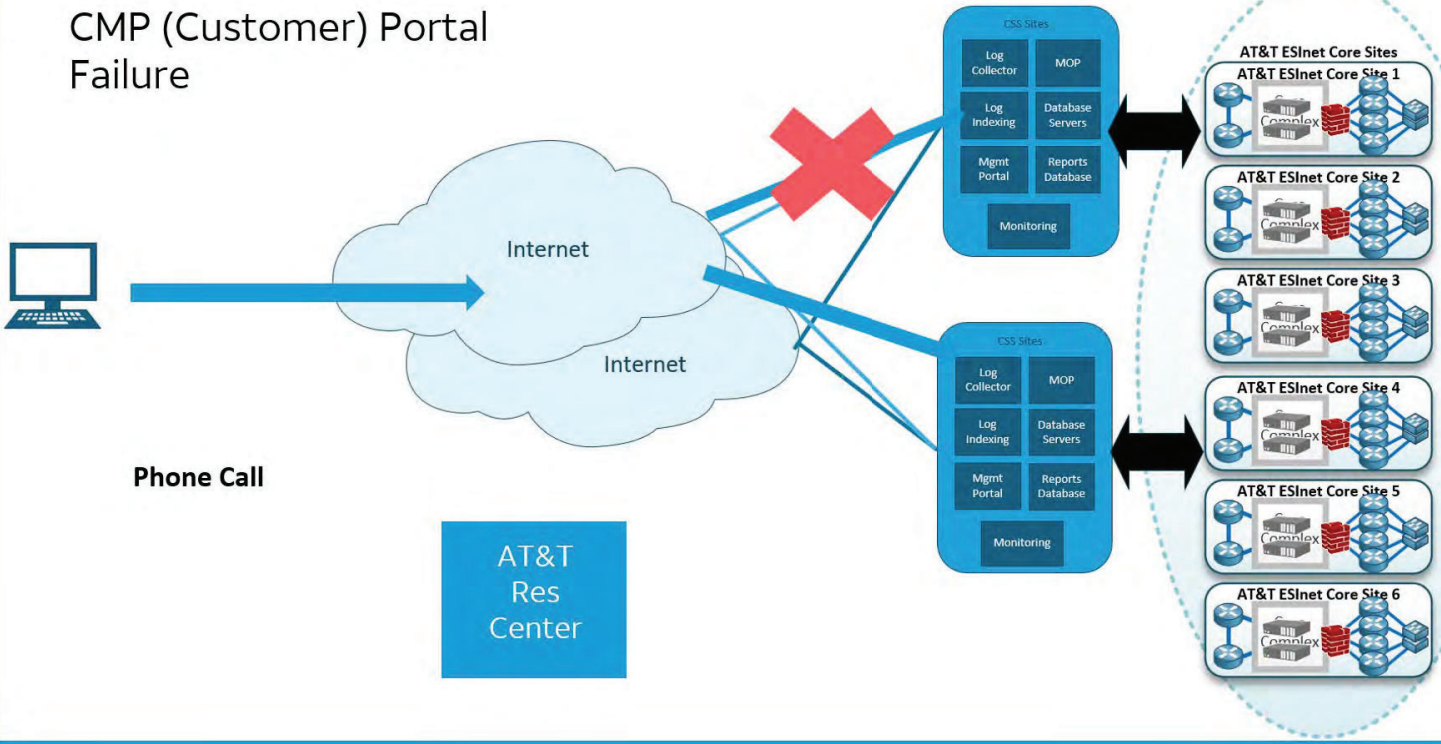
CMP (Customer) Portal Failure



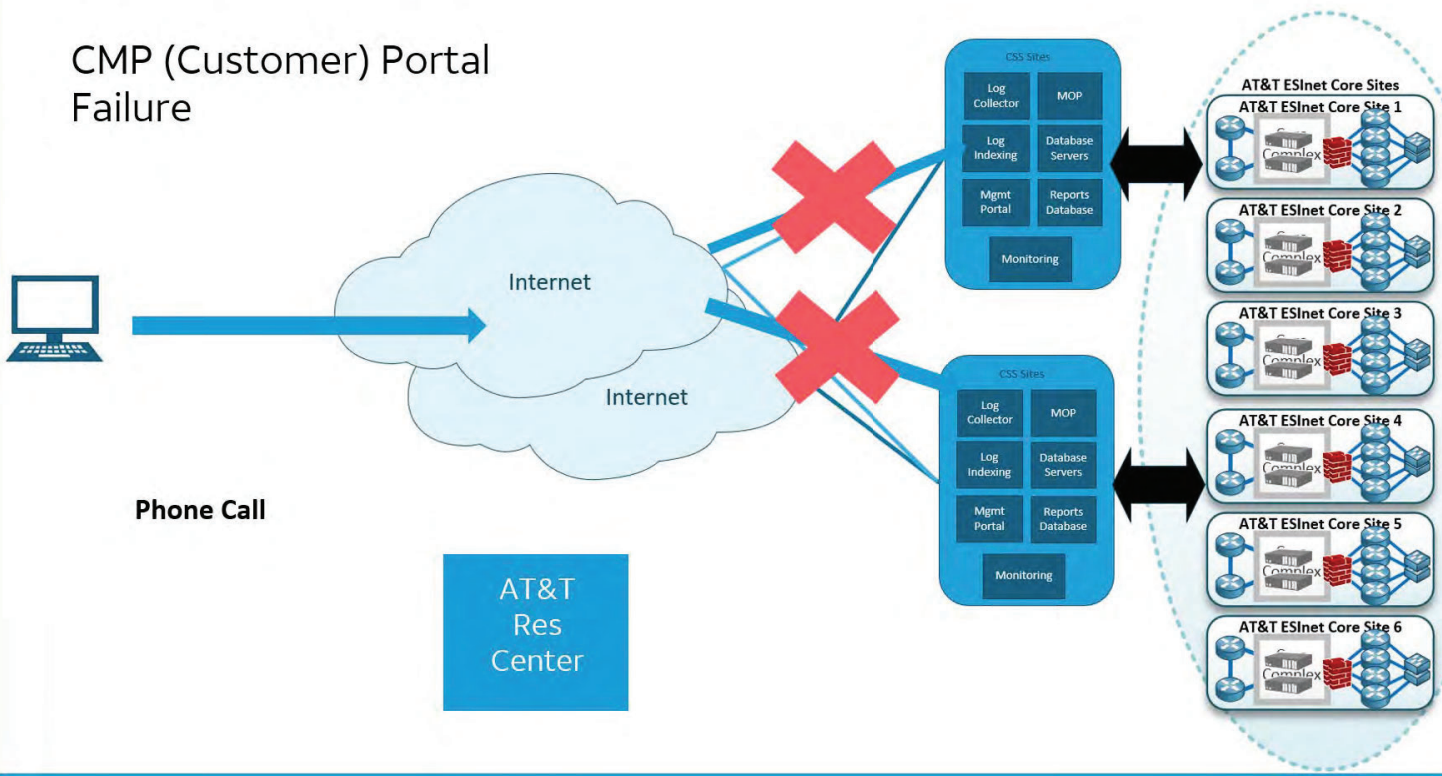
CMP (Customer) Portal Failure



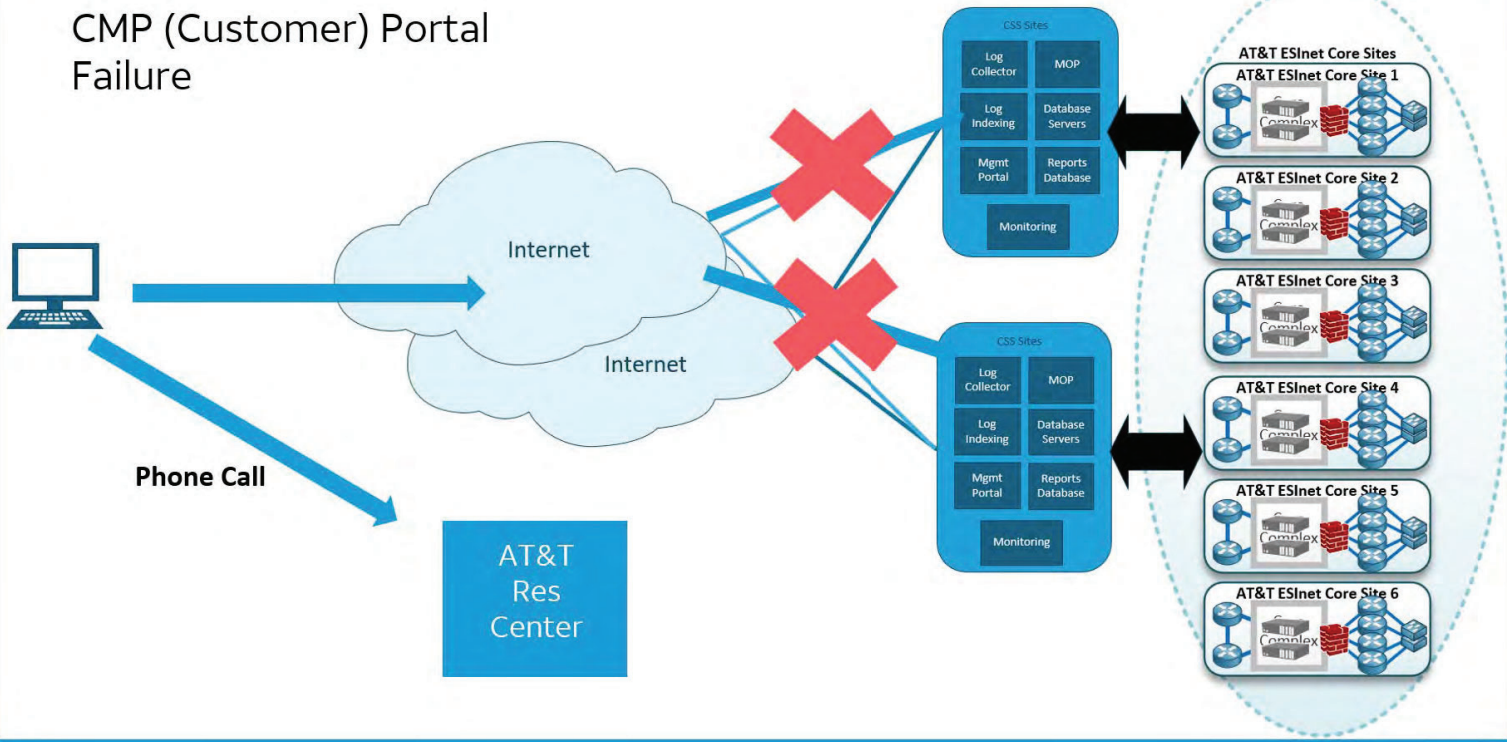
CMP (Customer) Portal Failure



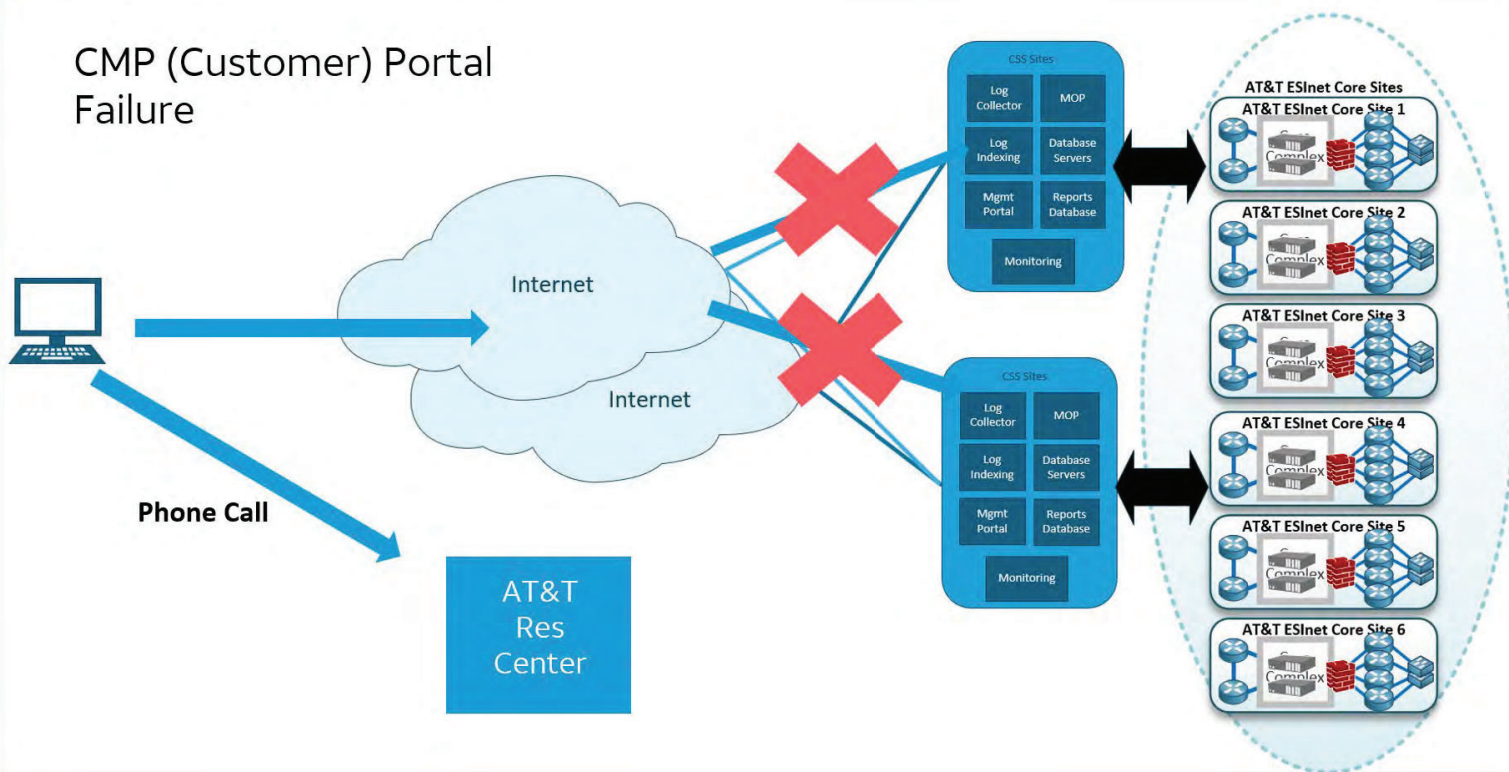
CMP (Customer) Portal Failure



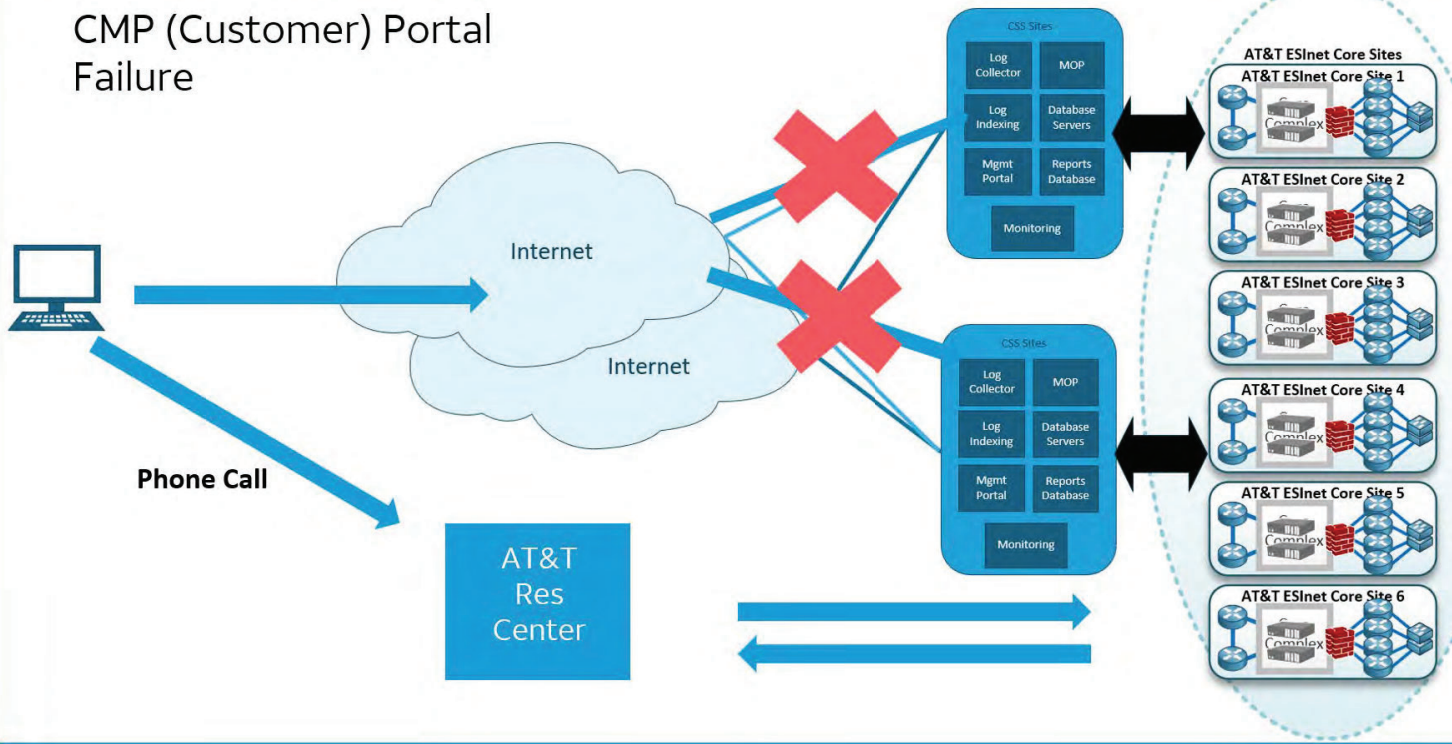
CMP (Customer) Portal Failure



CMP (Customer) Portal Failure



CMP (Customer) Portal Failure

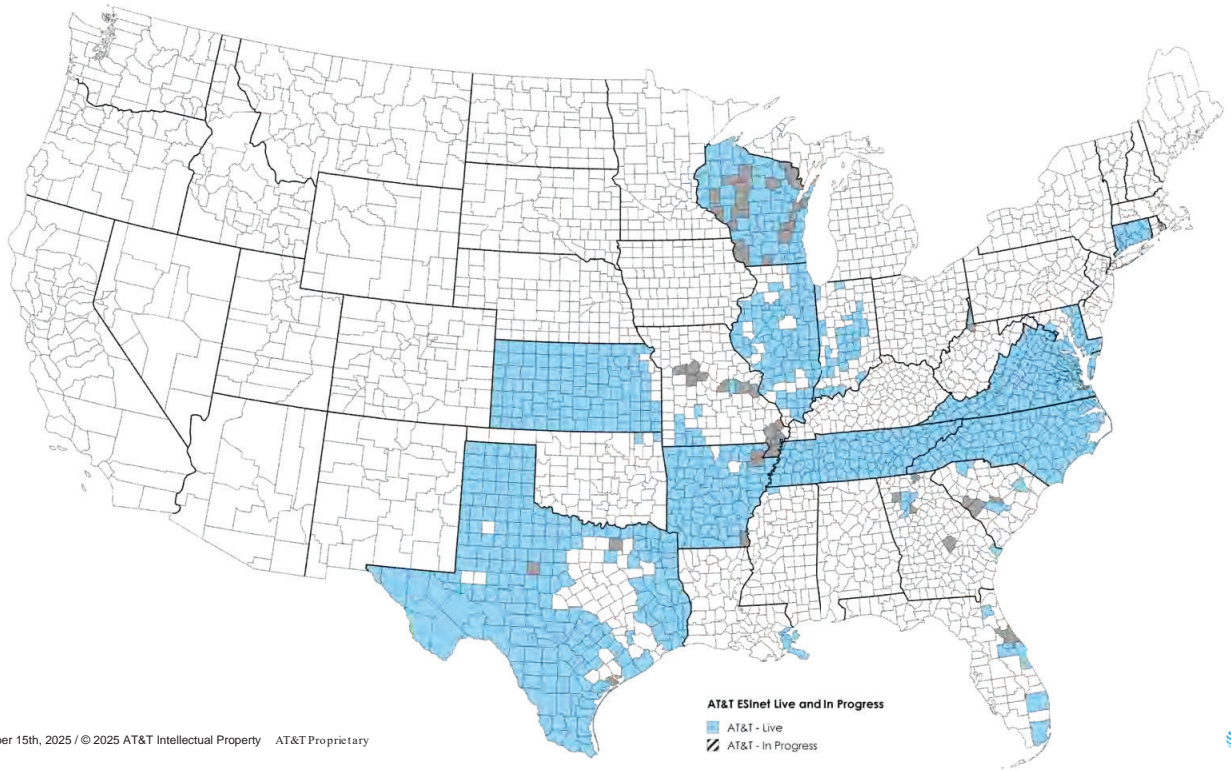


AT&T ESInet™ Deployment Map

Live and In Progress by U.S. County

*as of December 15, 2026

AT&T ESInet™ Deployments Live and In Progress

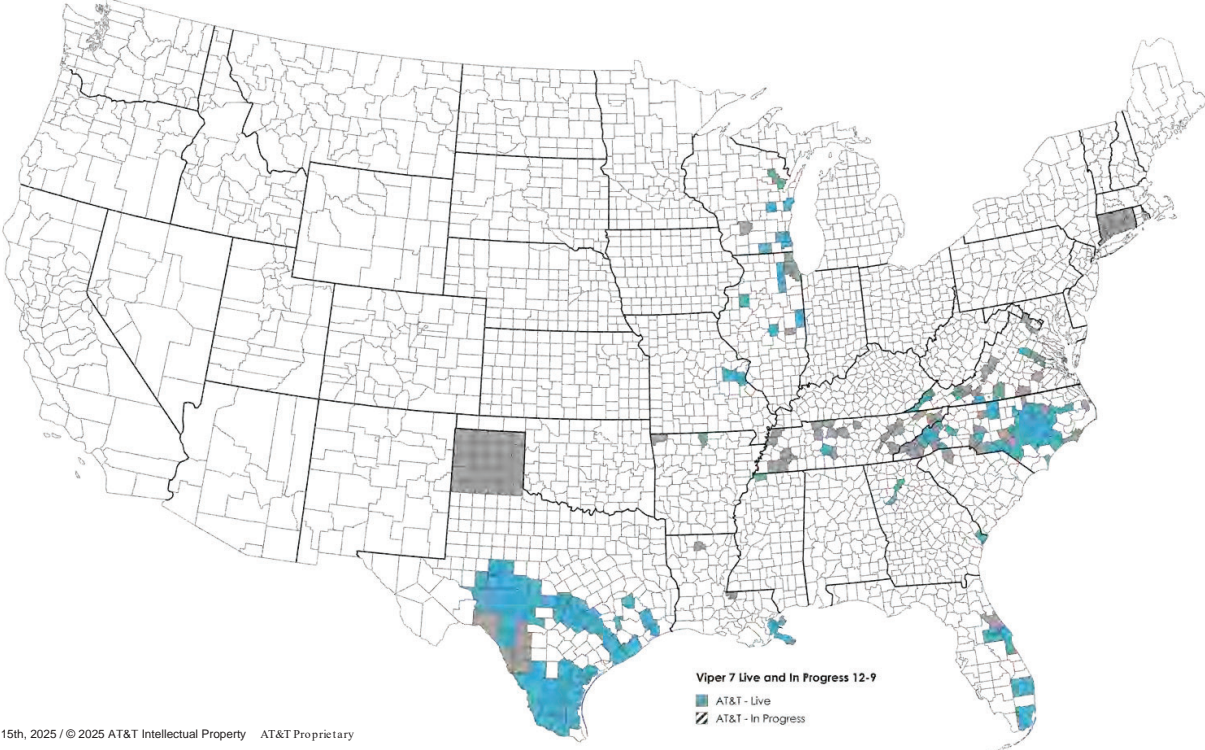


AT&T ESInet™ Deployment Map

Intrado VIPER 7 Live and In Progress by U.S. County

*as of December 15, 2026

AT&T ESInet™ Deployments with Intrado VIPER 7 Live and In Progress



AT&T ESInet™ Deployment Details

*as of December 15, 2026

AT&T ESInet Deployments by State
Non-VIPER | VIPER 7 | Total Deployments

State	Non Viper		Viper 7		Viper 7 Upgrade in Process		AT&T ESInet Deployment	
	Count	Population	Count	Population	Count	Population	Total Count	Total Population
AR	93	2,603,390	3	235,303	5	151,145	101	2,989,838
CT	-	-	-	-	113	3,605,240	113	3,605,240
DC	-	-	2	693,972	-	-	2	693,972
FL	9	1,148,625	56	6,432,638	-	-	65	7,581,263
GA	6	1,553,261	10	1,576,598	-	-	16	3,129,859
IL	113	7,057,008	12	1,064,014	6	412,525	131	8,533,547
IN	54	4,095,391	-	-	-	-	54	4,095,391
KS	118	2,046,102	-	-	-	-	118	2,046,102
LA	1	383,997	2	44,479	1	23,500	4	451,976
MD	37	2,996,635	-	-	-	-	37	2,996,635
MO	9	280,332	3	105,879	4	241,288	16	627,499
MS	-	-	5	188,630	-	-	5	188,630
NC	149	3,935,594	72	4,554,236	42	2,219,484	263	10,709,314
OK	1	30,338	-	-	-	-	1	30,338
SC	1	138,566	3	68,171	6	586,471	10	793,208
TN	111	4,055,067	1	94,340	50	2,658,698	162	6,808,105
TX	225	9,516,840	108	3,417,782	36	634,420	369	13,569,042
VA	109	5,761,886	16	1,455,744	23	1,116,491	148	8,334,121
WI	66	3,172,109	14	1,082,909	5	246,481	85	4,501,499
WV	1	29,405	-	-	1	44,194	2	73,599
Grand Total	1,103	48,804,546	307	21,014,695	292	11,939,937	1,702	81,759,178

AT&T ESInet Deployments by State and County
Non-VIPER | VIPER 7 | Total Deployments

State & County	Non Viper		Viper 7		Viper 7 Upgrade in Process		AT&T ESInet Deployment	
	Count	Population	Count	Population	Count	Population	Total Count	Total Population
AR	93	2,603,390	3	235,303	5	151,145	101	2,989,838
ARKANSAS	1	17,486	-	-	-	-	1	17,486
Ashley	1	19,657	-	-	-	-	1	19,657
Baxter	-	-	1	41,932	-	-	1	41,932
Benton	-	-	2	193,371	3	85,770	5	279,141
BOONE	1	37,432	-	-	-	-	1	37,432
BRADLEY	1	10,763	-	-	-	-	1	10,763
CALHOUN	1	5,189	-	-	-	-	1	5,189
Carroll	1	28,380	-	-	-	-	1	28,380
CLARK	2	22,320	-	-	-	-	2	22,320
Clay	1	14,551	-	-	-	-	1	14,551
CLEBURNE	1	24,919	-	-	-	-	1	24,919
CLEVELAND	1	7,956	-	-	-	-	1	7,956
COLUMBIA	1	23,457	-	-	-	-	1	23,457
CONWAY	1	20,846	-	-	-	-	1	20,846
CRAIGHEAD	1	110,332	-	-	-	-	1	110,332
Crawford	1	63,257	-	-	-	-	1	63,257
CRITTENDEN	2	47,955	-	-	-	-	2	47,955
CROSS	1	16,419	-	-	-	-	1	16,419
DALLAS	1	7,009	-	-	-	-	1	7,009
Desha	2	11,361	-	-	-	-	2	11,361
Drew	1	18,219	-	-	-	-	1	18,219
FAULKNER	2	126,007	-	-	-	-	2	126,007
FRANKLIN	1	17,715	-	-	-	-	1	17,715
Fulton	1	12,421	-	-	-	-	1	12,421
GARLAND	4	76,450	-	-	1	38,797	5	115,247
GRANT	1	18,265	-	-	-	-	1	18,265
GREENE	1	45,325	-	-	-	-	1	45,325
Hempstead	1	21,532	-	-	-	-	1	21,532
HOT SPRING	1	33,771	-	-	-	-	1	33,771
HOWARD	1	13,202	-	-	-	-	1	13,202
IZARD	1	13,629	-	-	-	-	1	13,629

AT&T ESInet Deployments by State and County
Non-VIPER | VIPER 7 | Total Deployments

State & County	Non Viper		Viper 7		Viper 7 Upgrade in Process		AT&T ESInet Deployment	
	Count	Population	Count	Population	Count	Population	Total Count	Total Population
JACKSON	1	16,719	-	-	-	-	1	16,719
JEFFERSON	1	66,824	-	-	-	-	1	66,824
JOHNSON	-	-	-	-	1	26,578	1	26,578
LAFAYETTE	1	6,624	-	-	-	-	1	6,624
LAWRENCE	1	16,406	-	-	-	-	1	16,406
Lee	1	8,857	-	-	-	-	1	8,857
LINCOLN	1	13,024	-	-	-	-	1	13,024
LITTLE RIVER	1	12,259	-	-	-	-	1	12,259
LOGAN	1	21,466	-	-	-	-	1	21,466
Lonoke	2	73,309	-	-	-	-	2	73,309
Marion	1	16,694	-	-	-	-	1	16,694
MILLER	1	43,257	-	-	-	-	1	43,257
MISSISSIPPI	1	40,651	-	-	-	-	1	40,651
MONROE	1	6,701	-	-	-	-	1	6,701
MONTGOMERY	1	8,986	-	-	-	-	1	8,986
NEVADA	1	8,252	-	-	-	-	1	8,252
NEWTON	1	7,753	-	-	-	-	1	7,753
Ouachita	1	23,382	-	-	-	-	1	23,382
Perry	1	10,455	-	-	-	-	1	10,455
PHILLIPS	1	17,782	-	-	-	-	1	17,782
PIKE	1	10,718	-	-	-	-	1	10,718
Poinsett	1	23,528	-	-	-	-	1	23,528
Polk	1	19,964	-	-	-	-	1	19,964
POPE	1	64,072	-	-	-	-	1	64,072
PRAIRIE	1	8,062	-	-	-	-	1	8,062
Pulaski	9	388,999	-	-	-	-	9	388,999
RANDOLPH	1	17,958	-	-	-	-	1	17,958
SALINE	2	122,437	-	-	-	-	2	122,437
SCOTT	1	10,281	-	-	-	-	1	10,281
SEARCY	1	7,881	-	-	-	-	1	7,881
Sebastian	3	127,827	-	-	-	-	3	127,827
Sevier	1	17,007	-	-	-	-	1	17,007

AT&T ESInet Deployments by State and County
Non-VIPER | VIPER 7 | Total Deployments

State & County	Non Viper		Viper 7		Viper 7 Upgrade in Process		AT&T ESInet Deployment	
	Count	Population	Count	Population	Count	Population	Total Count	Total Population
SHARP	1	17,442	-	-	-	-	1	17,442
St FRANCIS	1	24,994	-	-	-	-	1	24,994
STONE	1	12,506	-	-	-	-	1	12,506
Union	1	38,682	-	-	-	-	1	38,682
VAN BUREN	1	16,545	-	-	-	-	1	16,545
Washington	5	239,187	-	-	-	-	5	239,187
WHITE	2	102,413	-	-	-	-	2	102,413
Woodruff	1	6,320	-	-	-	-	1	6,320
YELL	1	21,341	-	-	-	-	1	21,341
CT	-	-	-	-	113	3,605,240	113	3,605,240
Fairfield	-	-	-	-	21	859,774	21	859,774
Fairfield	-	-	-	-	2	90,147	2	90,147
Hartford	-	-	-	-	27	895,388	27	895,388
Litchfield	-	-	-	-	5	56,441	5	56,441
Litchfield	-	-	-	-	1	114,997	1	114,997
Middlesex	-	-	-	-	7	163,410	7	163,410
New Haven	-	-	-	-	28	809,636	28	809,636
New Haven	-	-	-	-	2	78,594	2	78,594
New London	-	-	-	-	11	229,563	11	229,563
New London	-	-	-	-	1	39,470	1	39,470
Tolland	-	-	-	-	4	151,461	4	151,461
Windham	-	-	-	-	3	116,359	3	116,359
Windham	-	-	-	-	1	0	1	0
DC	-	-	2	693,972	-	-	2	693,972
DC	-	-	2	693,972	-	-	2	693,972
FL	9	1,148,625	56	6,432,638	-	-	65	7,581,263
Brevard	-	-	11	596,849	-	-	11	596,849
Clay	4	226,589	-	-	-	-	4	226,589
Dade	-	-	14	2,750,142	-	-	14	2,750,142
Orange	-	-	10	1,452,724	-	-	10	1,452,724
Palm Beach	5	922,036	15	574,734	-	-	20	1,496,770
Seminole	-	-	4	467,832	-	-	4	467,832

AT&T ESInet Deployments by State and County
Non-VIPER | VIPER 7 | Total Deployments

State & County	Non Viper		Viper 7		Viper 7 Upgrade in Process		AT&T ESInet Deployment	
	Count	Population	Count	Population	Count	Population	Total Count	Total Population
Volusia			2	590,357			2	590,357
GA	6	1,553,261	10	1,576,598	-	-	16	3,129,859
Chatham	-	-	2	298,016	-	-	2	298,016
Cherokee	2	281,278	-	-	-	-	2	281,278
Cobb	2	652,068	-	-	-	-	2	652,068
DeKalb	1	587,590	-	-	-	-	1	587,590
Forsyth	-	-	2	260,206	-	-	2	260,206
Fulton	1	32,325	6	1,018,376	-	-	7	1,050,701
IL	113	7,057,008	12	1,064,014	6	412,525	131	8,533,547
Adams	2	65,737	-	-	-	-	2	65,737
Bond	1	16,725	-	-	-	-	1	16,725
Brown	1	6,244	-	-	-	-	1	6,244
Cass	1	13,042	-	-	-	-	1	13,042
Champaign	1	205,865	-	-	-	-	1	205,865
CLARK	1	15,455	-	-	-	-	1	15,455
Clinton	1	36,899	-	-	-	-	1	36,899
Cook	29	1,908,315	1	36,220	3	245,663	33	2,190,198
Crawford	1	18,679	-	-	-	-	1	18,679
DeWitt	1	15,516	-	-	-	-	1	15,516
Douglas	-	-	-	-	1	19,740	1	19,740
DuPage	4	1,000,000	-	-	2	147,122	6	1,147,122
Edgar	1	16,866	-	-	-	-	1	16,866
Edwards	1	6,245	-	-	-	-	1	6,245
Fayette	2	29,242	-	-	-	-	2	29,242
Ford	1	13,534	-	-	-	-	1	13,534
Fulton	1	35,110	-	-	-	-	1	35,110
Grundy	-	-	1	52,533	-	-	1	52,533
Hartford	1	14,217	-	-	-	-	1	14,217
Hidalgo	1	25,676	-	-	-	-	1	25,676
Iroquois	1	27,077	-	-	-	-	1	27,077
Kane	4	178,819	4	615,239	-	-	8	794,058
Kankakee	1	107,502	-	-	-	-	1	107,502

AT&T ESInet Deployments by State and County
Non-VIPER | VIPER 7 | Total Deployments

State & County	Non Viper		Viper 7		Viper 7 Upgrade in Process		AT&T ESInet Deployment	
	Count	Population	Count	Population	Count	Population	Total Count	Total Population
Kendall	-	-	1	131,869	-	-	1	131,869
Knox	-	-	1	49,967	-	-	1	49,967
Lake	10	674,462	2	0	-	-	12	674,462
LaSalle	3	128,498	-	-	-	-	3	128,498
Lee	1	34,145	-	-	-	-	1	34,145
Livingston	1	35,815	-	-	-	-	1	35,815
LOGAN	1	27,987	-	-	-	-	1	27,987
Macon	-	-	1	103,998	-	-	1	103,998
Madison	8	236,959	-	-	-	-	8	236,959
Marion	2	44,873	-	-	-	-	2	44,873
Marshall	1	11,742	-	-	-	-	1	11,742
Mason	2	13,086	-	-	-	-	2	13,086
Massac	2	14,169	-	-	-	-	2	14,169
McHenry	3	483,123	-	-	-	-	3	483,123
Menard	1	12,297	-	-	-	-	1	12,297
MONROE	2	34,962	-	-	-	-	2	34,962
Peoria	2	189,060	-	-	-	-	2	189,060
Piatt	1	16,673	-	-	-	-	1	16,673
PIKE	1	14,739	-	-	-	-	1	14,739
Sangamon	2	196,343	-	-	-	-	2	196,343
SCOTT	1	4,949	-	-	-	-	1	4,949
St. Clair	6	254,796	-	-	-	-	6	254,796
Stark	1	5,400	-	-	-	-	1	5,400
Tazewell	1	131,343	-	-	-	-	1	131,343
Vermilion	-	-	1	74,188	-	-	1	74,188
Will	3	696,355	-	-	-	-	3	696,355
Woodford	1	38,467	-	-	-	-	1	38,467
IN	54	4,095,391	-	-	-	-	54	4,095,391
Bartholomew	1	82,753	-	-	-	-	1	82,753
BOONE	1	66,999	-	-	-	-	1	66,999
Brown	1	15,234	-	-	-	-	1	15,234
CLARK	1	117,360	-	-	-	-	1	117,360

AT&T ESInet Deployments by State and County
Non-VIPER | VIPER 7 | Total Deployments

State & County	Non Viper		Viper 7		Viper 7 Upgrade in Process		AT&T ESInet Deployment	
	Count	Population	Count	Population	Count	Population	Total Count	Total Population
Daviess	2	33,147	-	-	-	-	2	33,147
Delaware	1	114,772	-	-	-	-	1	114,772
Floyd	2	77,781	-	-	-	-	2	77,781
Fountain	1	16,351	-	-	-	-	1	16,351
GRANT	1	65,769	-	-	-	-	1	65,769
GREENE	2	32,006	-	-	-	-	2	32,006
Hamilton	2	330,086	-	-	-	-	2	330,086
Hancock	1	76,351	-	-	-	-	1	76,351
Hendricks	2	167,009	-	-	-	-	2	167,009
Henry	1	48,271	-	-	-	-	1	48,271
HOWARD	1	82,366	-	-	-	-	1	82,366
Huntington	1	36,240	-	-	-	-	1	36,240
JOHNSON	1	156,225	-	-	-	-	1	156,225
Knox	1	36,895	-	-	-	-	1	36,895
Lake	2	484,411	-	-	-	-	2	484,411
LAWRENCE	2	45,668	-	-	-	-	2	45,668
Madison	1	129,641	-	-	-	-	1	129,641
Marion	11	975,670	-	-	-	-	11	975,670
MONROE	2	194,917	-	-	-	-	2	194,917
Morgan	2	70,116	-	-	-	-	2	70,116
Perry	2	19,102	-	-	-	-	2	19,102
Posey	1	25,540	-	-	-	-	1	25,540
Shelby	2	44,593	-	-	-	-	2	44,593
Spencer	1	20,327	-	-	-	-	1	20,327
St. Joseph	2	270,771	-	-	-	-	2	270,771
Vanderburgh	1	180,974	-	-	-	-	1	180,974
Vermillion	1	15,479	-	-	-	-	1	15,479
Warrick	1	62,567	-	-	-	-	1	62,567
KS	118	2,046,102	-	-	-	-	118	2,046,102
Allen	1	12,714	-	-	-	-	1	12,714
Anderson	1	7,827	-	-	-	-	1	7,827
Brown	1	1,514	-	-	-	-	1	1,514

AT&T ESInet Deployments by State and County
Non-VIPER | VIPER 7 | Total Deployments

State & County	Non Viper		Viper 7		Viper 7 Upgrade in Process		AT&T ESInet Deployment	
	Count	Population	Count	Population	Count	Population	Total Count	Total Population
Butler	3	67,025	-	-	-	-	3	67,025
Chase	1	2,669	-	-	-	-	1	2,669
Chautauqua	1	3,374	-	-	-	-	1	3,374
Cherokee	1	20,115	-	-	-	-	1	20,115
Cheyenne	1	2,661	-	-	-	-	1	2,661
CLARK	1	2,072	-	-	-	-	1	2,072
Clay	1	8,143	-	-	-	-	1	8,143
Cloud	1	9,150	-	-	-	-	1	9,150
Coffey	1	8,179	-	-	-	-	1	8,179
Comanche	1	1,862	-	-	-	-	1	1,862
Cowley	1	35,753	-	-	-	-	1	35,753
Crawford	2	39,110	-	-	-	-	2	39,110
Decatur	1	2,832	-	-	-	-	1	2,832
Dickinson	1	19,064	-	-	-	-	1	19,064
Doniphan	1	7,600	-	-	-	-	1	7,600
Douglas	2	122,259	-	-	-	-	2	122,259
Durham	3	49,333	-	-	-	-	3	49,333
Edwards	1	2,938	-	-	-	-	1	2,938
Elk	1	2,415	-	-	-	-	1	2,415
Ellis	1	28,893	-	-	-	-	1	28,893
Ellsworth	1	6,328	-	-	-	-	1	6,328
Finney	1	36,722	-	-	-	-	1	36,722
Ford	1	33,971	-	-	-	-	1	33,971
FRANKLIN	1	25,733	-	-	-	-	1	25,733
Geary	2	31,670	-	-	-	-	2	31,670
Graham	1	2,588	-	-	-	-	1	2,588
GRANT	1	7,646	-	-	-	-	1	7,646
Gray	1	6,034	-	-	-	-	1	6,034
Greeley	1	1,296	-	-	-	-	1	1,296
Greenwood	1	6,151	-	-	-	-	1	6,151
Hamilton	1	2,536	-	-	-	-	1	2,536
Harper	1	5,685	-	-	-	-	1	5,685

AT&T ESInet Deployments by State and County
Non-VIPER | VIPER 7 | Total Deployments

State & County	Non Viper		Viper 7		Viper 7 Upgrade in Process		AT&T ESInet Deployment	
	Count	Population	Count	Population	Count	Population	Total Count	Total Population
Harvey	1	34,913	-	-	-	-	1	34,913
Haskell	1	4,006	-	-	-	-	1	4,006
Hodgeman	1	1,870	-	-	-	-	1	1,870
JACKSON	2	13,318	-	-	-	-	2	13,318
JEFFERSON	1	18,998	-	-	-	-	1	18,998
Jewell	1	2,901	-	-	-	-	1	2,901
Kearny	1	3,917	-	-	-	-	1	3,917
Kingman	1	7,467	-	-	-	-	1	7,467
Kiowa	1	2,483	-	-	-	-	1	2,483
Labette	2	20,444	-	-	-	-	2	20,444
Lane	1	1,636	-	-	-	-	1	1,636
LINCOLN	1	3,073	-	-	-	-	1	3,073
Logan-Gove	1	5,420	-	-	-	-	1	5,420
Lyon	1	33,510	-	-	-	-	1	33,510
Marion	1	12,112	-	-	-	-	1	12,112
Marshall	1	9,982	-	-	-	-	1	9,982
McPherson	1	28,804	-	-	-	-	1	28,804
Meade	1	4,216	-	-	-	-	1	4,216
Mitchell	1	6,243	-	-	-	-	1	6,243
MONTGOMERY	2	32,746	-	-	-	-	2	32,746
Morris	1	5,573	-	-	-	-	1	5,573
Morton	1	2,848	-	-	-	-	1	2,848
Nemaha	2	10,241	-	-	-	-	2	10,241
Neosho	2	25,164	-	-	-	-	2	25,164
Ness	1	2,962	-	-	-	-	1	2,962
Norton	1	5,493	-	-	-	-	1	5,493
Osage	1	15,949	-	-	-	-	1	15,949
Osborne	1	3,642	-	-	-	-	1	3,642
Ottawa	1	5,920	-	-	-	-	1	5,920
Pawnee	1	6,743	-	-	-	-	1	6,743
PHILLIPS	1	5,428	-	-	-	-	1	5,428
Pottawatomie	2	23,661	-	-	-	-	2	23,661

AT&T ESInet Deployments by State and County
Non-VIPER | VIPER 7 | Total Deployments

State & County	Non Viper		Viper 7		Viper 7 Upgrade in Process		AT&T ESInet Deployment	
	Count	Population	Count	Population	Count	Population	Total Count	Total Population
Pratt	1	9,584	-	-	-	-	1	9,584
Rawlins	1	2,549	-	-	-	-	1	2,549
Reno	1	63,200	-	-	-	-	1	63,200
Republic	1	4,699	-	-	-	-	1	4,699
Rice	1	9,831	-	-	-	-	1	9,831
Riley	3	74,172	-	-	-	-	3	74,172
Rooks	1	5,043	-	-	-	-	1	5,043
Rush	1	3,058	-	-	-	-	1	3,058
Russell	1	6,988	-	-	-	-	1	6,988
SALINE	2	55,142	-	-	-	-	2	55,142
SCOTT	1	3,890	-	-	-	-	1	3,890
Sedgwick	5	535,683	-	-	-	-	5	535,683
Seward	1	22,709	-	-	-	-	1	22,709
Shawnee	3	178,187	-	-	-	-	3	178,187
Sheridan	1	2,509	-	-	-	-	1	2,509
Sherman	1	5,965	-	-	-	-	1	5,965
Smith	1	3,603	-	-	-	-	1	3,603
Stafford	1	4,208	-	-	-	-	1	4,208
Stanton	1	2,062	-	-	-	-	1	2,062
Stevens	1	5,584	-	-	-	-	1	5,584
Sumner	1	23,272	-	-	-	-	1	23,272
Thomas	1	7,892	-	-	-	-	1	7,892
Trego	1	2,793	-	-	-	-	1	2,793
Wabaunsee	1	6,891	-	-	-	-	1	6,891
Wallace	1	1,497	-	-	-	-	1	1,497
Washington	1	5,546	-	-	-	-	1	5,546
Wichita	1	2,112	-	-	-	-	1	2,112
Wilson	1	8,723	-	-	-	-	1	8,723
Woodson	1	3,165	-	-	-	-	1	3,165
LA	1	383,997	2	44,479	1	23,500	4	451,976
Orleans	1	383,997	-	-	-	-	1	383,997
Plaquemines	-	-	-	-	1	23,500	1	23,500

AT&T ESInet Deployments by State and County
Non-VIPER | VIPER 7 | Total Deployments

State & County	Non Viper		Viper 7		Viper 7 Upgrade in Process		AT&T ESInet Deployment	
	Count	Population	Count	Population	Count	Population	Total Count	Total Population
St. Bernard	-	-	2	44,479	-	-	2	44,479
MD	37	2,996,635	-	-	-	-	37	2,996,635
Baltimore	2	854,535	-	-	-	-	2	854,535
Calvert	2	91,251	-	-	-	-	2	91,251
Caroline	1	33,406	-	-	-	-	1	33,406
Cecil	2	102,855	-	-	-	-	2	102,855
Charles	2	159,700	-	-	-	-	2	159,700
Dorchester	2	31,929	-	-	-	-	2	31,929
Harford	2	262,977	-	-	-	-	2	262,977
Kent	2	19,442	-	-	-	-	2	19,442
MONTGOMERY	3	1,058,810	-	-	-	-	3	1,058,810
Queen Anne's	3	50,381	-	-	-	-	3	50,381
Somerset	3	25,616	-	-	-	-	3	25,616
St. Mary's	2	112,667	-	-	-	-	2	112,667
Talbot	1	37,181	-	-	-	-	1	37,181
Wicomico	6	103,609	-	-	-	-	6	103,609
Worcester	4	52,276	-	-	-	-	4	52,276
MO	9	280,332	3	105,879	4	241,288	16	627,499
Barry	1	32,265	-	-	-	-	1	32,265
Christian	1	94,422	-	-	-	-	1	94,422
Dade	1	7,716	-	-	-	-	1	7,716
DALLAS	1	17,768	-	-	-	-	1	17,768
FRANKLIN	-	-	3	105,879	-	-	3	105,879
Gasconade	-	-	-	-	1	14,768	1	14,768
JEFFERSON	-	-	-	-	3	226,520	3	226,520
LAWRENCE	1	38,697	-	-	-	-	1	38,697
STONE	1	32,658	-	-	-	-	1	32,658
Taney	3	56,806	-	-	-	-	3	56,806
MS	-	-	5	188,630	-	-	5	188,630
DeSoto	-	-	5	188,630	-	-	5	188,630
NC	149	3,935,594	72	4,554,236	42	2,219,484	263	10,709,314
Alamance	3	166,436	-	-	-	-	3	166,436

AT&T ESInet Deployments by State and County
Non-VIPER | VIPER 7 | Total Deployments

State & County	Non Viper		Viper 7		Viper 7 Upgrade in Process		AT&T ESInet Deployment	
	Count	Population	Count	Population	Count	Population	Total Count	Total Population
Alexander	2	37,286	-	-	-	-	2	37,286
Alleghany	2	11,161	-	-	-	-	2	11,161
Anson	-	-	1	24,446	-	-	1	24,446
Ashe	2	27,203	-	-	-	-	2	27,203
Avery	2	17,505	-	-	-	-	2	17,505
Beaufort	1	47,079	-	-	-	-	1	47,079
Bertie	2	19,026	-	-	-	-	2	19,026
Bladen	3	32,722	-	-	-	-	3	32,722
Brunswick	2	130,897	-	-	-	-	2	130,897
Buncombe	-	-	4	259,103	-	-	4	259,103
Burke	2	90,382	-	-	-	-	2	90,382
Cabarrus	-	-	4	211,342	-	-	4	211,342
Caldwell	3	82,029	-	-	-	-	3	82,029
Carteret	-	-	-	-	2	68,881	2	68,881
Caswell	2	22,604	-	-	-	-	2	22,604
Catawba	5	159,551	-	-	-	-	5	159,551
Chatham	2	74,470	-	-	-	-	2	74,470
Cherokee	2	28,612	-	-	-	-	2	28,612
Chowan	2	14,029	-	-	-	-	2	14,029
Clay	2	11,139	-	-	-	-	2	11,139
CLEVELAND	6	128,821	-	-	-	-	6	128,821
Columbus	2	55,936	-	-	-	-	2	55,936
Craven	6	102,578	-	-	-	-	6	102,578
Cumberland	1	209,468	1	327,127	-	-	2	536,595
Currituck	2	27,763	-	-	-	-	2	27,763
Dare	-	-	-	-	2	36,501	2	36,501
Davidson	2	166,614	-	-	-	-	2	166,614
Davie	2	42,733	-	-	-	-	2	42,733
Duplin	-	-	2	58,741	-	-	2	58,741
Durham	-	-	3	306,212	-	-	3	306,212
Edgecombe	-	-	-	-	2	10,856	2	10,856
Edgecombe	-	-	-	-	2	54,921	2	54,921

AT&T ESInet Deployments by State and County
Non-VIPER | VIPER 7 | Total Deployments

State & County	Non Viper		Viper 7		Viper 7 Upgrade in Process		AT&T ESInet Deployment	
	Count	Population	Count	Population	Count	Population	Total Count	Total Population
Forsyth	1	0	-	-	7	379,099	8	379,099
FRANKLIN	-	-	1	67,560	-	-	1	67,560
Gaston	3	233,100	-	-	-	-	3	233,100
Gates	2	11,573	-	-	-	-	2	11,573
Graham	-	-	-	-	2	8,484	2	8,484
Granville	2	60,115	-	-	-	-	2	60,115
GREENE	-	-	2	21,069	-	-	2	21,069
Guilford	2	112,791	2	415,440	-	-	4	528,231
Halifax	2	50,010	-	-	-	-	2	50,010
Harnett	-	-	2	135,976	-	-	2	135,976
Haywood	-	-	1	62,317	-	-	1	62,317
Henderson	-	-	-	-	3	116,748	3	116,748
Hertford	1	23,677	-	-	-	-	1	23,677
Hoke	-	-	-	-	2	54,764	2	54,764
Iredell	5	175,711	-	-	-	-	5	175,711
JACKSON	-	-	-	-	2	43,327	2	43,327
Johnston	-	-	2	202,675	-	-	2	202,675
Jones Lenoir	-	-	2	65,368	-	-	2	65,368
Lee	-	-	3	61,779	-	-	3	61,779
LINCOLN	2	82,403	-	-	-	-	2	82,403
Lumberton	-	-	2	21,040	-	-	2	21,040
Macon	-	-	-	-	2	35,858	2	35,858
Madison	-	-	2	21,746	-	-	2	21,746
Martin	-	-	2	23,455	-	-	2	23,455
McDowell	2	45,507	-	-	-	-	2	45,507
Mecklenburg	2	38,645	-	-	4	1,093,901	6	1,132,546
Mitchell	-	-	2	15,072	-	-	2	15,072
MONTGOMERY	2	27,173	-	-	-	-	2	27,173
Moore	-	-	-	-	3	98,682	3	98,682
Nash	-	-	4	93,991	-	-	4	93,991
New Hanover	-	-	2	232,274	-	-	2	232,274
Northampton	2	19,483	-	-	-	-	2	19,483

AT&T ESInet Deployments by State and County
Non-VIPER | VIPER 7 | Total Deployments

State & County	Non Viper		Viper 7		Viper 7 Upgrade in Process		AT&T ESInet Deployment	
	Count	Population	Count	Population	Count	Population	Total Count	Total Population
Onslow	4	147,896	1	121,446	-	-	5	269,342
Orange	3	148,476	-	-	-	-	3	148,476
Pamlico	1	12,726	-	-	-	-	1	12,726
Pasquotank/Camden	2	50,324	-	-	-	-	2	50,324
Pender	2	63,060	-	-	-	-	2	63,060
Perquimans	2	13,422	-	-	-	-	2	13,422
Person	2	39,490	-	-	-	-	2	39,490
Pitt	-	-	5	179,082	-	-	5	179,082
Polk	-	-	2	20,558	-	-	2	20,558
RANDOLPH	3	143,351	-	-	-	-	3	143,351
Richmond	-	-	2	44,798	-	-	2	44,798
Robeson	1	2,035	2	130,625	-	-	3	132,660
Rockingham	2	90,949	-	-	-	-	2	90,949
Rowan	1	0	-	-	2	141,262	3	141,262
Rutherford	2	66,551	-	-	-	-	2	66,551
Sampson	-	-	2	63,430	-	-	2	63,430
Scotland	-	-	2	35,093	-	-	2	35,093
Stanly	2	62,075	-	-	-	-	2	62,075
Stokes	2	45,467	-	-	-	-	2	45,467
Surry	4	71,948	-	-	-	-	4	71,948
Swain	2	9,534	-	-	2	14,245	4	23,779
Taylor	2	0	-	-	-	-	2	0
Transylvania	2	34,215	-	-	-	-	2	34,215
Union	1	0	1	235,908	1	0	3	235,908
Vance	-	-	-	-	2	44,211	2	44,211
Wake	9	165,904	6	880,064	-	-	15	1,045,968
Warren	2	19,807	-	-	-	-	2	19,807
Washington	-	-	1	11,580	-	-	1	11,580
Watauga	5	56,177	-	-	-	-	5	56,177
Wayne	1	0	2	123,248	-	-	3	123,248
Wilkes	2	68,412	-	-	-	-	2	68,412
Wilson	-	-	2	81,671	-	-	2	81,671

AT&T ESInet Deployments by State and County
Non-VIPER | VIPER 7 | Total Deployments

State & County	Non Viper		Viper 7		Viper 7 Upgrade in Process		AT&T ESInet Deployment	
	Count	Population	Count	Population	Count	Population	Total Count	Total Population
Yadkin	2	37,543	-	-	-	-	2	37,543
Yancey	-	-	-	-	2	17,744	2	17,744
OK	1	30,338					1	30,338
Ottawa	1	30,338	-	-	-	-	1	30,338
SC	1	138,566	3	68,171	6	586,471	10	793,208
Aiken	-	-	2	53,651	1	114,528	3	168,179
CALHOUN	-	-	1	14,520	1	0	2	14,520
Cherokee	-	-	-	-	1	56,646	1	56,646
Edgefield	-	-	-	-	1	26,358	1	26,358
Florence	1	138,566	-	-	-	-	1	138,566
Orangeburg	-	-	-	-	1	87,476	1	87,476
Spartanburg	-	-	-	-	1	301,463	1	301,463
TN	111	4,055,067	1	94,340	50	2,658,698	162	6,808,105
Anderson	-	-	-	-	3	76,482	3	76,482
Bedford	-	-	-	-	1	49,038	1	49,038
Benton	-	-	-	-	1	16,184	1	16,184
Bledsoe	1	14,755	-	-	-	-	1	14,755
Blount	1	131,349	-	-	-	-	1	131,349
BRADLEY	1	106,727	-	-	-	-	1	106,727
Campbell	2	39,583	-	-	-	-	2	39,583
Cannon	1	14,462	-	-	-	-	1	14,462
Carroll	1	28,020	-	-	-	-	1	28,020
Carter	-	-	-	-	1	56,351	1	56,351
Cheatham	1	40,439	-	-	-	-	1	40,439
Chester	-	-	-	-	1	17,276	1	17,276
Claiborne	1	31,756	-	-	-	-	1	31,756
Clay	1	7,717	-	-	-	-	1	7,717
Cocke	2	71,548	-	-	-	-	2	71,548
Coffee	1	55,700	-	-	-	-	1	55,700
Crockett	1	14,328	-	-	-	-	1	14,328
Cumberland	1	59,673	-	-	-	-	1	59,673
Davidson	1	0	-	-	3	692,587	4	692,587

AT&T ESInet Deployments by State and County
Non-VIPER | VIPER 7 | Total Deployments

State & County	Non Viper		Viper 7		Viper 7 Upgrade in Process		AT&T ESInet Deployment	
	Count	Population	Count	Population	Count	Population	Total Count	Total Population
Decatur	1	11,706	-	-	-	-	1	11,706
DeKalb	1	20,138	-	-	-	-	1	20,138
Dickson	-	-	-	-	1	53,446	1	53,446
Dyer	1	16,389	-	-	1	20,931	2	37,320
Fayette	-	-	-	-	2	40,507	2	40,507
Fentress	1	18,217	-	-	-	-	1	18,217
FRANKLIN	1	41,890	-	-	-	-	1	41,890
Gibson	1	49,045	-	-	-	-	1	49,045
Giles	-	-	-	-	1	29,503	1	29,503
Grainger	1	23,145	-	-	-	-	1	23,145
GREENE	1	54,189	-	-	-	-	1	54,189
Grundy	1	13,346	-	-	-	-	1	13,346
Hamblen	-	-	-	-	2	64,569	2	64,569
Hamilton	10	364,286	-	-	-	-	10	364,286
Hancock	1	6,549	-	-	-	-	1	6,549
Hardeman	-	-	-	-	1	25,220	1	25,220
Hardin	1	25,776	-	-	-	-	1	25,776
Hawkins	-	-	-	-	1	56,530	1	56,530
Haywood	-	-	-	-	1	17,335	1	17,335
Henderson	1	27,847	-	-	-	-	1	27,847
Henry	3	54,659	-	-	-	-	3	54,659
Hickman	1	25,063	-	-	-	-	1	25,063
Houston	1	8,263	-	-	-	-	1	8,263
Humphreys	1	18,486	-	-	-	-	1	18,486
JACKSON	-	-	-	-	1	11,758	1	11,758
JEFFERSON	1	54,012	-	-	-	-	1	54,012
JOHNSON	-	-	-	-	1	17,778	1	17,778
Knox	-	-	-	-	2	465,289	2	465,289
Lake	1	7,411	-	-	-	-	1	7,411
Lauderdale	-	-	-	-	1	25,825	1	25,825
LAWRENCE	1	43,734	-	-	-	-	1	43,734
Lewis	1	12,086	-	-	-	-	1	12,086

AT&T ESInet Deployments by State and County
Non-VIPER | VIPER 7 | Total Deployments

State & County	Non Viper		Viper 7		Viper 7 Upgrade in Process		AT&T ESInet Deployment	
	Count	Population	Count	Population	Count	Population	Total Count	Total Population
LINCOLN	1	34,117	-	-	-	-	1	34,117
Loudon	1	53,054	-	-	-	-	1	53,054
Macon	2	24,265	-	-	-	-	2	24,265
Madison	1	0	-	-	6	97,605	7	97,605
Marion	1	28,575	-	-	-	-	1	28,575
Marshall	-	-	-	-	2	33,683	2	33,683
Maury	-	-	1	94,340	-	-	1	94,340
McMinn	1	53,285	-	-	-	-	1	53,285
McNairy	1	25,832	-	-	-	-	1	25,832
Meigs	-	-	-	-	1	12,306	1	12,306
MONROE	-	-	-	-	1	46,357	1	46,357
MONTGOMERY	-	-	-	-	1	205,950	1	205,950
Moore	1	6,411	-	-	-	-	1	6,411
Morgan	1	21,579	-	-	-	-	1	21,579
Obion	-	-	-	-	1	30,267	1	30,267
Overton	1	22,068	-	-	-	-	1	22,068
Perry	1	8,064	-	-	-	-	1	8,064
Polk	1	16,898	-	-	-	-	1	16,898
Putnam	1	78,843	-	-	-	-	1	78,843
Rhea	1	33,044	-	-	-	-	1	33,044
Roane	-	-	-	-	1	53,140	1	53,140
Robertson	-	-	-	-	1	71,012	1	71,012
Rutherford	7	318,566	-	-	-	-	7	318,566
SCOTT	1	22,039	-	-	-	-	1	22,039
Sequatchie	1	14,876	-	-	-	-	1	14,876
Sevier	8	104,216	-	-	-	-	8	104,216
Shelby	16	935,764	-	-	-	-	16	935,764
Smith	1	19,942	-	-	-	-	1	19,942
Stewart	1	13,561	-	-	-	-	1	13,561
Sullivan	2	103,592	-	-	2	54,076	4	157,668
Sumner	2	187,149	-	-	-	-	2	187,149
Tipton	1	61,581	-	-	-	-	1	61,581

AT&T ESInet Deployments by State and County
Non-VIPER | VIPER 7 | Total Deployments

State & County	Non Viper		Viper 7		Viper 7 Upgrade in Process		AT&T ESInet Deployment	
	Count	Population	Count	Population	Count	Population	Total Count	Total Population
Trousdale	-	-	-	-	1	11,012	1	11,012
Unicoi	-	-	-	-	1	17,761	1	17,761
Union	-	-	-	-	1	19,688	1	19,688
VAN BUREN	1	5,765	-	-	-	-	1	5,765
Warren	1	40,878	-	-	-	-	1	40,878
Washington	-	-	-	-	1	128,607	1	128,607
Wayne	1	16,558	-	-	-	-	1	16,558
Weakley	2	33,415	-	-	-	-	2	33,415
WHITE	1	27,107	-	-	-	-	1	27,107
Williamson	2	231,729	-	-	-	-	2	231,729
Wilson	-	-	-	-	5	140,625	5	140,625
TX	225	9,516,840	108	3,417,782	36	634,420	369	13,569,042
Anderson	2	59,171	-	-	-	-	2	59,171
Andrews	1	17,497	-	-	-	-	1	17,497
Angelina	4	87,549	-	-	-	-	4	87,549
Aransas	-	-	1	25,437	-	-	1	25,437
Archer	1	9,188	-	-	-	-	1	9,188
Armstrong	-	-	-	-	1	1,956	1	1,956
Atascosa	1	50,583	-	-	-	-	1	50,583
Bailey	1	6,954	-	-	-	-	1	6,954
Bandera	1	22,651	-	-	-	-	1	22,651
Bastrop	1	9,701	1	75,060	-	-	2	84,761
Baylor	1	3,781	-	-	-	-	1	3,781
Bee	-	-	2	33,920	-	-	2	33,920
Bexar	27	1,889,687	-	-	-	-	27	1,889,687
Blanco	-	-	1	11,626	-	-	1	11,626
Bowie	4	97,384	-	-	-	-	4	97,384
Brazoria	-	-	8	260,496	-	-	8	260,496
Brewster	2	9,590	-	-	-	-	2	9,590
Brooks	-	-	1	7,134	-	-	1	7,134
Brown	1	38,859	-	-	-	-	1	38,859
Burnet	1	6,514	1	40,290	-	-	2	46,804

AT&T ESInet Deployments by State and County
Non-VIPER | VIPER 7 | Total Deployments

State & County	Non Viper		Viper 7		Viper 7 Upgrade in Process		AT&T ESInet Deployment	
	Count	Population	Count	Population	Count	Population	Total Count	Total Population
Caldwell	-	-	3	42,338	-	-	3	42,338
Callahan	1	14,224	-	-	-	-	1	14,224
Cameron	11	421,017	-	-	-	-	11	421,017
Camp	1	12,896	-	-	-	-	1	12,896
Carson	-	-	-	-	1	5,958	1	5,958
Cass	2	30,553	-	-	-	-	2	30,553
Castro	-	-	-	-	1	7,577	1	7,577
Chambers	-	-	2	44,944	-	-	2	44,944
Cherokee	2	53,787	-	-	-	-	2	53,787
Childress	-	-	-	-	1	7,071	1	7,071
Clay	1	10,310	-	-	-	-	1	10,310
Cochran	1	2,879	-	-	-	-	1	2,879
Coke	-	-	1	21,444	-	-	1	21,444
Coleman	1	8,494	-	-	-	-	1	8,494
Collin	2	287,677	-	-	-	-	2	287,677
Collingsworth	-	-	-	-	1	2,983	1	2,983
Colorado	-	-	1	22,566	-	-	1	22,566
Comal	2	148,373	-	-	-	-	2	148,373
Comanche	1	13,970	-	-	-	-	1	13,970
Concho	-	-	1	2,240	-	-	1	2,240
Cooke	2	39,977	-	-	-	-	2	39,977
Crane	1	4,645	-	-	-	-	1	4,645
Crockett	-	-	1	3,451	-	-	1	3,451
Crosby	1	5,801	-	-	-	-	1	5,801
Culberson	1	2,201	-	-	-	-	1	2,201
Dallam	-	-	-	-	1	13,490	1	13,490
DALLAS	10	1,635,442	-	-	-	-	10	1,635,442
Dawson	1	12,300	-	-	-	-	1	12,300
Deaf Smith	-	-	-	-	1	19,722	1	19,722
Delta	1	5,391	-	-	-	-	1	5,391
Denton	2	234,851	-	-	-	-	2	234,851
Dickens	1	2,573	-	-	-	-	1	2,573

AT&T ESInet Deployments by State and County
Non-VIPER | VIPER 7 | Total Deployments

State & County	Non Viper		Viper 7		Viper 7 Upgrade in Process		AT&T ESInet Deployment	
	Count	Population	Count	Population	Count	Population	Total Count	Total Population
Dimmit	-	-	-	-	1	11,127	1	11,127
Donley	-	-	-	-	1	3,248	1	3,248
Duval	-	-	2	11,083	-	-	2	11,083
Eastland	1	18,559	-	-	-	-	1	18,559
Edwards	-	-	1	1,938	-	-	1	1,938
El Paso	6	839,238	-	-	-	-	6	839,238
Fannin	2	35,404	-	-	-	-	2	35,404
Fayette	-	-	1	25,272	-	-	1	25,272
Fisher	1	3,956	-	-	-	-	1	3,956
Floyd	1	6,962	-	-	-	-	1	6,962
FRANKLIN	1	10,917	-	-	-	-	1	10,917
Frio	1	18,707	-	-	-	-	1	18,707
Gaines	1	20,880	-	-	-	-	1	20,880
Garza	1	6,488	-	-	-	-	1	6,488
Gillespie	1	26,920	-	-	-	-	1	26,920
Gray	-	-	-	-	1	22,472	1	22,472
Grayson	5	130,893	-	-	-	-	5	130,893
Gregg	5	43,578	-	-	-	-	5	43,578
Guadalupe	3	163,694	-	-	-	-	3	163,694
Hale	1	10,234	-	-	-	-	1	10,234
Hall	-	-	-	-	1	3,149	1	3,149
Hansford	-	-	-	-	1	5,378	1	5,378
Hardeman	1	6,562	-	-	-	-	1	6,562
Hardin	2	58,215	-	-	-	-	2	58,215
Harrison	2	68,839	-	-	-	-	2	68,839
Hartford	1	3,914	-	-	-	-	1	3,914
Haskell	1	5,687	-	-	-	-	1	5,687
Hays	1	43,480	3	171,005	-	-	4	214,485
Hemphill	-	-	-	-	1	3,949	1	3,949
Hidalgo	-	-	16	860,288	-	-	16	860,288
Hockley	1	23,562	-	-	-	-	1	23,562
Hopkins	2	36,606	-	-	-	-	2	36,606

AT&T ESInet Deployments by State and County
Non-VIPER | VIPER 7 | Total Deployments

State & County	Non Viper		Viper 7		Viper 7 Upgrade in Process		AT&T ESInet Deployment	
	Count	Population	Count	Population	Count	Population	Total Count	Total Population
Houston	1	23,366	-	-	-	-	1	23,366
HOWARD	1	36,085	-	-	-	-	1	36,085
Hudspeth	1	3,711	-	-	-	-	1	3,711
Hutchinson	-	-	-	-	1	20,928	1	20,928
Irion	-	-	1	2,709	-	-	1	2,709
Jack	1	8,253	-	-	-	-	1	8,253
Jasper	1	35,818	-	-	-	-	1	35,818
JEFFERSON	6	254,727	-	-	-	-	6	254,727
Jim Hogg	-	-	1	5,064	-	-	1	5,064
Jim Wells	-	-	2	40,240	-	-	2	40,240
Jones	1	14,251	-	-	-	-	1	14,251
Karnes	1	15,182	-	-	-	-	1	15,182
Kendall	1	45,686	-	-	-	-	1	45,686
Kent	1	755	-	-	-	-	1	755
Kerr	-	-	2	53,024	-	-	2	53,024
Kimble	-	-	1	4,565	-	-	1	4,565
Kinney	-	-	1	3,734	-	-	1	3,734
Kleberg	-	-	2	32,191	-	-	2	32,191
Knox	1	3,641	-	-	-	-	1	3,641
La Salle	-	-	1	7,671	-	-	1	7,671
Lamar	1	50,887	-	-	-	-	1	50,887
Lamb	1	13,230	-	-	-	-	1	13,230
Lee	-	-	1	17,183	-	-	1	17,183
Liberty	-	-	4	93,496	-	-	4	93,496
Lipscomb	-	-	-	-	1	3,317	1	3,317
Live Oak	-	-	1	13,014	-	-	1	13,014
Llano	-	-	1	21,210	-	-	1	21,210
Lynn	1	6,058	-	-	-	-	1	6,058
Marion	1	10,121	-	-	-	-	1	10,121
Martin	1	7,257	-	-	-	-	1	7,257
Mason	-	-	1	4,124	-	-	1	4,124
Matagorda	-	-	2	36,158	-	-	2	36,158

AT&T ESInet Deployments by State and County
Non-VIPER | VIPER 7 | Total Deployments

State & County	Non Viper		Viper 7		Viper 7 Upgrade in Process		AT&T ESInet Deployment	
	Count	Population	Count	Population	Count	Population	Total Count	Total Population
Maverick	-	-	1	29,079	1	28,836	2	57,915
McCulloch	-	-	1	8,355	-	-	1	8,355
Medina	1	53,723	-	-	-	-	1	53,723
Menard	-	-	1	2,087	-	-	1	2,087
Mitchell	1	8,433	-	-	-	-	1	8,433
Montague	2	20,526	-	-	-	-	2	20,526
Moore	-	-	-	-	1	22,952	1	22,952
Morris	1	12,267	-	-	-	-	1	12,267
Nacogdoches	2	68,231	-	-	-	-	2	68,231
New Haven	1	19,348	-	-	-	-	1	19,348
NEWTON	1	13,827	-	-	-	-	1	13,827
Nolan	1	14,254	-	-	-	-	1	14,254
Nueces	-	-	2	15,338	-	-	2	15,338
Ochiltree	-	-	-	-	1	10,307	1	10,307
Oldham	-	-	-	-	1	2,159	1	2,159
Orange	4	65,765	-	-	-	-	4	65,765
Panola	2	23,253	-	-	-	-	2	23,253
Parmer	-	-	-	-	1	9,807	1	9,807
Pecos	1	15,441	-	-	-	-	1	15,441
Polk	1	49,265	-	-	-	-	1	49,265
Potter	-	-	-	-	2	227,983	2	227,983
Presidio	1	9,097	-	-	-	-	1	9,097
Rains	1	11,668	-	-	-	-	1	11,668
Randall	-	-	-	-	2	43,763	2	43,763
Reagan	-	-	1	3,672	-	-	1	3,672
Real	-	-	-	-	1	3,528	1	3,528
Red River	1	11,736	-	-	-	-	1	11,736
Reeves	1	15,669	-	-	-	-	1	15,669
Refugio	-	-	1	7,181	-	-	1	7,181
Roberts	-	-	-	-	1	925	1	925
Runnels	1	10,478	-	-	-	-	1	10,478
Rusk	2	52,214	-	-	-	-	2	52,214

AT&T ESInet Deployments by State and County
Non-VIPER | VIPER 7 | Total Deployments

State & County	Non Viper		Viper 7		Viper 7 Upgrade in Process		AT&T ESInet Deployment	
	Count	Population	Count	Population	Count	Population	Total Count	Total Population
Sabine	1	10,715	-	-	-	-	1	10,715
San Augustine	1	8,362	-	-	-	-	1	8,362
San Jacinto	1	28,942	-	-	-	-	1	28,942
San Patricio	-	-	3	34,547	-	-	3	34,547
Schleicher	-	-	1	2,768	-	-	1	2,768
Scurry	1	16,584	-	-	-	-	1	16,584
Shackelford	1	3,426	-	-	-	-	1	3,426
Shelby	1	24,127	-	-	-	-	1	24,127
Sherman	-	-	-	-	1	2,958	1	2,958
Starr	-	-	2	49,177	3	44,628	5	93,805
Stephens	1	9,363	-	-	-	-	1	9,363
Stonewall	1	1,283	-	-	-	-	1	1,283
Sutton	-	-	1	3,598	-	-	1	3,598
Swisher	-	-	-	-	1	8,975	1	8,975
Terrell	1	787	-	-	-	-	1	787
Terry	1	12,648	-	-	-	-	1	12,648
Throckmorton	1	1,558	-	-	-	-	1	1,558
Titus	1	34,093	-	-	-	-	1	34,093
Tolland	1	10,045	-	-	-	-	1	10,045
Tom Green	-	-	4	99,878	-	-	4	99,878
Travis	14	1,103,168	4	130,345	-	-	18	1,233,513
Trinity	1	14,776	-	-	-	-	1	14,776
Tyler	1	22,514	-	-	-	-	1	22,514
Upshur	1	41,318	-	-	-	-	1	41,318
Upton	1	3,633	-	-	-	-	1	3,633
Uvalde	-	-	-	-	1	27,749	1	27,749
Val Verde	-	-	1	1,442	2	50,212	3	51,654
Van Zandt	1	51,410	-	-	-	-	1	51,410
Walker	-	-	1	77,300	-	-	1	77,300
Waller	-	-	2	52,671	-	-	2	52,671
Ward	1	11,252	-	-	-	-	1	11,252
Webb	-	-	3	280,288	-	-	3	280,288

AT&T ESInet Deployments by State and County
Non-VIPER | VIPER 7 | Total Deployments

State & County	Non Viper		Viper 7		Viper 7 Upgrade in Process		AT&T ESInet Deployment	
	Count	Population	Count	Population	Count	Population	Total Count	Total Population
Wharton	-	-	3	41,279	-	-	3	41,279
Wheeler	-	-	-	-	1	5,451	1	5,451
Wichita	6	132,424	-	-	-	-	6	132,424
Willacy	-	-	1	22,128	-	-	1	22,128
Williamson	-	-	6	547,545	-	-	6	547,545
Wilson	1	50,809	-	-	-	-	1	50,809
Winkler	1	7,623	-	-	-	-	1	7,623
Wood	2	44,629	-	-	-	-	2	44,629
Yoakum	1	8,456	-	-	-	-	1	8,456
Young	1	18,907	-	-	-	-	1	18,907
Zapata	-	-	1	14,189	-	-	1	14,189
Zavala	-	-	-	-	1	11,862	1	11,862
VA	109	5,761,886	16	1,455,744	23	1,116,491	148	8,334,121
Accomack	1	44,026	-	-	-	-	1	44,026
Alexandria City	2	155,810	-	-	-	-	2	155,810
Alleghany	-	-	-	-	1	14,910	1	14,910
Amelia	1	13,013	-	-	-	-	1	13,013
Amherst	1	31,605	-	-	-	-	1	31,605
Appomattox	1	15,911	-	-	-	-	1	15,911
Arlington	4	230,050	-	-	-	-	4	230,050
Augusta	1	75,558	-	-	-	-	1	75,558
Bath	1	4,292	-	-	-	-	1	4,292
Bedford	1	78,997	-	-	-	-	1	78,997
Bland	-	-	1	6,173	-	-	1	6,173
Botetourt	-	-	-	-	1	34,419	1	34,419
Bristol	1	16,762	-	-	-	-	1	16,762
Brunswick	1	16,384	-	-	-	-	1	16,384
Buchanan	1	21,004	-	-	-	-	1	21,004
Buckingham	1	17,065	-	-	-	-	1	17,065
Campbell	1	54,885	-	-	-	-	1	54,885
Caroline	1	30,772	-	-	-	-	1	30,772
Charles City	1	6,941	-	-	-	-	1	6,941

AT&T ESInet Deployments by State and County
Non-VIPER | VIPER 7 | Total Deployments

State & County	Non Viper		Viper 7		Viper 7 Upgrade in Process		AT&T ESInet Deployment	
	Count	Population	Count	Population	Count	Population	Total Count	Total Population
Charlotte	1	12,119	-	-	-	-	1	12,119
Charlottesville City	2	48,117	-	-	-	-	2	48,117
Chesapeake	1	242,634	-	-	-	-	1	242,634
Chesterfield	2	348,556	-	-	-	-	2	348,556
Clarke	1	14,523	-	-	-	-	1	14,523
Colonial Heights	1	17,370	-	-	-	-	1	17,370
Covington City	-	-	-	-	1	5,460	1	5,460
Craig	-	-	-	-	1	5,064	1	5,064
Culpeper	1	51,859	-	-	-	-	1	51,859
Cumberland	1	9,932	-	-	-	-	1	9,932
Danville	1	40,693	-	-	-	-	1	40,693
Dickenson	-	-	1	13,787	-	-	1	13,787
Dinwiddie	-	-	-	-	1	28,544	1	28,544
Emporia City	-	-	-	-	1	5,121	1	5,121
Essex	1	10,919	-	-	-	-	1	10,919
Fairfax	7	1,138,652	-	-	-	-	7	1,138,652
Fauquier	1	68,782	-	-	-	-	1	68,782
Floyd	-	-	-	-	2	15,795	2	15,795
Fluvanna	1	27,270	-	-	-	-	1	27,270
FRANKLIN	-	-	-	-	1	56,042	1	56,042
Franklin City	1	8,013	-	-	-	-	1	8,013
Frederick	1	88,355	-	-	-	-	1	88,355
Fredericksburg	1	29,144	-	-	-	-	1	29,144
Giles	1	16,720	-	-	-	-	1	16,720
Gloucester	1	37,348	-	-	-	-	1	37,348
Goochland	1	23,244	-	-	-	-	1	23,244
GREENE	1	19,819	-	-	-	-	1	19,819
Greensville	1	11,627	-	-	-	-	1	11,627
Halifax	1	33,911	-	-	-	-	1	33,911
Hampton	-	-	1	134,510	-	-	1	134,510
Hanover	-	-	-	-	1	107,766	1	107,766
Henrico	-	-	3	559,601	-	-	3	559,601

AT&T ESInet Deployments by State and County
Non-VIPER | VIPER 7 | Total Deployments

State & County	Non Viper		Viper 7		Viper 7 Upgrade in Process		AT&T ESInet Deployment	
	Count	Population	Count	Population	Count	Population	Total Count	Total Population
Henry	2	63,111	-	-	-	-	2	63,111
Highland	1	2,190	-	-	-	-	1	2,190
Hopewell	1	22,596	-	-	-	-	1	22,596
Isle of Wight	1	37,109	-	-	-	-	1	37,109
James City	1	76,523	-	-	-	-	1	76,523
King and Queen	1	7,025	-	-	-	-	1	7,025
King George	1	26,575	-	-	-	-	1	26,575
King William	1	16,939	-	-	-	-	1	16,939
Lancaster	1	10,783	-	-	-	-	1	10,783
Lee	-	-	1	21,983	-	-	1	21,983
Loudoun	-	-	1	406,850	1	0	2	406,850
Louisa	-	-	1	37,591	-	-	1	37,591
Lunenburg	1	12,196	-	-	-	-	1	12,196
Lynchburg City	1	82,168	-	-	-	-	1	82,168
Madison	1	13,295	-	-	-	-	1	13,295
Mathews County	-	-	1	8,802	-	-	1	8,802
Mecklenburg	-	-	-	-	1	30,650	1	30,650
Middlesex	1	10,679	-	-	-	-	1	10,679
MONTGOMERY	-	-	-	-	2	98,535	2	98,535
Nelson	1	14,930	-	-	-	-	1	14,930
New Kent	1	22,391	-	-	-	-	1	22,391
Newport News	1	179,225	-	-	-	-	1	179,225
Norfolk	1	242,742	-	-	-	-	1	242,742
Northumberland	1	12,147	-	-	-	-	1	12,147
Norton	-	-	-	-	1	3,666	1	3,666
Nottoway	1	15,232	-	-	-	-	1	15,232
Orange	1	37,051	-	-	-	-	1	37,051
Page	1	23,731	-	-	-	-	1	23,731
Patrick	-	-	1	17,608	-	-	1	17,608
Petersburg	1	31,567	-	-	-	-	1	31,567
Pittsylvania	-	-	1	60,949	-	-	1	60,949
Portsmouth City	1	94,632	-	-	-	-	1	94,632

AT&T ESInet Deployments by State and County
Non-VIPER | VIPER 7 | Total Deployments

State & County	Non Viper		Viper 7		Viper 7 Upgrade in Process		AT&T ESInet Deployment	
	Count	Population	Count	Population	Count	Population	Total Count	Total Population
Powhatan	2	29,189	-	-	-	-	2	29,189
Prince Edward	1	7,872	-	-	-	-	1	7,872
Prince George	1	38,082	-	-	-	-	1	38,082
Prince William	4	87,808	-	-	2	463,023	6	550,831
Pulaski	-	-	-	-	1	34,027	1	34,027
Radford	-	-	-	-	1	18,249	1	18,249
Rappahannock	1	7,252	-	-	-	-	1	7,252
Richmond	1	9,038	-	-	-	-	1	9,038
Roanoke	-	-	-	-	1	94,186	1	94,186
Roanoke City	-	-	1	99,143	-	-	1	99,143
Rockbridge	-	-	-	-	1	22,573	1	22,573
Rockingham	1	134,964	-	-	-	-	1	134,964
Russell	1	26,586	-	-	-	-	1	26,586
Salem	-	-	-	-	1	25,301	1	25,301
SCOTT	1	21,566	-	-	-	-	1	21,566
Shenandoah	1	43,616	-	-	-	-	1	43,616
Smyth	1	29,216	-	-	-	-	1	29,216
Southampton	1	17,631	-	-	-	-	1	17,631
Spotsylvania	2	136,215	-	-	-	-	2	136,215
Stafford	3	146,649	-	-	-	-	3	146,649
Staunton City	-	-	1	24,922	-	-	1	24,922
Suffolk	1	92,108	-	-	-	-	1	92,108
Surry	1	6,422	-	-	-	-	1	6,422
Sussex	1	11,237	-	-	-	-	1	11,237
Tazewell	1	40,595	-	-	-	-	1	40,595
Twin	-	-	-	-	1	53,160	1	53,160
Virginia Beach	2	450,189	-	-	-	-	2	450,189
Warren	3	40,164	-	-	-	-	3	40,164
Washington	1	53,740	-	-	-	-	1	53,740
Waynesboro	1	22,630	-	-	-	-	1	22,630
Westmoreland	1	18,015	-	-	-	-	1	18,015
Winchester	1	28,078	-	-	-	-	1	28,078

AT&T ESInet Deployments by State and County
Non-VIPER | VIPER 7 | Total Deployments

State & County	Non Viper		Viper 7		Viper 7 Upgrade in Process		AT&T ESInet Deployment	
	Count	Population	Count	Population	Count	Population	Total Count	Total Population
Wise	-	-	1	35,647	-	-	1	35,647
Wythe	-	-	1	28,178	-	-	1	28,178
York	1	95,505	-	-	-	-	1	95,505
WI	66	3,172,109	14	1,082,909	5	246,481	85	4,501,499
Adams	1	20,875	-	-	-	-	1	20,875
Ashland	1	0	-	-	-	-	1	0
Barron	1	46,843	-	-	-	-	1	46,843
Bayfield	1	32,427	-	-	-	-	1	32,427
Brown	2	269,591	-	-	-	-	2	269,591
Burnett	1	17,036	-	-	-	-	1	17,036
Chippewa	1	66,865	-	-	-	-	1	66,865
COLUMBIA	1	54,488	-	-	-	-	1	54,488
Dane	3	542,124	-	-	-	-	3	542,124
Dodge	-	-	-	-	1	89,313	1	89,313
Door	1	30,526	-	-	-	-	1	30,526
Douglas	1	44,203	-	-	-	-	1	44,203
Eau Claire	2	106,452	-	-	-	-	2	106,452
Forest	1	9,258	-	-	-	-	1	9,258
Green Lake	1	19,229	-	-	-	-	1	19,229
Iowa	1	23,756	-	-	-	-	1	23,756
Iron	1	6,178	-	-	-	-	1	6,178
JEFFERSON	1	49,438	-	-	1	12,412	2	61,850
Juneau	1	26,866	-	-	-	-	1	26,866
Kenosha	2	168,732	-	-	-	-	2	168,732
LAFAYETTE	1	16,784	-	-	-	-	1	16,784
LINCOLN	1	28,376	-	-	-	-	1	28,376
Litchfield	1	22,885	-	-	-	-	1	22,885
Manitowoc	-	-	1	81,505	-	-	1	81,505
Marathon	2	137,648	-	-	-	-	2	137,648
Marinette	1	41,875	-	-	-	-	1	41,875
Marquette	1	15,792	-	-	-	-	1	15,792
Menominee	1	4,197	-	-	-	-	1	4,197

AT&T ESInet Deployments by State and County
Non-VIPER | VIPER 7 | Total Deployments

State & County	Non Viper		Viper 7		Viper 7 Upgrade in Process		AT&T ESInet Deployment	
	Count	Population	Count	Population	Count	Population	Total Count	Total Population
Milwaukee	4	93,783	4	100,649	-	-	8	194,432
MONROE	1	46,193	-	-	-	-	1	46,193
Oconto	-	-	1	39,633	-	-	1	39,633
Oneida	2	38,229	-	-	-	-	2	38,229
Outagamie	1	191,545	-	-	-	-	1	191,545
Ozaukee	1	80,097	-	-	-	-	1	80,097
Pepin	1	7,441	-	-	-	-	1	7,441
Pierce	1	42,587	-	-	-	-	1	42,587
Polk	1	45,709	-	-	-	-	1	45,709
Portage	2	70,468	-	-	-	-	2	70,468
Price	1	14,102	-	-	-	-	1	14,102
Racine	-	-	2	196,896	-	-	2	196,896
Richland	1	17,212	-	-	-	-	1	17,212
Rock	-	-	1	164,381	-	-	1	164,381
Sauk	-	-	-	-	1	65,697	1	65,697
Sawyer	1	18,559	-	-	-	-	1	18,559
Shawano	1	40,859	-	-	-	-	1	40,859
Sheboygan	2	117,747	-	-	-	-	2	117,747
St. Croix	2	93,536	-	-	-	-	2	93,536
Trempealeau	1	30,899	-	-	-	-	1	30,899
Vernon	1	30,915	-	-	-	-	1	30,915
Vilas	1	23,520	-	-	-	-	1	23,520
Walworth	2	98,295	-	-	-	-	2	98,295
Washburn	1	16,757	-	-	-	-	1	16,757
Washington	2	100,607	-	-	-	-	2	100,607
Waukesha	1	0	4	329,127	2	79,059	7	408,186
Waupaca	1	51,570	-	-	-	-	1	51,570
Waushara	1	24,828	-	-	-	-	1	24,828
Winnebago	-	-	1	170,718	-	-	1	170,718
Wood	1	74,207	-	-	-	-	1	74,207
WV	1	29,405	-	-	1	44,194	2	73,599
Marshall	1	29,405	-	-	-	-	1	29,405

AT&T ESInet Deployments by State and County
Non-VIPER | VIPER 7 | Total Deployments

State & County	Non Viper		Viper 7		Viper 7 Upgrade in Process		AT&T ESInet Deployment	
	Count	Population	Count	Population	Count	Population	Total Count	Total Population
Ohio	-	-	-	-	1	44,194	1	44,194
Grand Total	1,103	48,804,546	307	21,014,695	292	11,939,937	1,702	81,759,178

