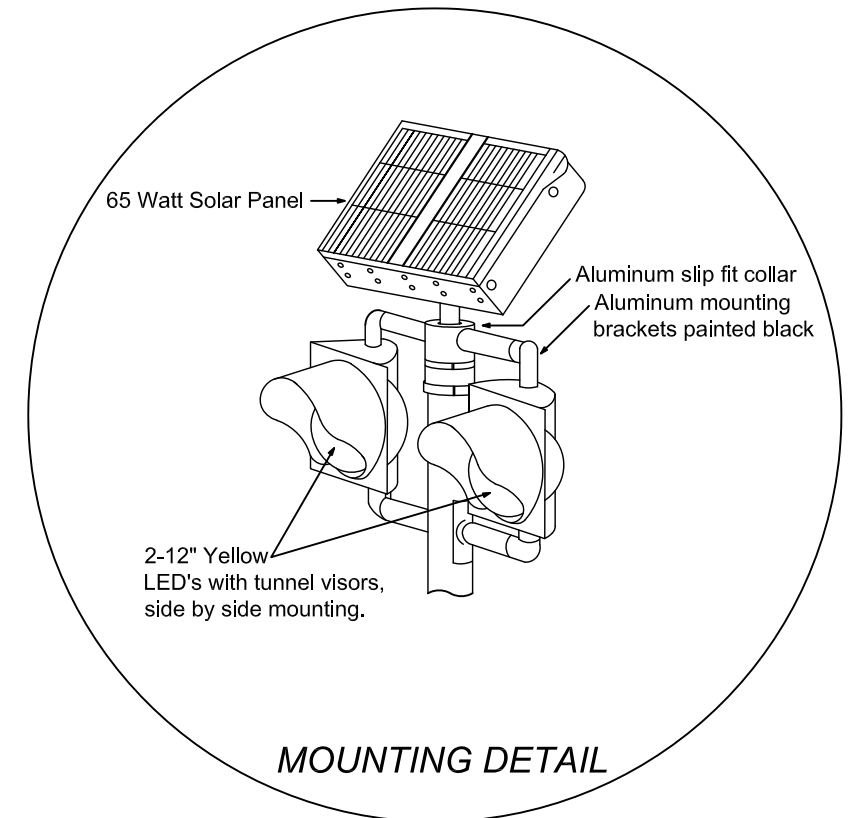
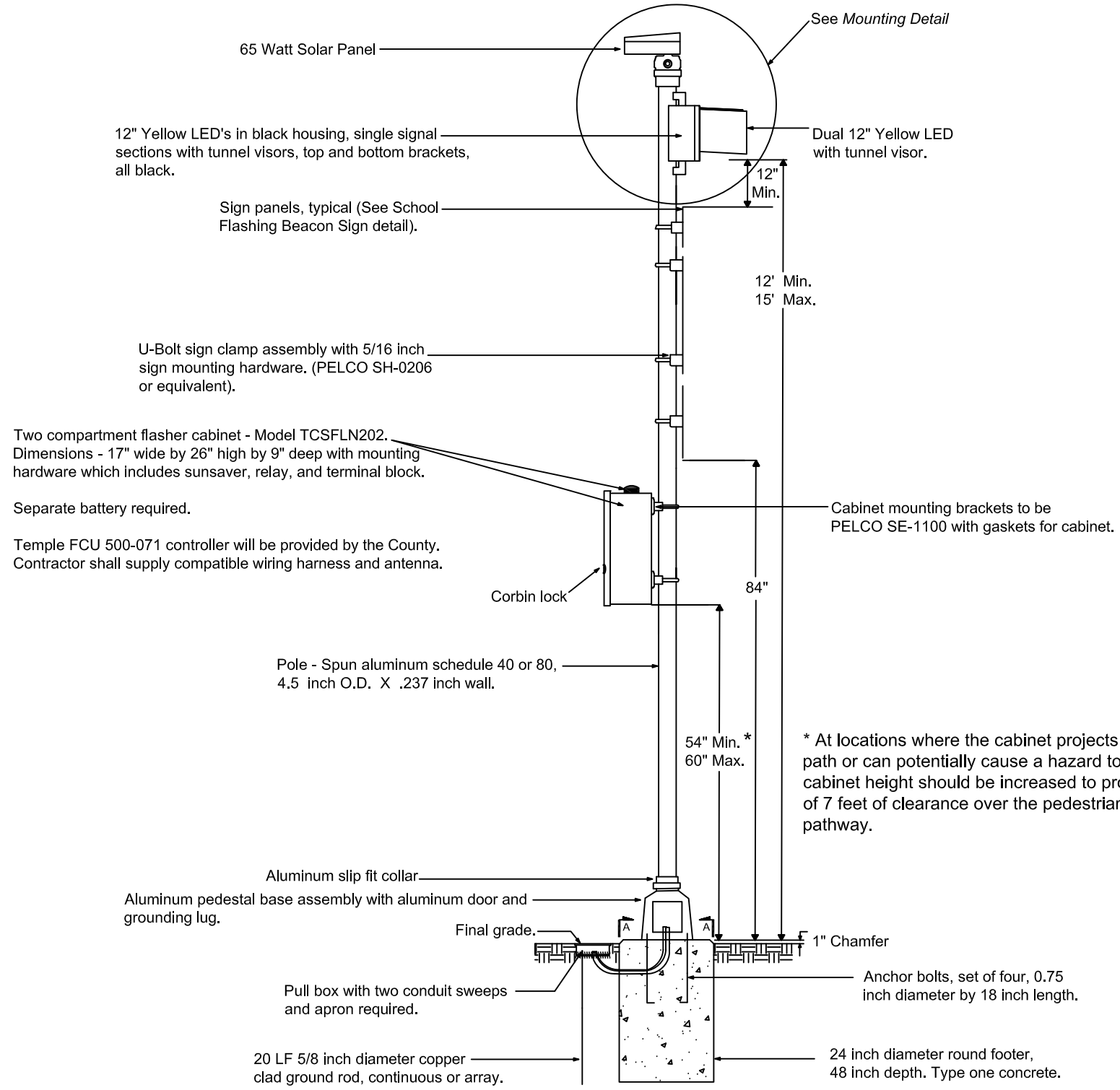
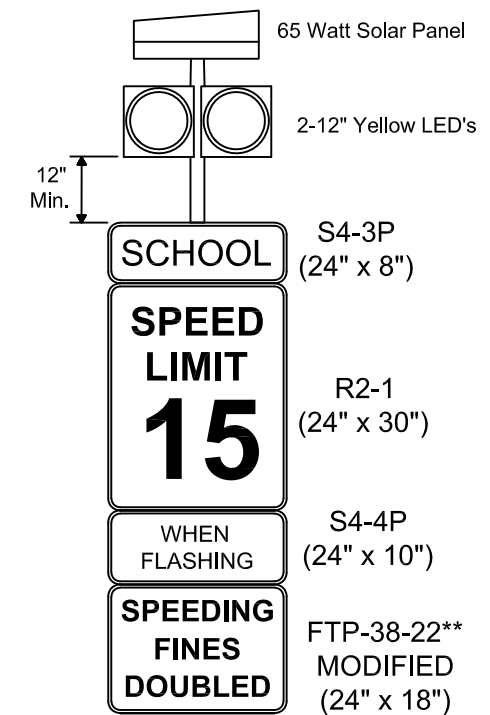


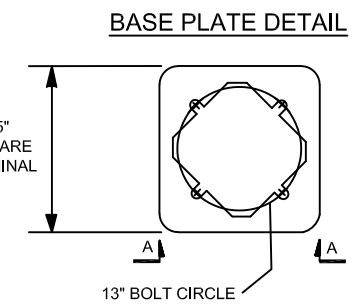
GROUND MOUNTED SOLAR POWERED SCHOOL FLASHING BEACON



SCHOOL FLASHING BEACON SIGN DETAIL



****OPTIONAL
WHEN
CLEARANCE
ALLOWS**



REVISIONS	
DATE	DESCRIPTION
03-23-2022	UPDATED CABINET REQUIREMENTS
08-25-2022	UPDATED CONTROLLER REQUIREMENTS
12-02-2022	UPDATED PULL BOX REQUIREMENTS



PUBLIC WORKS DEPARTMENT TRAFFIC ENGINEERING DIVISION	
DESIGN BY: REBECCA MARTINEZ, P.E.	SCALE: NTS
DRAWN BY: STEPHON RAMOUTAR	
CHECKED BY: YVES D'ANJOU, P.E.	

**SOLAR SCHOOL FLASHER DETAILS
-GROUND MOUNT**

SHEET NO.
1 OF 1