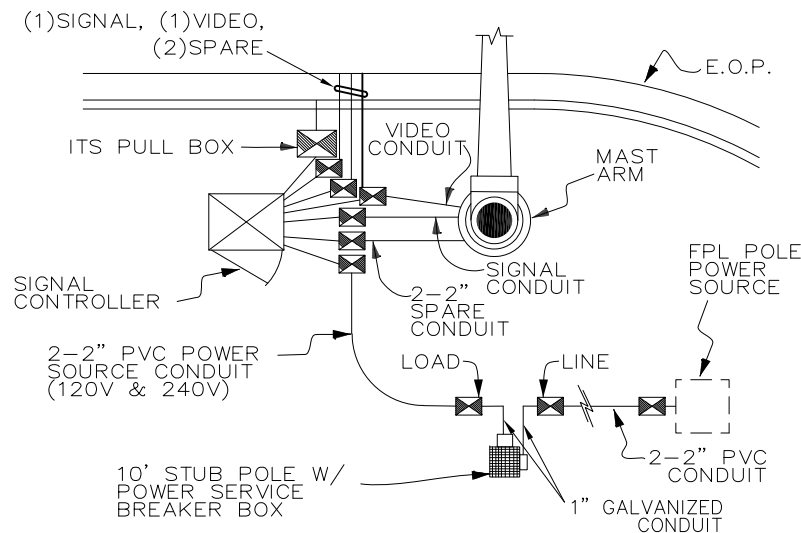
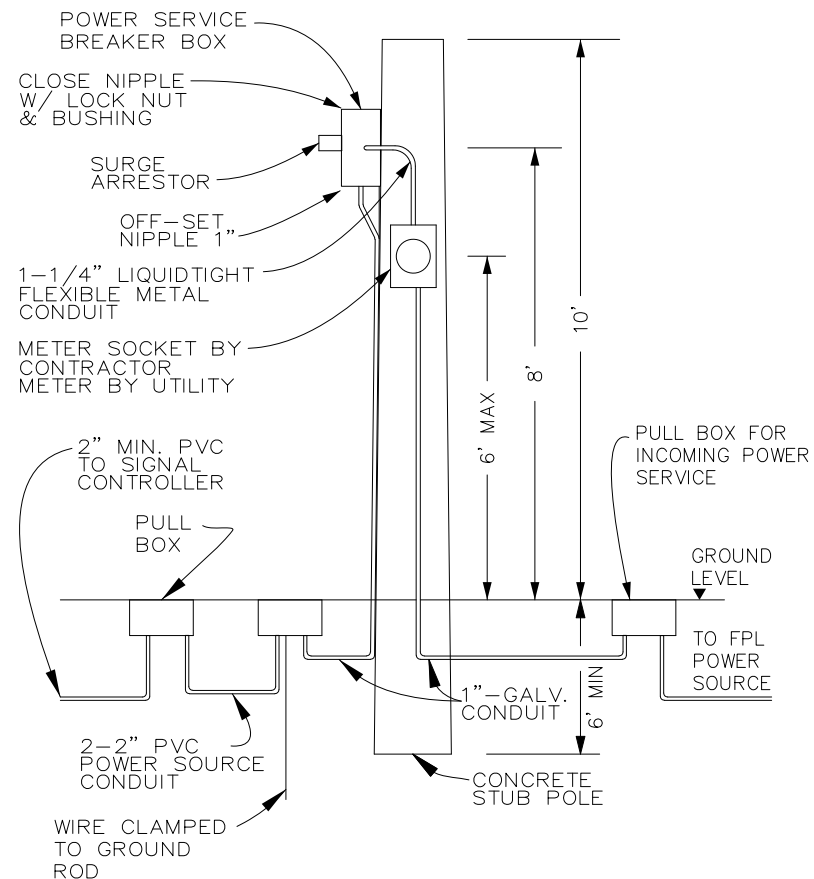


PLAN VIEW

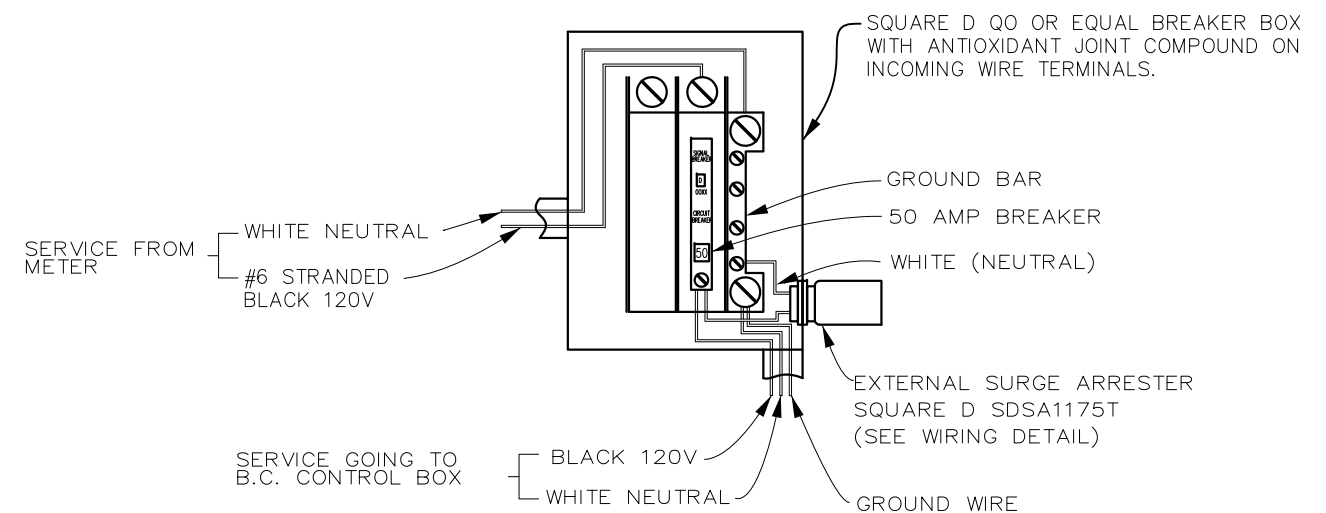


- NOTES:
1. LENGTHS OF CONDUIT ARE DETERMINED BY SUBJECT DESIGN.
2. MIN. 6 STANDARD PULL BOXES NEXT TO CONTROLLER. = PULL BOXES USED

STUB POLE DETAIL

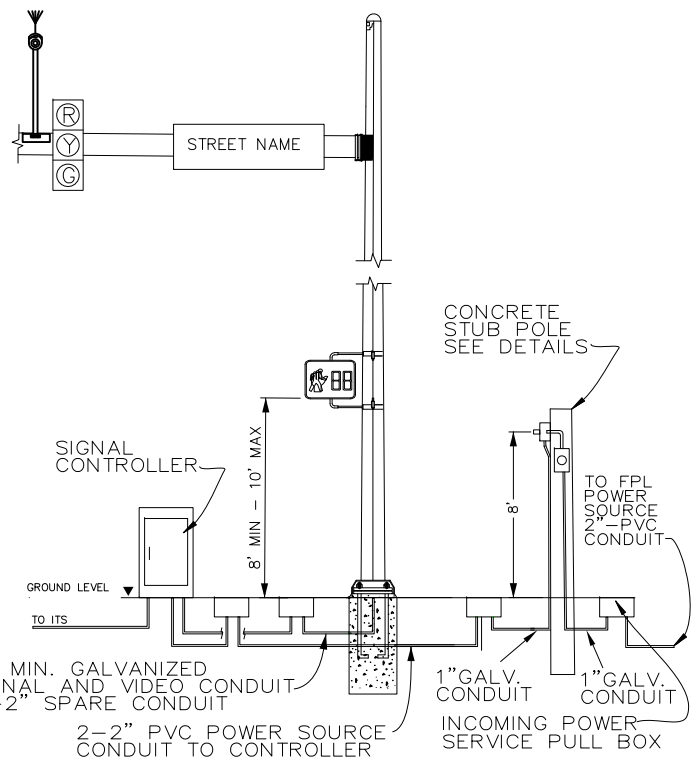


TRIPLEX SERVICE DISCONNECT/BREAKER ASSEMBLY

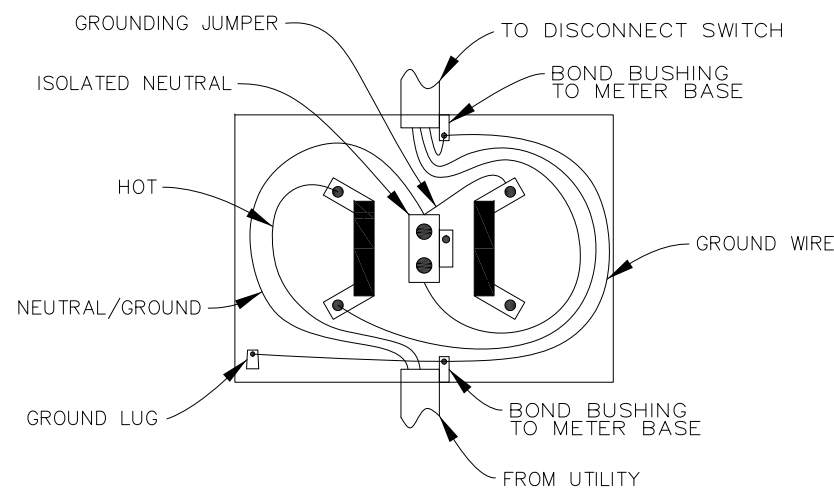


- NOTES:
1. ALL TERMINALS MUST HAVE DIE ELECTRIC GREASE TO PREVENT CORROSION.
2. SURGE ARRESTOR SHALL BE WIRED ON THE LOAD SIDE OF THE DISCONNECT.
3. DISCONNECT SHALL USE BREAKERS, NO FUSES OR EXTERNAL SWITCHES PERMITTED.

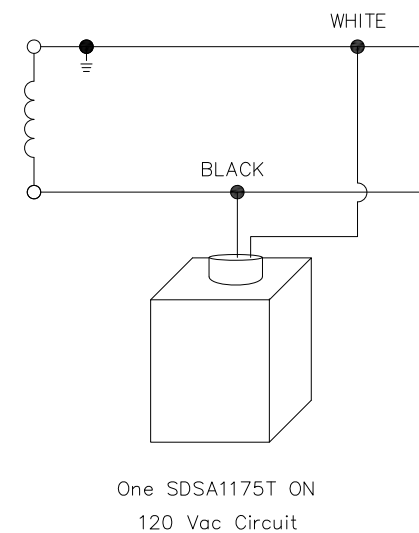
MAST ARM ASSEMBLY



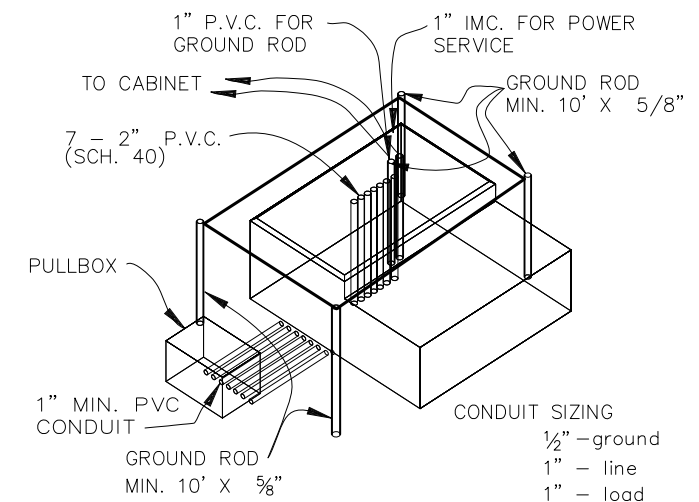
METER SOCKET DETAIL



SURGE ARRESTER WIRING DETAILS



TYPICAL GROUND ROD ARRAY



- NOTES:
1. FOUR (4) PERIMETER GROUND RODS SHALL BE BURIED 6" BELOW GROUND LEVEL (BONDED) 10 FT. MIN. LENGTH.
2. ALL DUCTS SHALL BE SEALED WITH PERGUM OR EQUAL SUBSTANCE.

- NOTES:
1. GROUND CAN BE BONDED TO SPAN WIRE OR TO 10' MIN. GROUND ROD FROM PULL BOX. (AS SHOWN)
2. NEW INSTALLATIONS REQUIRE COMPLETE HARDWARE AS SHOWN FOR THAT OPTION: INSTALLATION AT EXISTING SIGNALS REQUIRE NEW DEVICE WIRE, SECOND BREAKER, CONDUIT RISER AND OTHER ASSOCIATED HARDWARE FOR A COMPLETE AND OPERATIONAL FINISHED PRODUCT. GROUNDING IS REQUIRED FOR ALL PROJECTS.
3. POWER SERVICE PAY ITEM DOES NOT INCLUDE PULL BOXES.
4. DISCONNECT STUB POLE TO BE LOCATED WITHIN 50' OF POWER SOURCE. IF DISTANCE FROM STUB POLE TO CONTROL CABINET IS GREATER THAN 250', ADD A SECOND STUB POLE AND SERVICE DISCONNECT.
5. MINIMUM CLEARANCE FROM BOTTOM OF NIPPLE TO GROUND LEVEL IS TO BE 8 FEET.
6. METER TO BE ORIENTED ON SIDE OF CONCRETE POLE SO WHEN READING IT YOU ARE FACING ON-COMING TRAFFIC.
7. TERMINATE CONDUITS IN METER SOCKET AND SERVICE DISCONNECT WITH INSULATED GROUNDING BUSHING WITH SOLDERLESS LUG.

REVISIONS	
DATE	DESCRIPTION
01-10-2018	UPDATED STREET NAME SIGN LOCATION
07-29-2019	UPDATED NOTES
08-11-2021	UPDATED STUB POLE DEPTH



PUBLIC WORKS DEPARTMENT TRAFFIC ENGINEERING DIVISION	
DESIGN BY: REBECCA MARTINEZ, P.E.	SCALE: NTS
DRAWN BY: STEPHON RAMOUTAR	
CHECKED BY: YVES D'ANJOU, P.E.	

POWER SERVICE
DETAILS

SHEET
NO.

1 OF 1