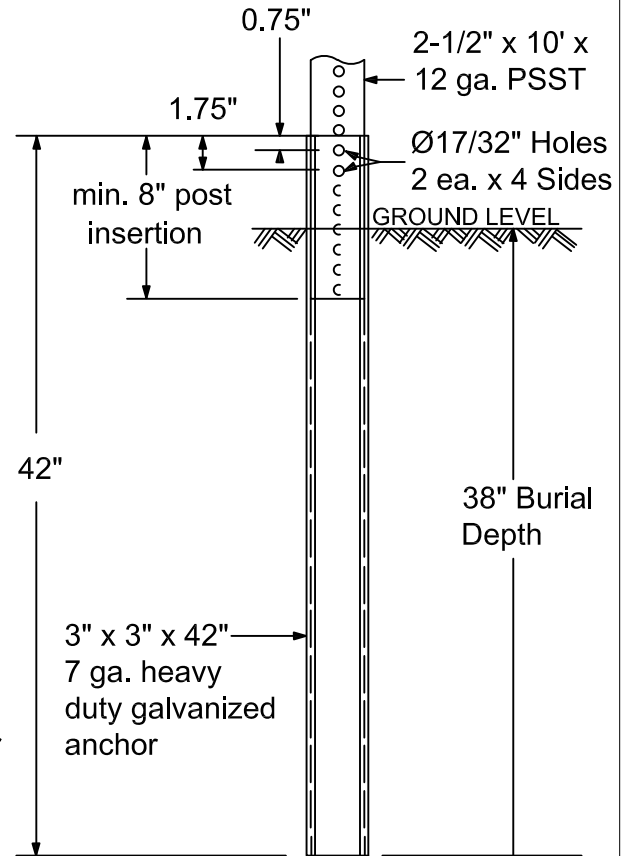
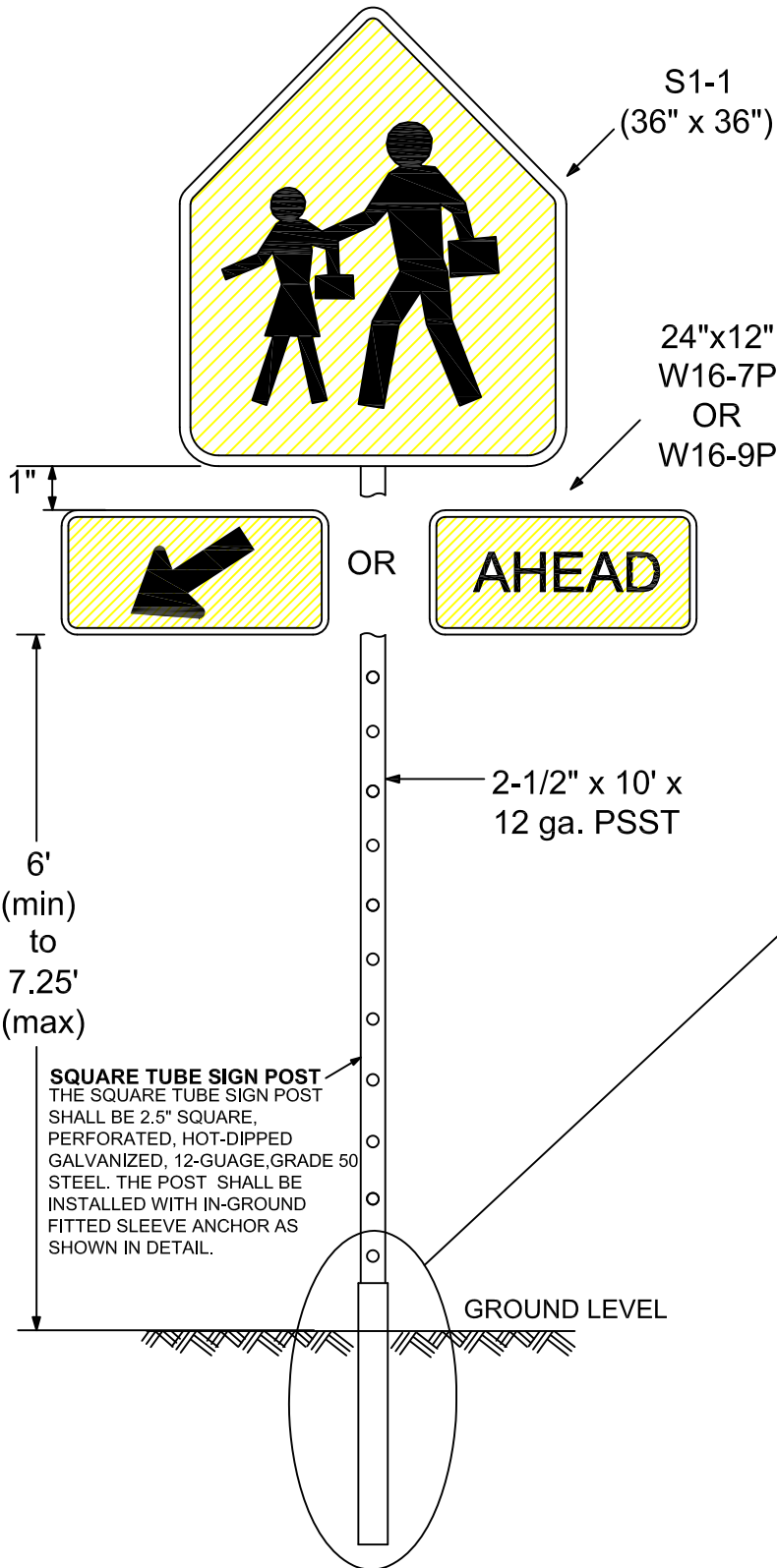
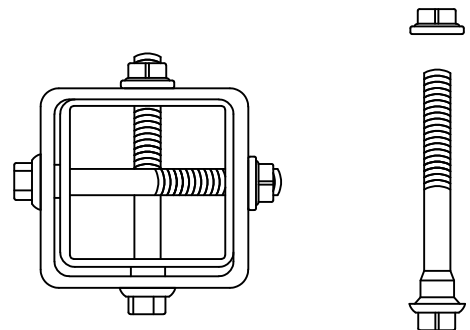


S1-1 (36"x 36") & SUPPLEMENTAL SIGN ASSEMBLY



Hardware includes 2 each 3/8" x 3-1/2" GR. 8 Flanged Shoulder Bolt and Flange Nut.



NOTE: NOT FOR USE WITH RECTANGULAR RAPID FLASHING BEACONS



PUBLIC WORKS DEPARTMENT
 TRAFFIC ENGINEERING DIVISION

S1-1(36"x36") & SUPPLEMENTAL SIGN ASSEMBLY	
REVISION: 11-19-18	SCALE: NTS
	DESIGN BY: Yves d'Anjou, P.E.
	DRAWN BY: Stephon Ramoutar
SHEET 1 OF 1	CHECKED BY: Andrew Sebo, P.E., PTOE