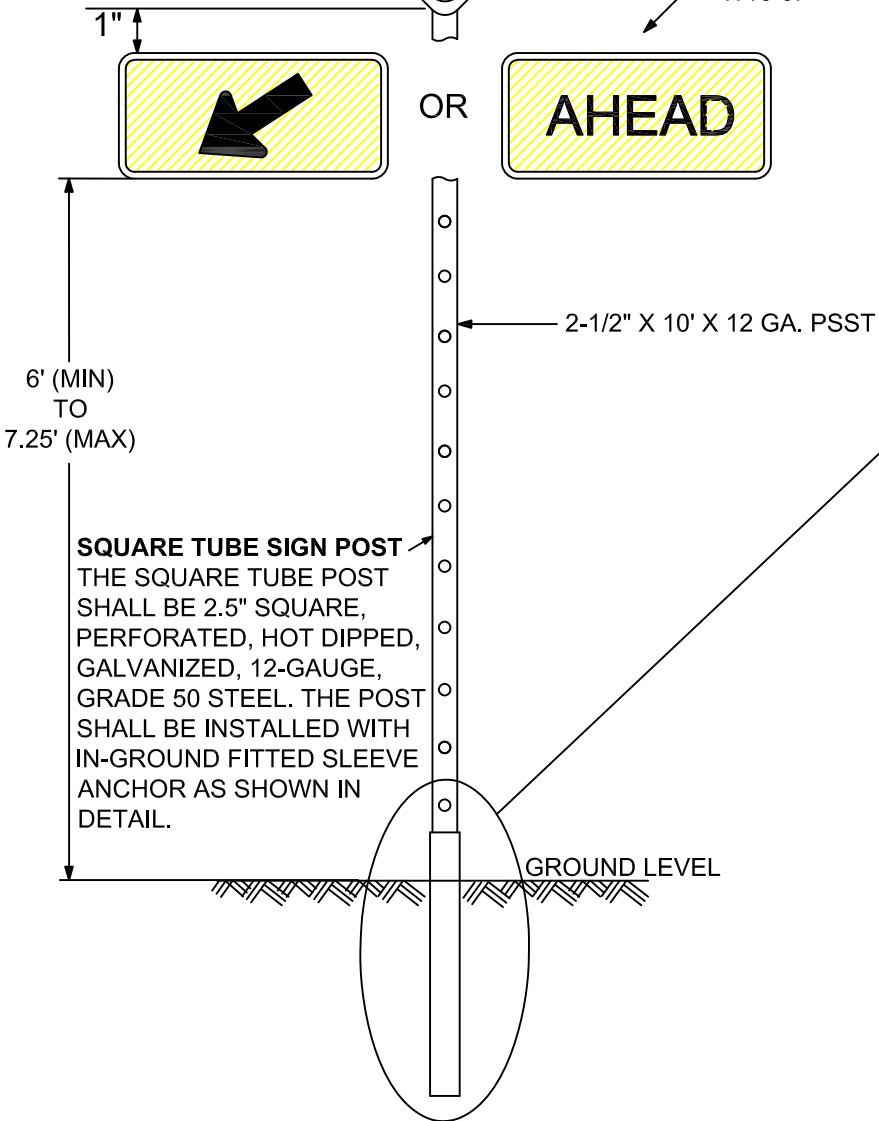
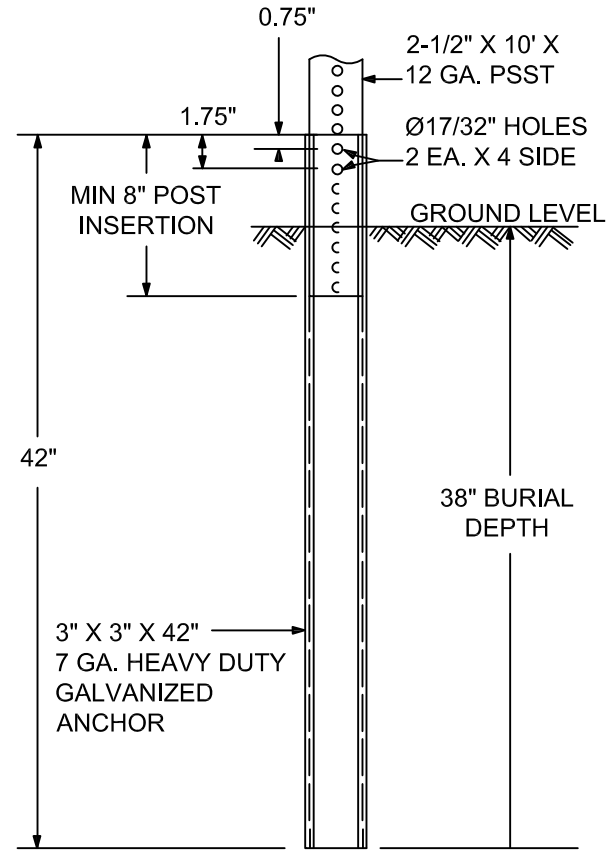
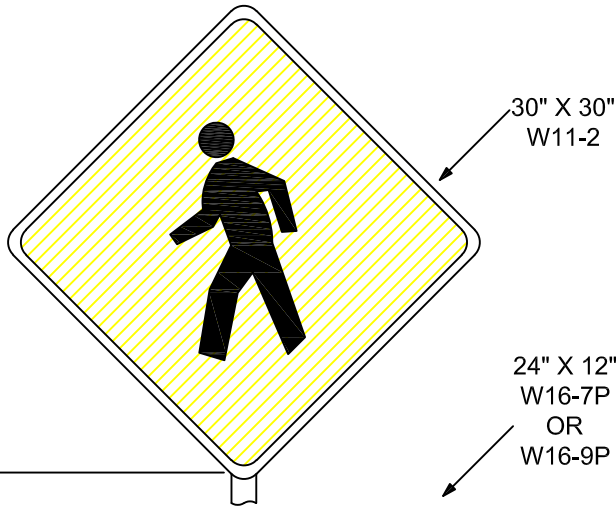
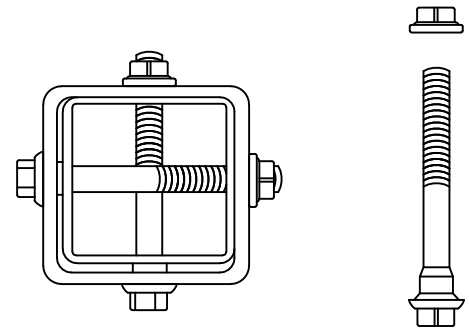


W11-2 (30"x 30") & SUPPLEMENTAL (24"x12") SIGN ASSEMBLY



HARDWARE INCLUDES 2 EACH 3/8" X 3-1/2" GR.8 FLANGED SHOULDER BOLT AND FLANGE NUT.



1. SCHOOL ZONE AND PEDESTRIAN SIGNS SHALL BE COMPRISED OF REFLECTIVE FLUORESCENT YELLOW-GREEN SHEETING. (SEE BCTED TECHNICAL POLICY MEMO #TPM-16-001 ON BCTED WEBSITE)
2. NOT FOR USE WITH RECTANGULAR RAPID FLASHING BEACONS



PUBLIC WORKS DEPARTMENT
TRAFFIC ENGINEERING DIVISION

W11-2 (30"x 30") & SUPPLEMENTAL (24"x 12") SIGN ASSEMBLY	
REVISION: 11-15-18	SCALE: NTS
	DESIGN BY: YVES D'ANJOU, P.E.
	DRAWN BY: STEPHON RAMOUTAR
SHEET 1 OF 1	CHECKED BY: ANDREW SEBO, P.E., PTOE